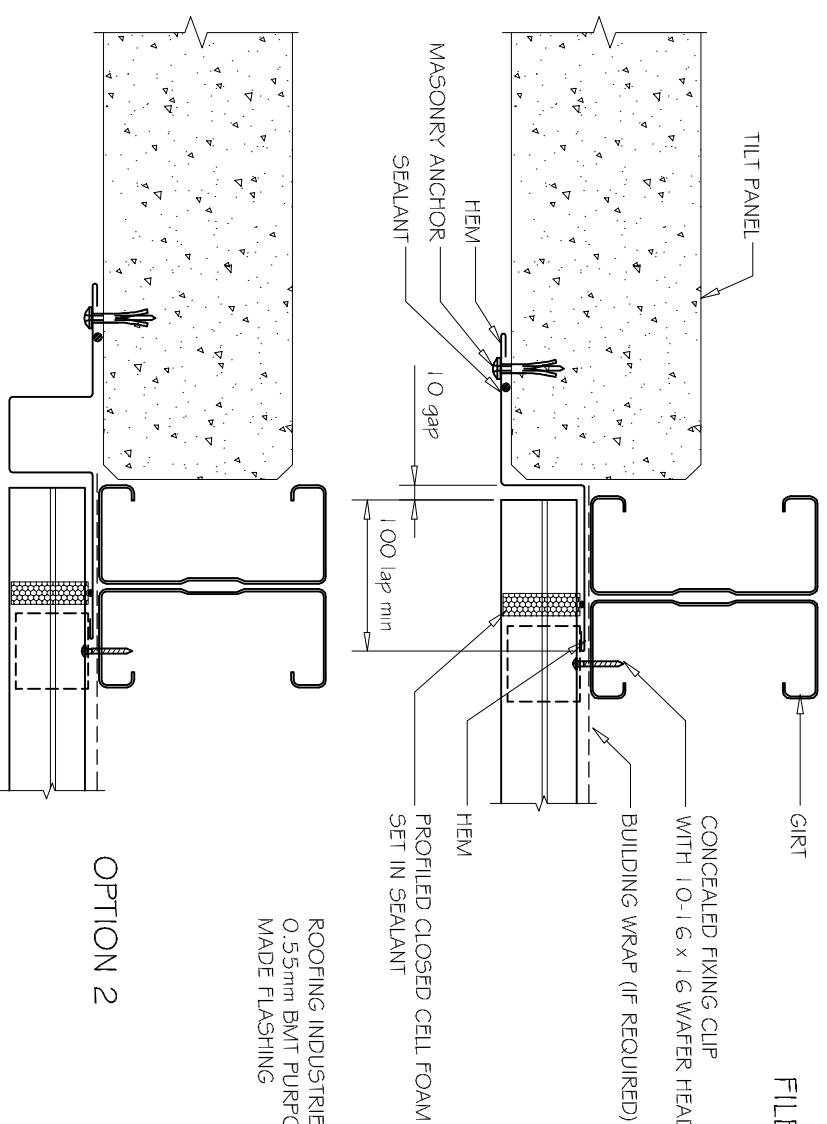
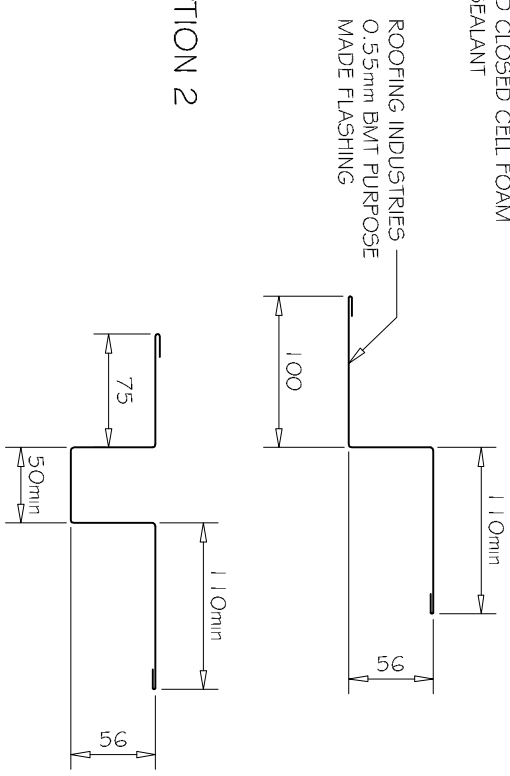


COMMERCIAL MULTIDEK WALL CLADDING TILT PANEL / HORIZONTAL CLADDING JUNCTION

DETAIL NO. CMDW029A
 DATE DRAWN 28/02/12
 FILE REFERENCE R1-CMDW029A.DWG



OPTION 2



B TILT PANEL HORIZONTAL CLADDING JUNCTION
 1:5

- NOTES:
- These details are generally in compliance with the NZ Metal Roof & Wall Cladding Code of Practice and in some cases specific details by Roofing Industries!
 - The building designer is ultimately responsible to ensure that details used meet the requirements of the NZ Building Code for the specific project.
 - Details of the supporting structure are indicative only and are the responsibility of the building designer.
 - Thermal break or cavity battens may be required in some circumstances.
 - Underlay selection and building wrap types are the responsibility of the designer.
 - Alternative supports to galvanised netting should be used in severe coastal environments including when aluminum is used.
 - These details are for Roofing Industries profiles as nominated and may not be applicable to other profiles.
 - This drawing is the copyright of Roofing Industries and can only be copied or reproduced with their permission.
 - Further information can be obtained from the NZ Metal Roof & Wall Cladding Code of Practice www.metaloof.co.nz & www.roof.co.nz
 - Where necessary adjust drawings for purlin battens or cavity battens.
 - Details are for steel based materials, other substrate may require some changes.



©COPYRIGHT DETAIL 2012