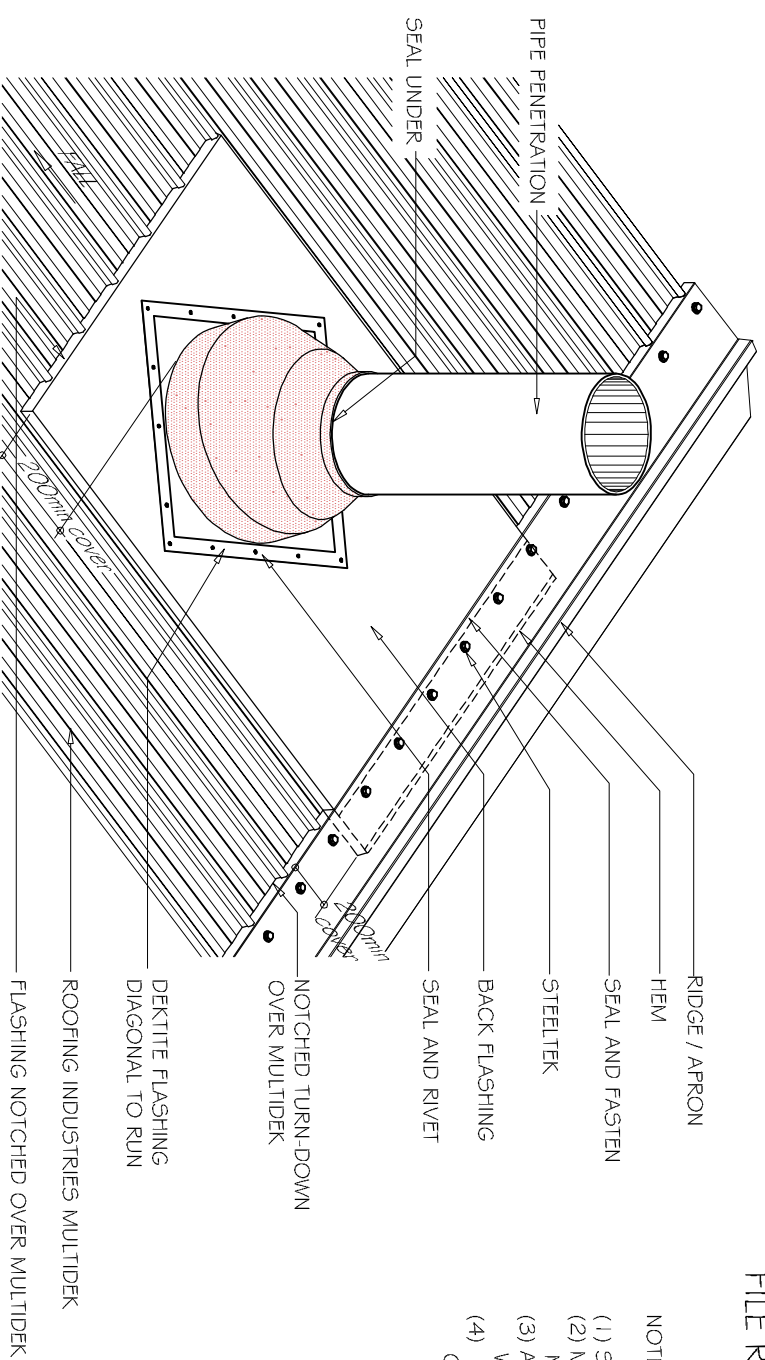


# COMMERCIAL MULTIDEK ROOFING PENETRATION ROUND & WATERSHED TO UNDER RIDGE



## NOTES:

- These details are generally in compliance with the NZ Metal Roof & Wall Cladding Code of Practice and in some cases specific details by Roofing Industries.
- The building designer is ultimately responsible to ensure that details used meet the requirements of the NZ Building Code for the specific project.
- Details of the supporting structure are indicative only and are the responsibility of the building designer.
- Thermal break or cavity battens may be required in some circumstances.
- Underlay selection and building wrap types are the responsibility of the designer, Alternative support to galvanised netting should be used in severe coastal environments, including when aluminum is used.
- These details are for Roofing Industries profiles as nominated and may not be applicable to other profiles.
- This drawing is the copyright of Roofing Industries and can only be copied or reproduced with their permission.
- Further information can be obtained from the NZ Metal Roof & Wall Cladding Code of Practice [www.metaloof.co.nz](http://www.metaloof.co.nz) & [www.roof.co.nz](http://www.roof.co.nz)
- Where necessary, adjust drawings for purlin battens or cavity battens.
- Details are for steel based materials, other substrate may require some changes.

DETAIL NO.

CMDR017A

DATE DRAWN

21/02/12

FILE REFERENCE

R1-CMDR017A.DWG

## NOTES:

- (1) SUITABLE FOR PIPES UP TO 500mm DIAMETER.
- (2) MAX ROOF PITCH FOR THIS FLASHING 45°, MIN PITCH 3°
- (3) ADDITIONAL SUPPORT FRAMING MAYBE REQUIRED WHEN PENETRATION EXCEEDS 200mm THROUGH ROOF.
- (4) REFER TO NZMRM CODE OF PRACTICE FOR CATCHMENT AREA LIMITATIONS.

©COPYRIGHT DETAIL 2012

