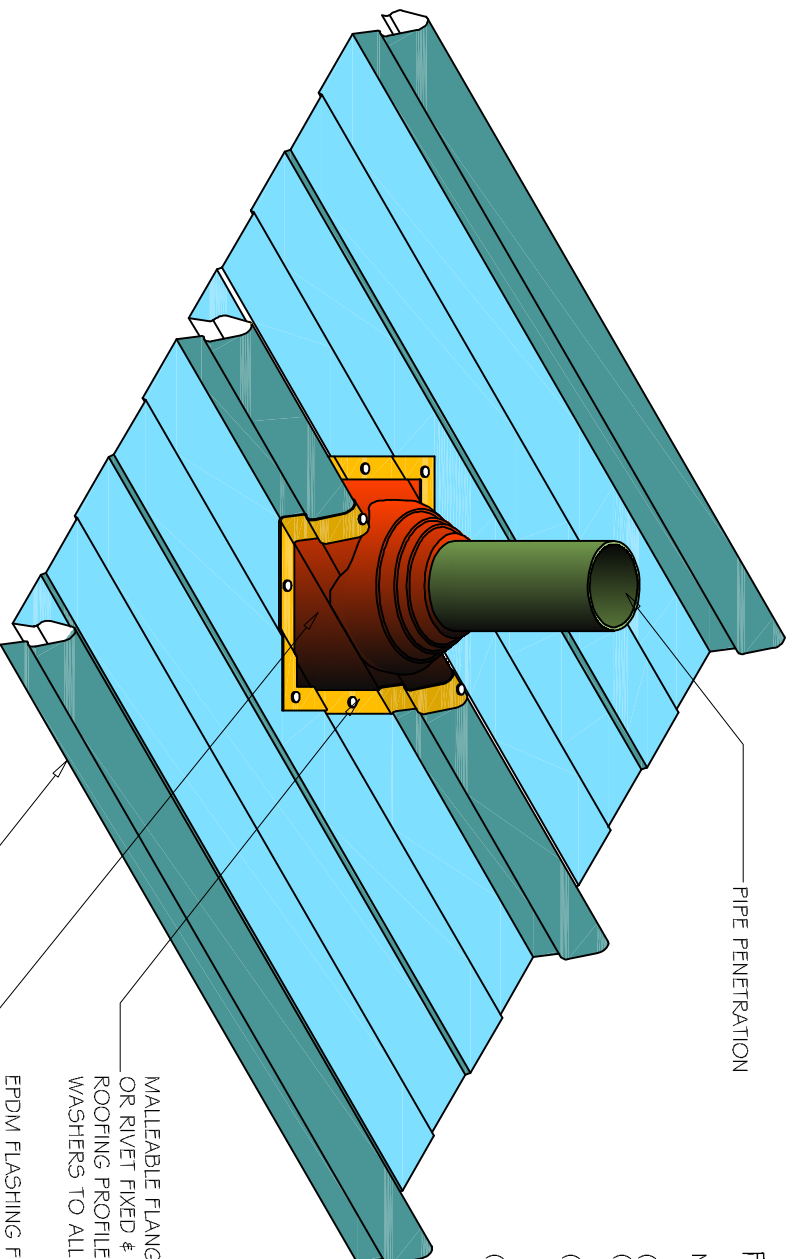


# COMMERCIAL MULTIDEK ROOFING ROUND PENETRATION FLASHING - EPDM



PIPE PENETRATION

MALLEABLE FLANGE SCREW  
OR RIVET FIXED & SEALED TO  
ROOFING PROFILE. FIT NEOPRENE  
WASHERS TO ALL SCREW FIXINGS

EPDM FLASHING FIXED DIAGONALLY TO  
ROOFING PROFILE TO MINIMISE HOLDING  
OF DISCHARGE WATER

ROOFING INDUSTRIES MULTIDEK

DETAIL NO. CMDR017A-1  
DATE DRAWN 21/02/12  
FILE REFERENCE R1-CMDR017A-1.DWG

NOTES:

- (1) FOR PIPES UP TO 85mm DIAMETER.
- (2) MAX ROOF PITCH FOR THIS FLASHING 45°, MIN PITCH 3°.
- (3) NZMRM CODE OF PRACTICE ALLOWS LARGER THAN 85mm DIAMETER PENETRATION PROVIDED THE FLASHING DOES NOT EXTEND TO MORE THAN 50% OF PAN WIDTH.
- (4) INSTALL ADJACENT TO FURLIN FOR SUPPORT WHERE POSSIBLE. NO PANS TO BE FULLY BLOCKED OFF BY PIPE OR DEKITE.

NOTES:

- These details are generally in compliance with the NZ Metal Roof & Wall Cladding Code of Practice and in some cases specific details by Roofing Industries.
- The building designer is ultimately responsible to ensure that details used meet the requirements of the NZ Building Code for the specific project.
- Details of the supporting structure are indicative only and are the responsibility of the building designer.
- Thermal break or cavity battens may be required in some circumstances.
- Underlay selection and building wrap types are the responsibility of the designer, Alternative support to galvanised netting should be used in severe coastal environments including when aluminium is used.
- These details are for Roofing Industries profiles as nominated and may not be applicable to other profiles.
- This drawing is the copyright of Roofing Industries and can only be copied or reproduced with their permission.
- Further information can be obtained from the NZ Metal Roof & Wall Cladding Code of Practice [www.metlroofer.org.nz](http://www.metlroofer.org.nz) & [www.roof.co.nz](http://www.roof.co.nz)
- Where necessary, adjust drawings for purlin battens or cavity battens.
- Details are for steel based materials, other substrate may require some changes.

©COPYRIGHT DETAIL 2012

