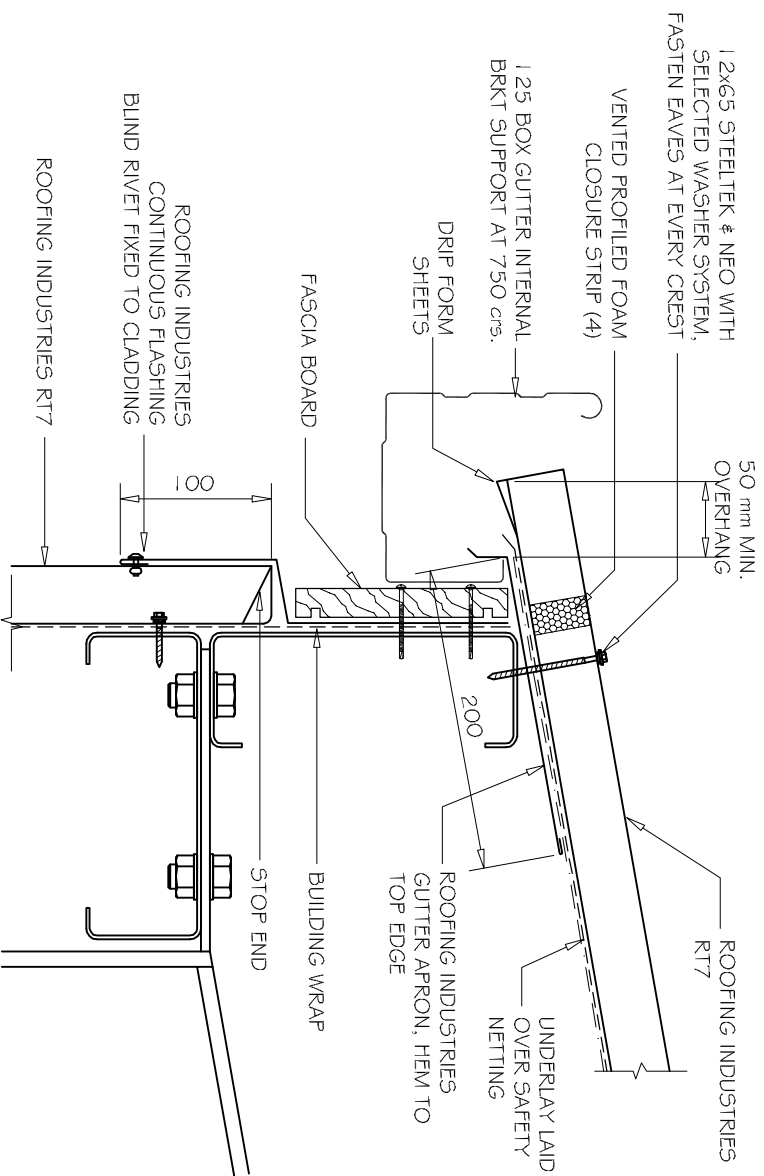
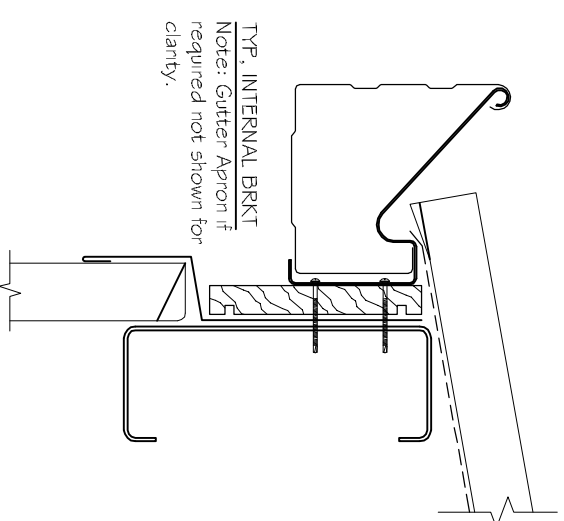


COMMERCIAL RT7 ROOFING 125 BOX GUTTER DETAIL (Internal Bracket)

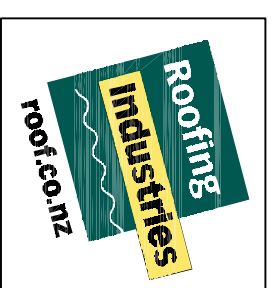


A 125 BOX GUTTER RT7 PROFILE
1:5



- DETAIL NO. CRT7R030A
DATE DRAWN 28/03/12
FILE REFERENCE R1-CRT7R030A.DWG
- NOTES:
- (1) MINIMUM PITCH 3°
 - (2) FOR CAPACITY CALCULATION REFER TO NZMRM CODE OF PRACTICE.
 - (3) EXTERNAL BRACKETS ARE RECOMMENDED TO ALL GUTTERS IN AREAS SUBJECT TO SNOW. REFER DWG CMR030B
 - (4) FOAM CLOSURE STRIP ONLY REQUIRED IN HIGH RISK SITUATIONS OF WIND BLOWN MOISTURE ENTERING OR IF BIRD OR VERMIN PROOFING IS REQUIRED.

- NOTES:
- These details are generally in compliance with the NZ Metal Roof & Wall Cladding Code of Practice and in some cases specific details by Roofing Industries.
 - The building designer is ultimately responsible to ensure that details used meet the requirements of the NZ Building Code for the specific project.
 - Details of the supporting structure are indicative only and are the responsibility of the building designer.
 - Thermal break or cavity battens may be required in some circumstances.
 - Underlay selection and building wrap types are the responsibility of the designer, Alternative support to galvanised netting should be used in severe coastal environments, including when aluminum is used.
 - These details are for Roofing Industries profiles as nominated and may not be applicable to other profiles.
 - This drawing is the copyright of Roofing Industries and can only be copied or reproduced with their permission.
 - Further information can be obtained from the NZ Metal Roof & Wall Cladding Code of Practice www.metlroofer.org.nz & www.roof.co.nz
 - Where necessary adjust drawings for purlin battens or cavity battens.
 - Details are for steel based materials, other substrate may require some changes.



©COPYRIGHT DETAIL 2012