

COMMERCIAL RT7 ROOFING PENETRATION FLASHING EPDM

DETAIL NO. CRT7R017A-1

DATE DRAWN 28/03/12

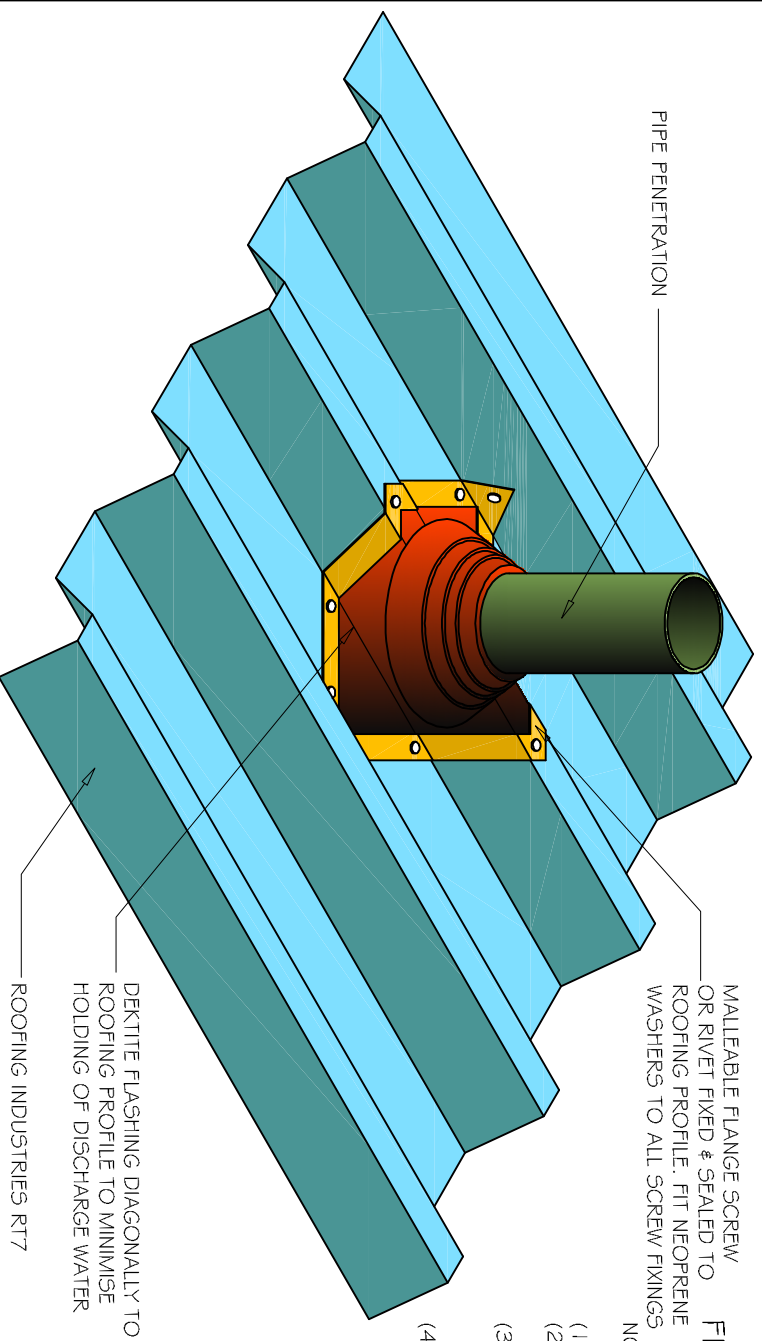
FILE REFERENCE R1-CRT7R017A-1.DWG

PIPE PENETRATION

MALLEABLE FLANGE SCREW
OR RIVET FIXED & SEALED TO
ROOFING PROFILE. FIT NEOPRENE
WASHERS TO ALL SCREW FIXINGS

NOTES:

- (1) FOR PIPES UP TO 85mm DIAMETER.
- (2) MAX ROOF PITCH FOR THIS FLASHING 45°,
MIN PITCH 3°
- (3) NZMRM CODE OF PRACTICE ALLOWS LARGER THAN 85mm
DIAMETER PENETRATION PROVIDED THE FLASHING DOES
NOT EXTEND TO MORE THAN 50% OF PAN WIDTH.
- (4) INSTALL ADJACENT TO PURLIN FOR SUPPORT
WHERE POSSIBLE. NO PANS TO BE FULLY BLOCKED
OFF BY PIPE OR DEKITE.



DEKITE FLASHING DIAGONALLY TO
ROOFING PROFILE TO MINIMISE
HOLDING OF DISCHARGE WATER

ROOFING INDUSTRIES RT7

NOTES:

- These details are generally in compliance with the NZ Metal Roof & Wall Cladding Code of Practice and in some cases specific details by Roofing Industries.
- The building designer is ultimately responsible to ensure that details used meet the requirements of the NZ Building Code for the specific project.
- Details of the supporting structure are indicative only and are the responsibility of the building designer.
- Thermal break or cavity battens may be required in some circumstances.
- Underlay selection and building wrap types are the responsibility of the designer.
- Alternative support to galvanised netting should be used in severe coastal environments including when aluminum is used.
- These details are for Roofing Industries profiles as nominated and may not be applicable to other profiles.
- This drawing is the copyright of Roofing Industries and can only be copied or reproduced with their permission.
- Further information can be obtained from the NZ Metal Roof & Wall Cladding Code of Practice www.metaloofers.org.nz & www.roof.co.nz
- Where necessary adjust drawings for purlin battens or cavity battens.
- Details are for steel based materials, other substrate may require some changes.

©COPYRIGHT DETAIL 2012

