



# COMMERCIAL UP TO 10 METRES INSTALLATION OVERVIEW

ZX® Panel QUICK-START GUIDES / An overview of how to install the ZX® Panel Cladding System.





## ZX<sup>®</sup> Panel QUICK-START GUIDES

An overview of how to install the ZX<sup>®</sup> Panel Cladding System.

ZX<sup>®</sup> Panel Cladding System is reliable, affordable and easy to install. Lightweight and recyclable, it provides a modern design aesthetic and when combined with the simple maintenance requirements, delivers a system that provides durability and is long lasting.

The ZX<sup>®</sup> Panel Cladding System may be easily ordered on-line or from an authorised supplier – Carters, ITM and Placemakers.



**International Design Registrations**  
Refer to [zxpanel.com/IP](http://zxpanel.com/IP)

### BENEFITS

- ❖ **Low maintenance**  
No painting required as ZX<sup>®</sup> Panel comes powder-coated
- ❖ **Non-combustible**  
Solid aluminium does not burn
- ❖ **Cost-effective**  
ZX<sup>®</sup> Panel is substantially cheaper than similar competitors
- ❖ **New Zealand Made**  
Proudly committed to local industry
- ❖ **Lightweight**  
Fabrication and installation is quick and effective
- ❖ **Aesthetically pleasing**  
20 modern colours that can be mixed and matched
- ❖ **Warranty**  
15 year paint and product warranty
- ❖ **Coastal locations**  
Aluminium is ideal in coastal environments
- ❖ **Recyclable**  
Made from 100% recyclable, solid aluminium

### SCOPE

The ZX<sup>®</sup> Panel Cladding System is a low maintenance, non-combustible, weathertight, external, cavity based cladding system. Manufactured from solid aluminium, it comprises a powder coated, 2mm thick panel that is clipped into engineered aluminium extrusions. Panels are secured with glazing wedges.

Panels are available in 20 colours and are supplied in 1200mm x 2400mm sheets that may be cut on-site as necessary.

It is suitable for use on all buildings up to 10m in building height or up to 2.5kPa ULS where specifically engineered. The system may be used with steel or timber framing or concrete panels with timber infill that comply with the NZ Building Code. It must always be installed over a cavity. Its non-combustibility means that it may be installed on fire-rated buildings located within 1m of a relevant boundary.

Where the ZX<sup>®</sup> Panel Cladding System is to be used on an existing building, the designer and installer must ensure that the existing building is suitable for the intended installation of the ZX<sup>®</sup> Panel Cladding System.

### INSTALLERS/SPECIFIERS

Whilst installation of the ZX<sup>®</sup> Panel Cladding System is simple, installation should be completed by a licensed building practitioner who should ensure they have reviewed all installation documentation prior to installing the system. This will ensure an installation that looks good and performs.

Panels should be covered and stored flat on a smooth surface, to prevent scratching. Edges should be protected to prevent chipping. It is strongly recommended that all components of the ZX<sup>®</sup> Panel Cladding System be stored under cover prior to installation. The 3M flashing tape must always be stored under cover.

When receiving delivery of the ZX<sup>®</sup> Panel Cladding System check that the delivery order is complete and that none of the components have been damaged in transit. If damage has occurred please refer to our website at [zxpanel.com](http://zxpanel.com) under terms and conditions section 12 C) and D).

Always ensure your safety and the safety of others. Refer to The Absolutely Essential Health & Safety Guide and Worksafe New Zealand Quick Guide. These are available at [www.worksafe.govt.nz](http://www.worksafe.govt.nz)

### COMPLIANCE

Compliance with the relevant building code clauses has been established by independent testing.

The ZX<sup>®</sup> Panel Cladding System has been tested to E2/VM1 and NZS/AS 4284 2008. All screws have been subject to pull testing and engineered calculations. Powder coating of the aluminium is applied and tested to perform according to internationally recognized specifications, including AS3715 and WANZ Endurocolour.

### UNLINED INTERNAL WALLS

If the walls of the building are going to remain unlined (e.g. garage walls or gable ends), a ridged air barrier board must be installed directly to the framing instead of a flexible underlay. Like all products, ZX<sup>®</sup> Panel must be connected to an electrical earthing system.

### TIPS FOR BUILDING OWNERS

Maintenance is simply a gentle clean with a soft brush and mild detergent followed by a fresh water rinse. The frequency of maintenance will depend on proximity to the coast or to industrial pollution.

Within 50m of breaking surf or industrial pollution we recommend a monthly wash down.

50m - 100m from breaking surf, 3 monthly wash down, >100m from breaking surf, 6 monthly washing.

We offer a 15-year warranty on the ZX<sup>®</sup> Panel product and powder coating.

### WHERE TO GO FOR MORE HELP

For more information about this innovative product, please visit [zxpanel.com](http://zxpanel.com)

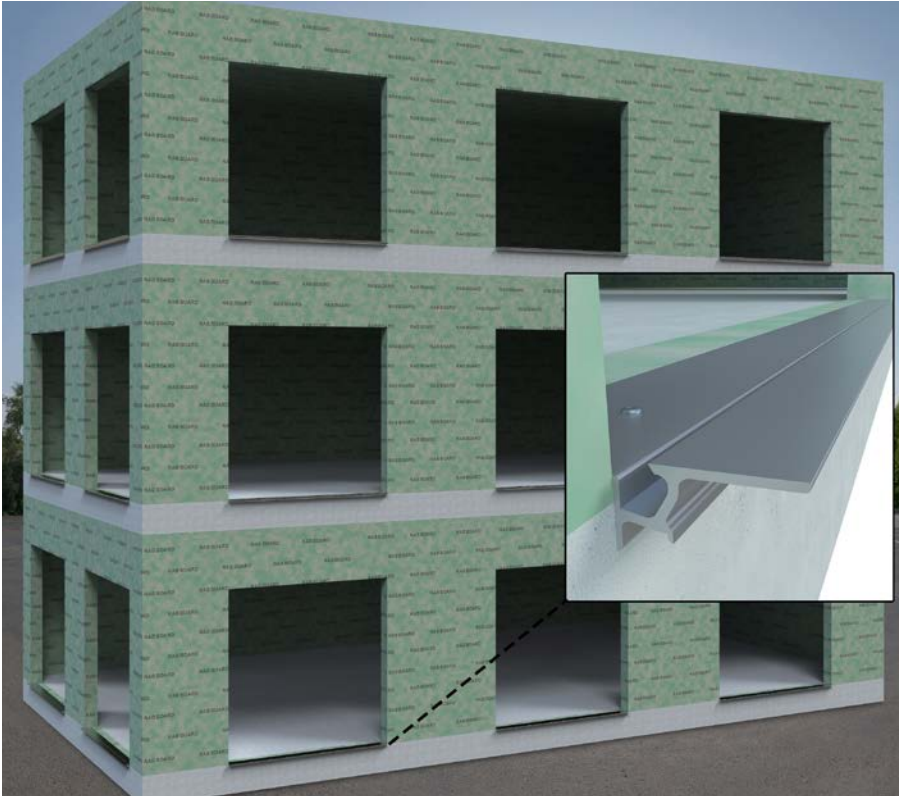




## COMMERCIAL UP TO 10 METRES INSTALLATION OVERVIEW

1.

Screw fit WANZ bar ZX-226 on bottom of window and door openings with ZX-24 screws at no more than 400mm centres.



### ZX-226

WANZ Bar E1426  
x 5.0M - Mill Finish

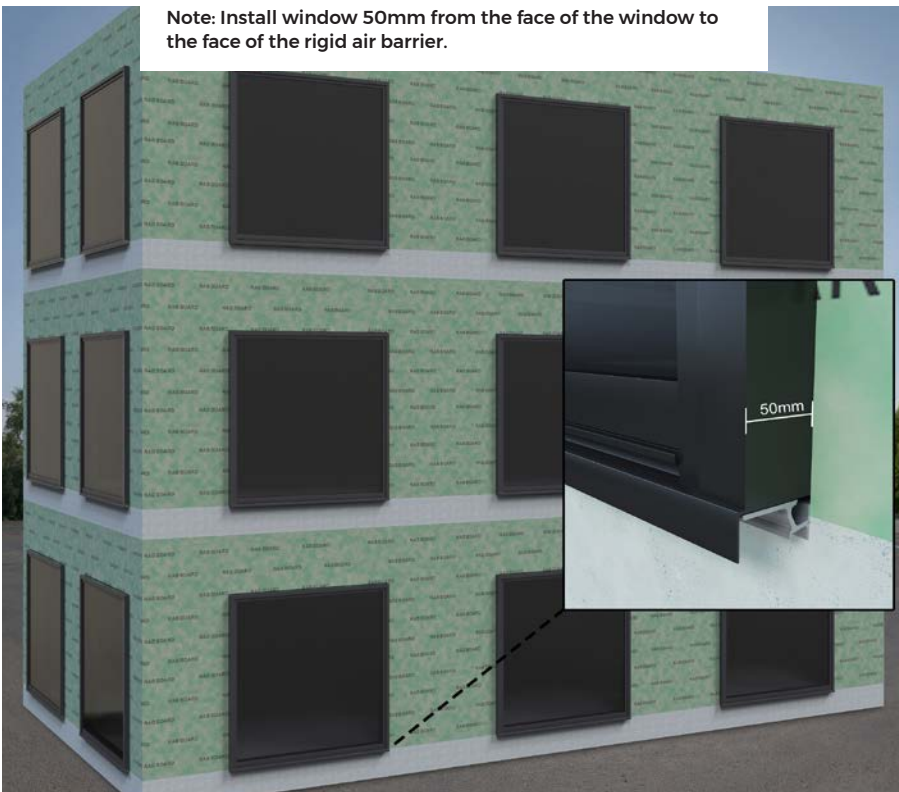
### ZX-24

M10 x 45mm FH SQ  
Tek Screws T410 Hardened  
- 1000 per Box



2.

Install commercial windows as per window supplier specifications.



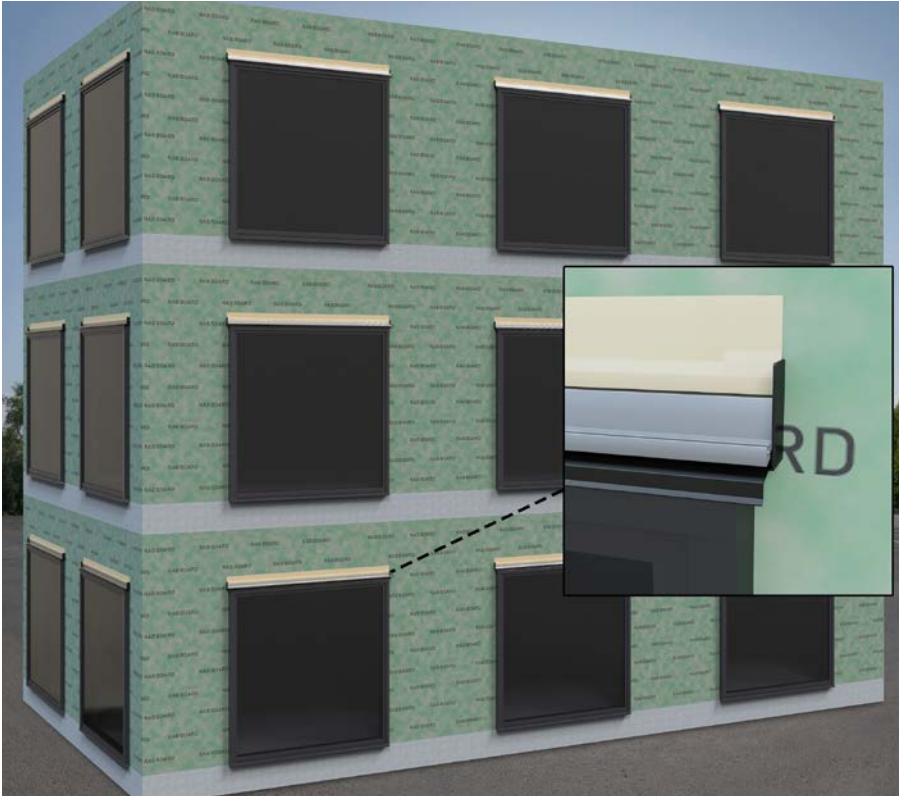
Note: Install window 50mm from the face of the window to the face of the rigid air barrier.



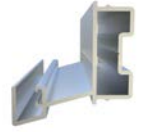
## COMMERCIAL UP TO 10 METRES INSTALLATION OVERVIEW

# 3.

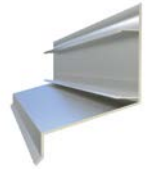
Screw fit ZX-228 Flashing Head on top of window at 400mm centres. Install ZX-20 3m Tape to top of ZX-228. Clip ZX-227 Flashing Head Batten into ZX-228 Flashing Head.



**ZX-227**  
Flashing Head  
Batten x 5.4M



**ZX-228**  
Flashing Head  
x 5.4M



**ZX-20**  
3M 8067 All Weather  
Flashing Tape  
76mm x 22.8 Metre



**ZX-23**  
Window Flashing End Cap  
(50 pair) MWANZSTED



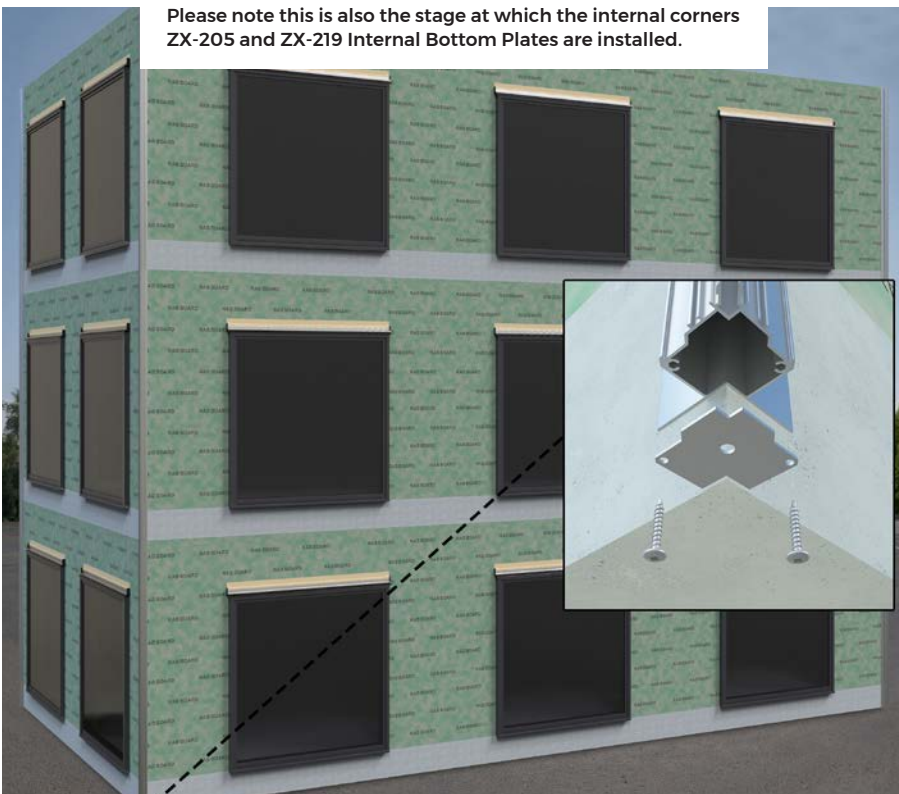
**ZX-24**  
M10 x 45mm FH SQ  
Tek Screws T410 Hardened  
- 1000 per Box



# 4.

Install ZX-218 to bottom of ZX-203.  
Install ZX-203 External Corner Base. Screw fit to external corners with ZX-24 screws at 400mm centres.

Please note this is also the stage at which the internal corners  
ZX-205 and ZX-219 Internal Bottom Plates are installed.



**ZX-203**  
External Corner  
Base x 5.4M - Mill Finish



**ZX-205**  
Internal Corner Base  
90 Deg x 5.4M - Mill Finish



**ZX-218**  
External Corner  
Bottom Plate - Mill Finish



**ZX-219**  
Internal Corner  
Bottom Plate - Mill Finish



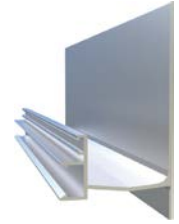
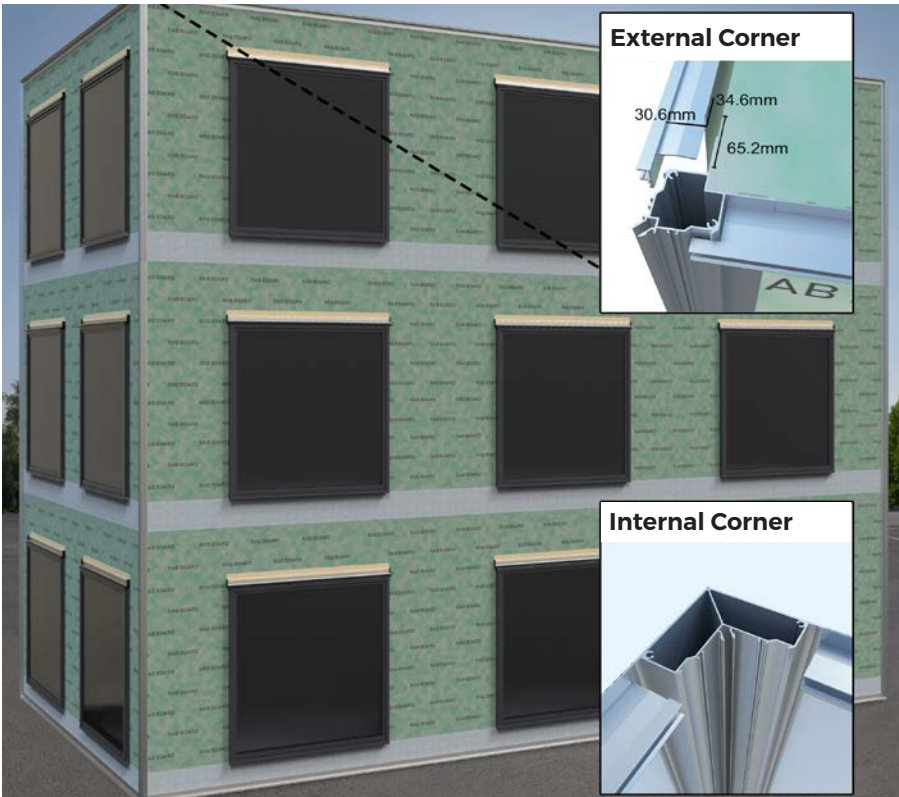
**ZX-24**  
M10 x 45mm FH SQ  
Tek Screws T410 Hardened  
- 1000 per Box



# COMMERCIAL UP TO 10 METRES INSTALLATION OVERVIEW

## 5.

Install ZX-201 Lower and Top Base with ZX-24 screws at 400mm centres. Make sure you cut to fit into the ZX-203 External Corner Base as shown.



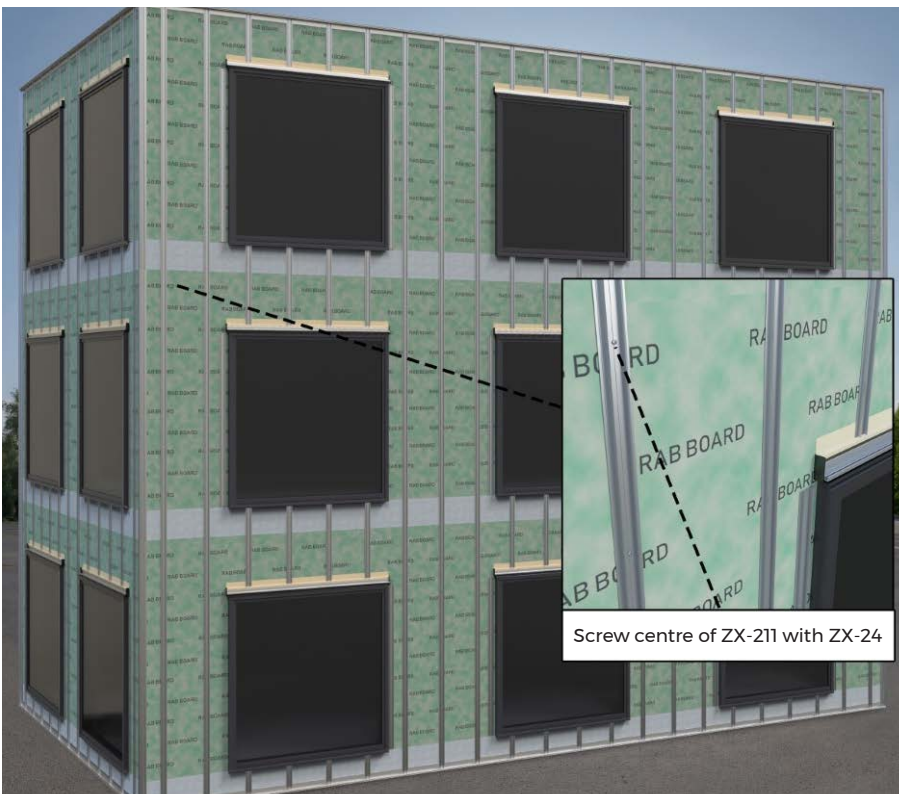
**ZX-201**  
Lower and Top  
Base x 5.4M - Mill Finish



**ZX-24**  
M10 x 45mm FH SQ  
Tek Screws T410 Hardened  
- 1000 per Box

## 6.

Install ZX-211 Batten Base Receiver next to windows and doors first, then screw centre of ZX-211 with ZX-24 at 400mm centres.



**ZX-211**  
Batten Base Receiver  
x 5.4M - Mill Finish

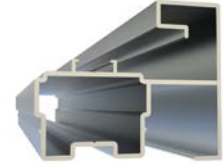
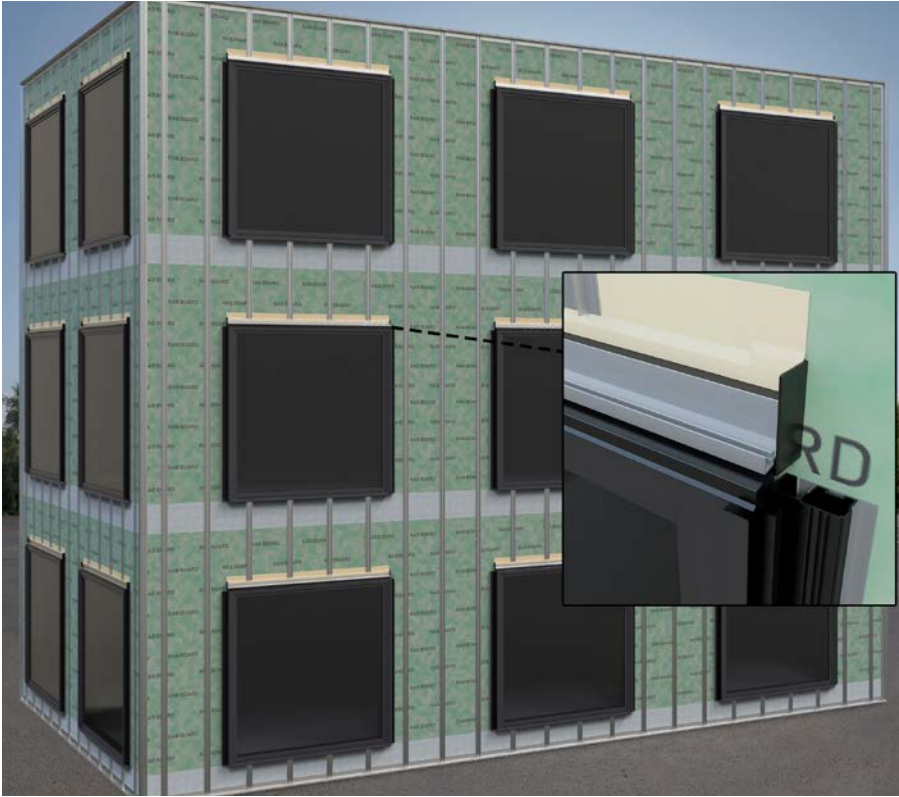


**ZX-24**  
M10 x 45mm FH SQ  
Tek Screws T410 Hardened  
- 1000 per Box

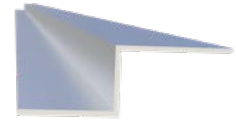
Screw centre of ZX-211 with ZX-24

## 7.

Clip ZX-224 Transition Batten next to windows and doors.  
Add Rainscreen Flashing (supplied by joiner manufacturer) fit in place with ZX-31 Quilosa FMS Adhesive.



**ZX-224**  
Transition Batten



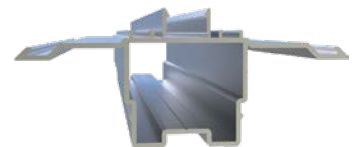
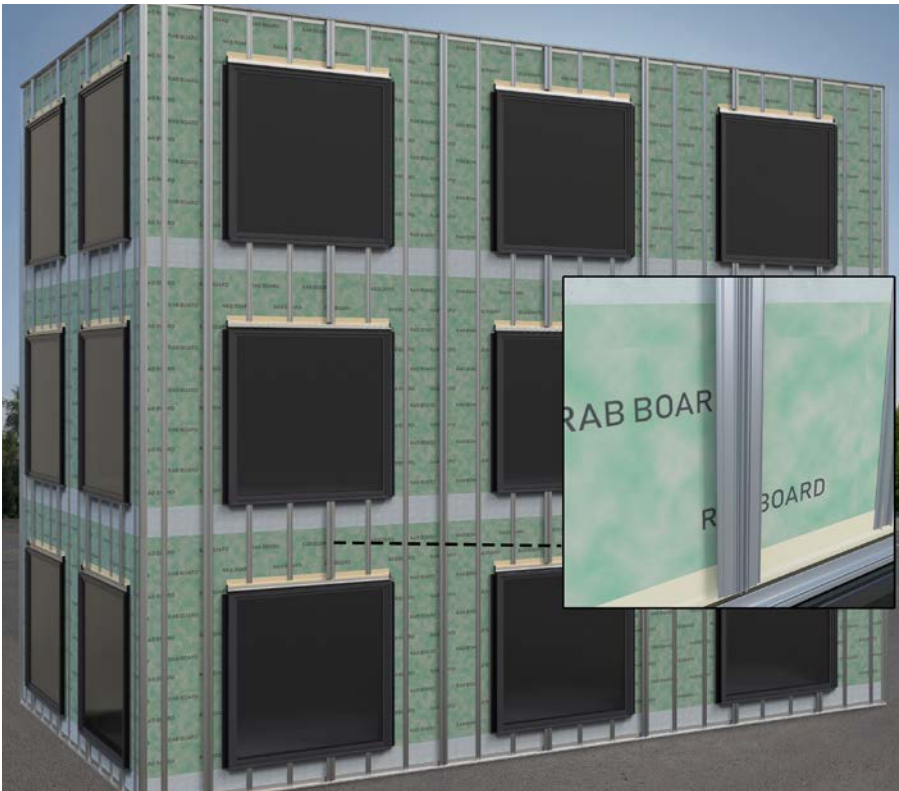
**Rain Flashing**  
Supplied by joiner manufacturer



**ZX-31**  
Quilosa FMS Adhesive White

## 8.

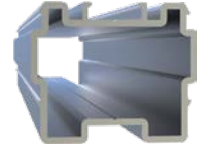
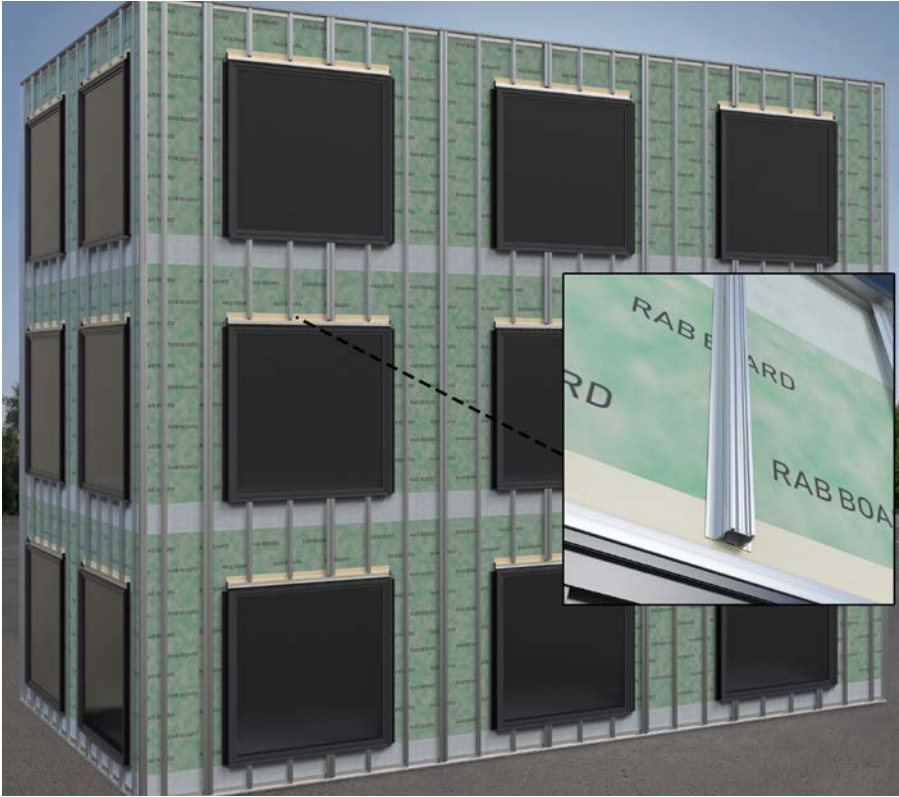
Clip ZX-207 Vertical Base where vertical joints are required.



**ZX-207**  
Vertical Base x 5.4M  
- Mill Finish

## 9.

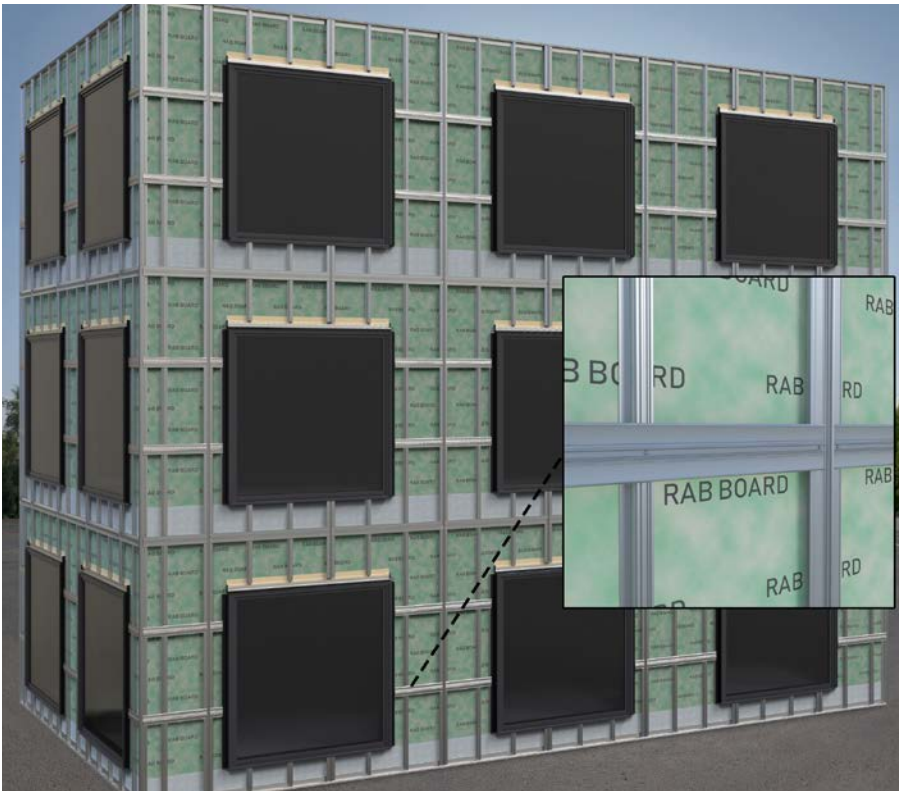
Clip ZX-209 Vertical Batten which will be behind ZX-2P2 Panel.



**ZX-209**  
Vertical Batten x 5.4M  
- Mill Finish

## 10.

Install ZX-208 Horizontal Base where horizontal joins are required with ZX-24 screws where it meets with vertical battens.



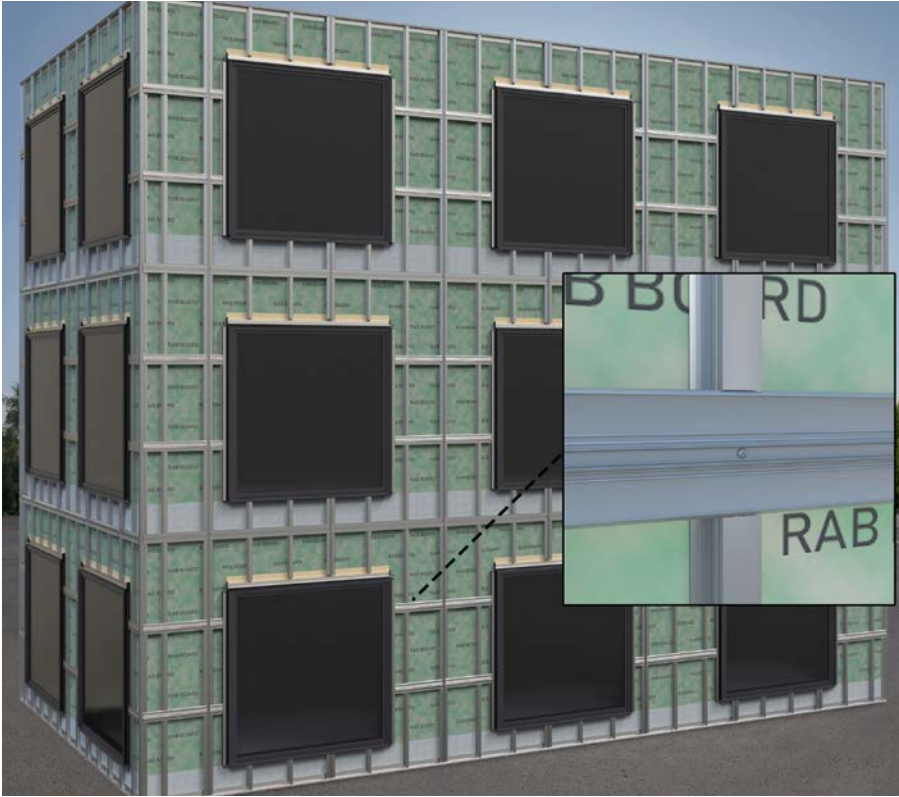
**ZX-208**  
Horizontal Base x 5.4M  
- Mill Finish

**ZX-24**  
M10 x 45mm FH SQ  
Tek Screws T410 Hardened  
- 1000 per Box



## 11.

Clip ZX-202 Lower/Top/Vertical/Horizontal covers, cut as required to ZX-224 Transition Batten and ZX-209 Vertical Battens.



### ZX-202

Lower / Top / Vertical / Horizontal Cover x 5.4M – Powder Coated

## 12.

Apply ZX-31 Quilosa FMS Adhesive on ZX-202 as you fit ZX-2P2 Panel. Apply ZX-31 in a 6mm continuous bead from top to bottom in a squiggle pattern.

Apply ZX-31 behind ZX-202 to the middle of the length on both sides, as shown in the exploded view.



### ZX-2P2

Panel 2400 x 1200 x 2mm – Powder Coated



### ZX-31

Quilosa FMS Adhesive White

Note: Cut ZX-2P2 Panel 3mm less than exact measurement.

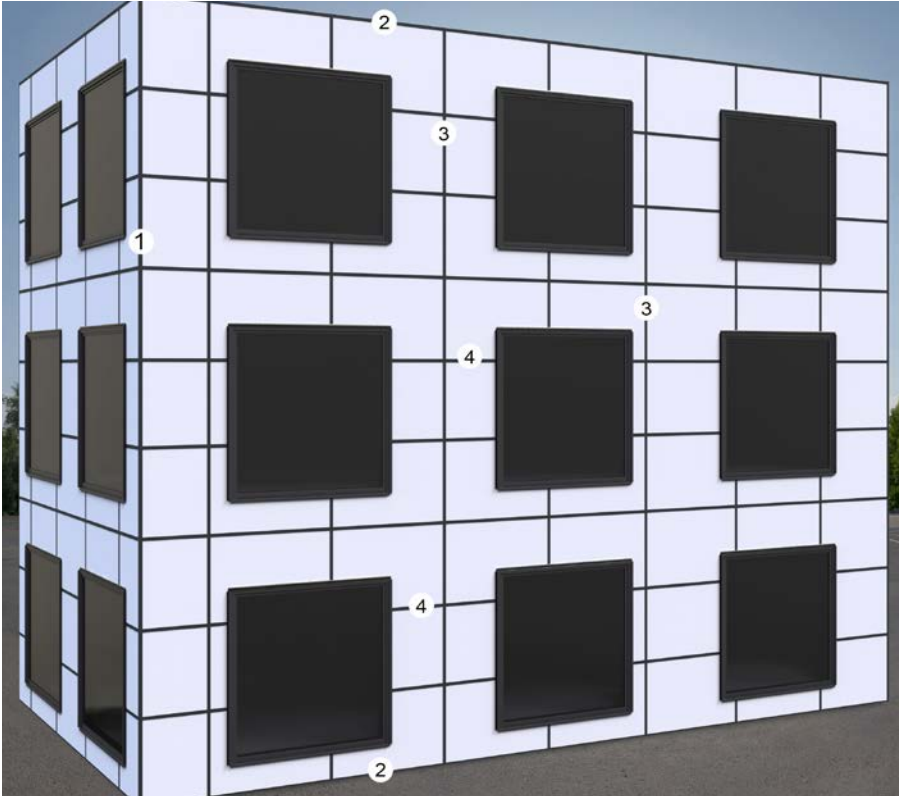


# COMMERCIAL UP TO 10 METRES INSTALLATION OVERVIEW

## 13.

Clip ZX-202, ZX-204, ZX-206 cover in the following sequence.

- ① ZX-203 External Corner Base / ZX-205 Internal corner base.
- ② ZX-201 Top and Bottom base.
- ③ ZX-207 Vertical base.
- ④ ZX-208 Horizontal base.



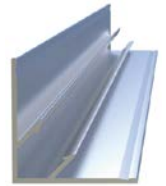
### ZX-202

Lower / Top / Vertical / Horizontal Cover x 5.4M - Powder Coated



### ZX-204

External Corner Cover x 5.4M - Powder Coated



### ZX-206

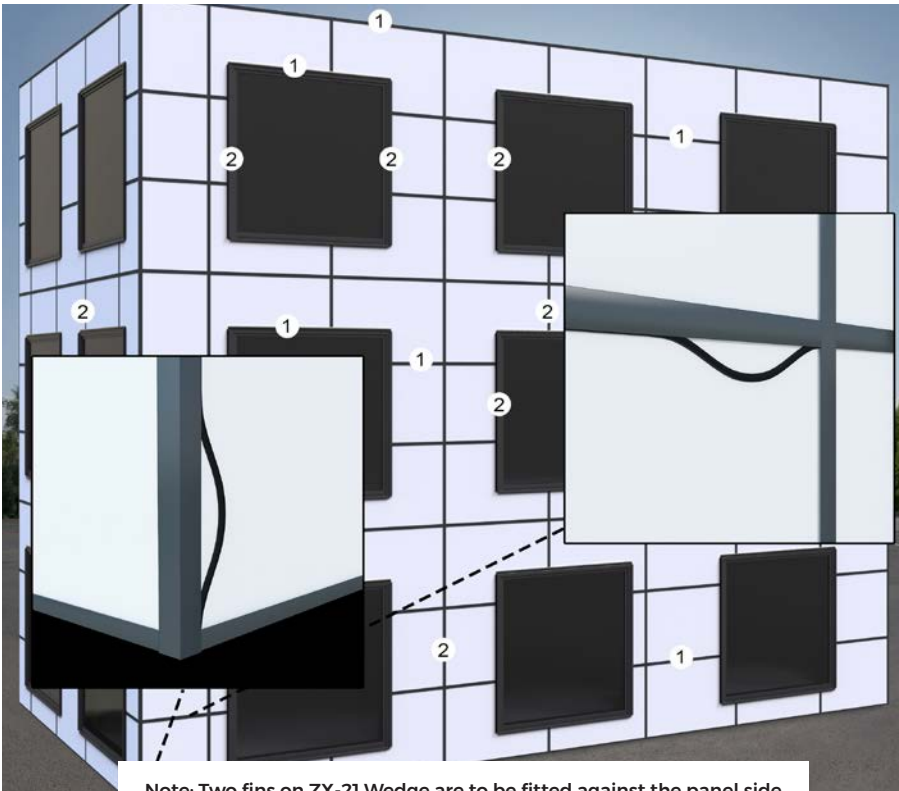
Internal Corner Cover x 5.4M - Powder Coated



## 14.

Install All ZX-21 in the following sequence:

- ① First to all horizontal covers.
- ② Then to all vertical covers.



### ZX-21

Wedge TPE Santoprene 5mm x 250M



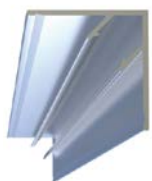
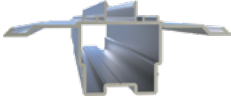
### ZX-40

Glazing Tool

Note: Two fins on ZX-21 Wedge are to be fitted against the panel side.



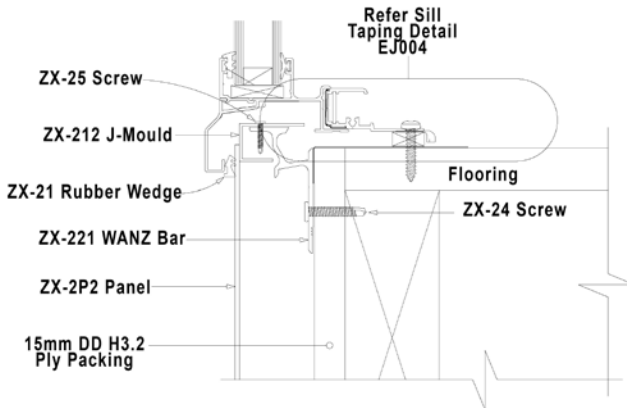
# PARTS — COMMERCIAL BUILDING UP TO 10 METRES

<p><b>ZX-2P2</b> Panel 2400 x 1200 x 2mm - Powder Coated</p> 		<p><b>ZX-201</b> Lower and Top Base x 5.4M - Mill Finish</p> 		<p><b>ZX-202</b> Lower / Top / Vertical / Horizontal Cover x 5.4M - Powder Coated</p> 		
ORDER#		ORDER#		ORDER#		
<p><b>ZX-203</b> External Corner Base x 5.4M - Mill Finish</p> 	<p><b>ZX-204</b> External Corner Cover x 5.4M - Powder Coated</p> 	<p><b>ZX-205</b> Internal Corner Base 90 Deg x 5.4M - Mill Finish</p> 	<p><b>ZX-206</b> Internal Corner Cover x 5.4M - Powder Coated</p> 	<p><b>ZX-207</b> Vertical Base x 5.4M - Mill Finish</p> 		
ORDER#	ORDER#	ORDER#	ORDER#	ORDER#		
<p><b>ZX-208</b> Horizontal Base x 5.4M - Mill Finish</p> 			<p><b>ZX-209</b> Vertical Batten x 5.4M - Mill Finish</p> 		<p><b>ZX-211</b> Batten Base Receiver x 5.4M - Mill Finish</p> 	
ORDER#			ORDER#		ORDER#	
<p><b>ZX-218</b> External Corner Bottom Plate - Mill Finish</p> 	<p><b>ZX-219</b> Internal Corner Bottom Plate - Mill Finish</p> 	<p><b>ZX-224</b> Cladding Cap x 5.4M - Powder Coated</p> 		<p><b>ZX-226</b> WANZ Bar E1426 x 5.0M - Mill Finish</p> 		
ORDER#	ORDER#	ORDER#		ORDER#		
<p><b>ZX-228</b> Flashing Head x 5.4M - Powder Coated</p> 	<p><b>ZX-20</b> 3M 8067 All Weather Flashing Tape x 22.8 Metre</p> 	<p><b>ZX-21</b> Wedge TPE Santoprene 5mm x 250M</p> 		<p><b>ZX-23</b> Window Flashing End Cap - 25 Pairs (L&amp;R) per Pack</p> 		
ORDER#	ORDER#	ORDER#		ORDER#		
<p><b>ZX-24</b> M10 x 45mm FH SQ Tek Screws T410 Hardened - 1000 per Box</p> 	<p><b>ZX-31</b> Quilosa FMS Adhesive White</p> 	<p><b>ZX-40</b> Glazing Tool</p> 	<p><b>ZX-41</b> Internal &amp; External Fixing Tool</p> 		<p><b>Rain Flashing</b> <i>Supplied by joiner manufacturer</i></p> 	
ORDER#	ORDER#	ORDER#	ORDER#		ORDER#	

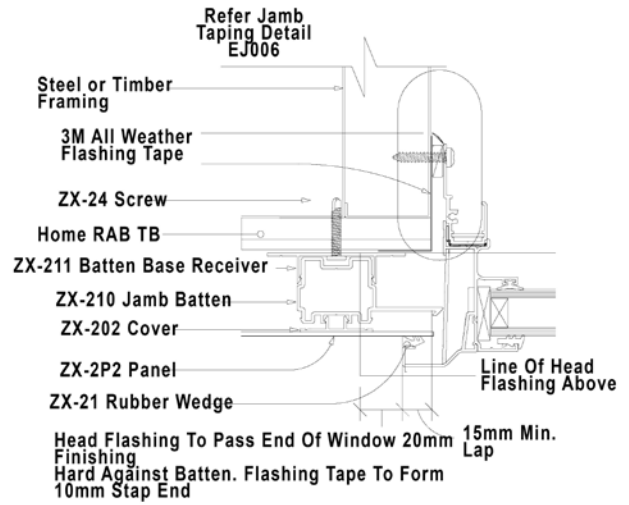


# ARCHITECTURAL DRAWINGS

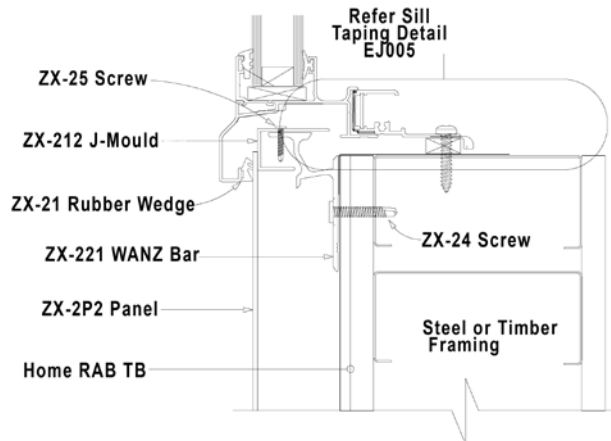
## Aluminium Joinery Sill at Timber Floor



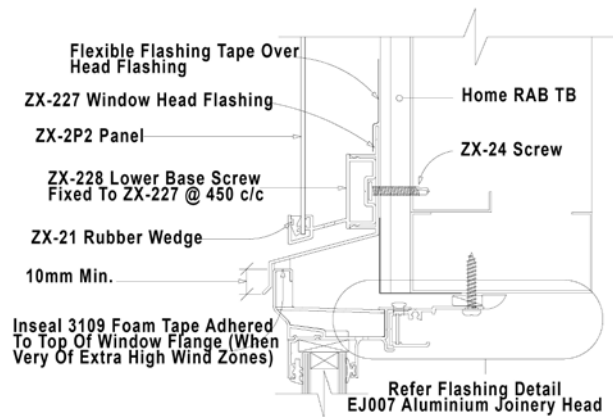
## Aluminium Joinery Jamb



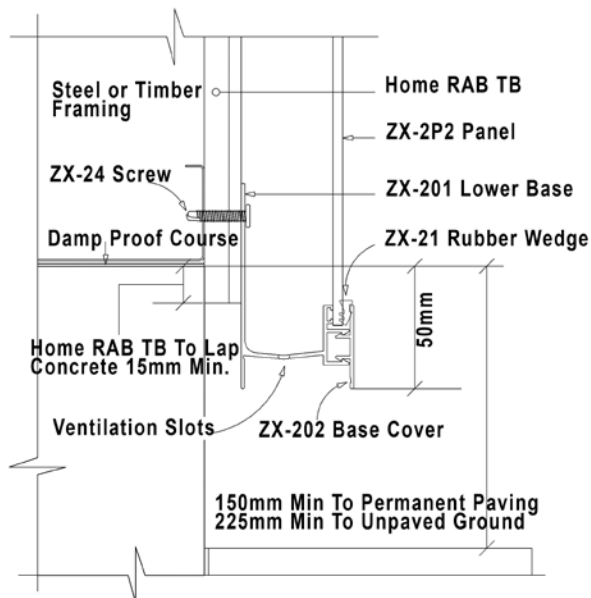
## Aluminium Joinery Sill at Frame



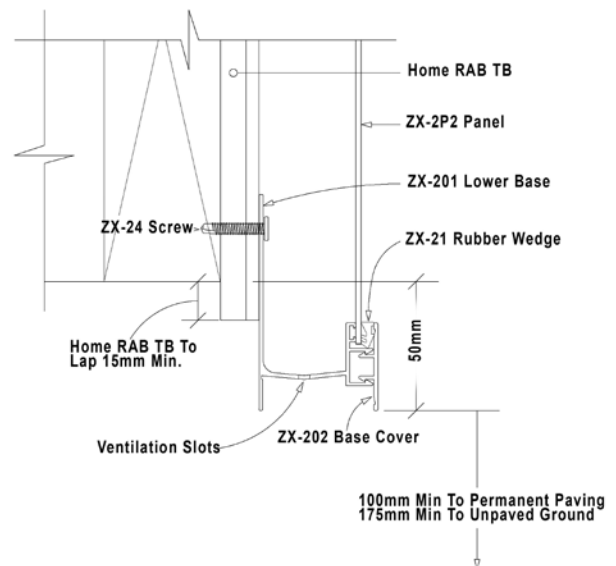
## Aluminium Joinery Head



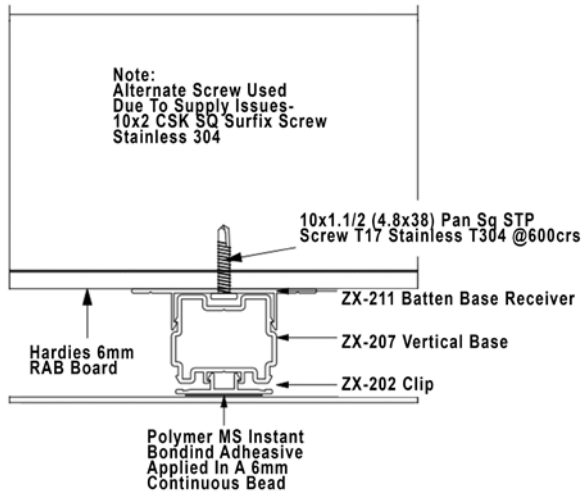
## Base at Concrete Floor



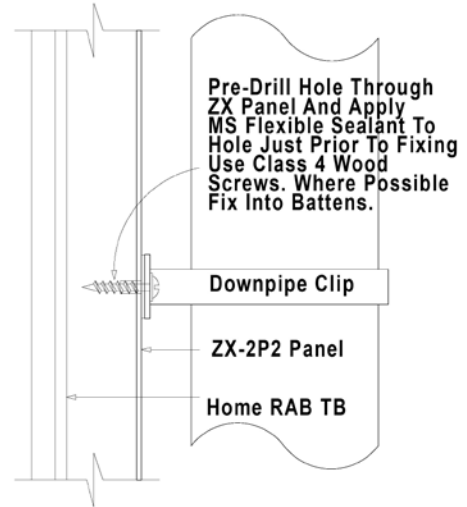
## Base at Timber Floor



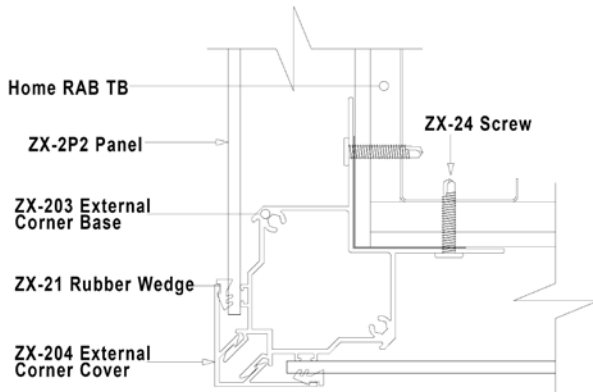
### Batten



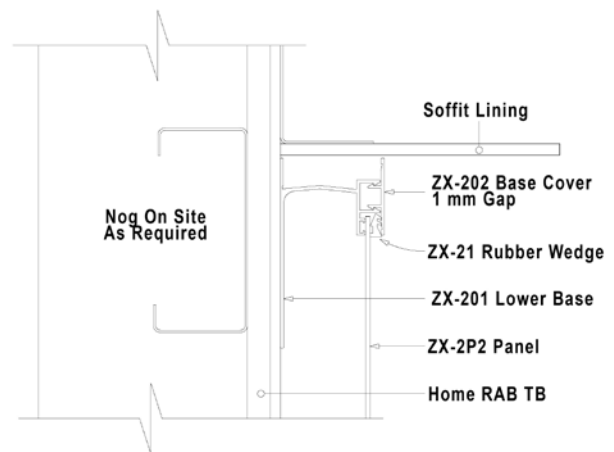
### Downpipe Fixing



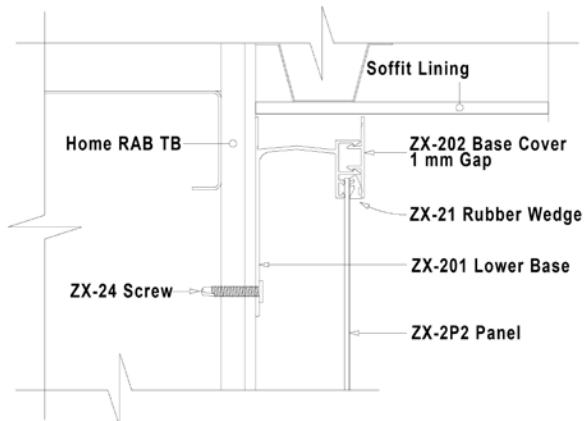
### External Corner



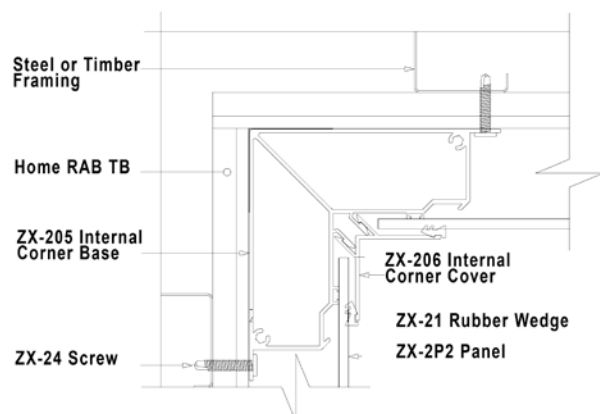
### Flat Soffit



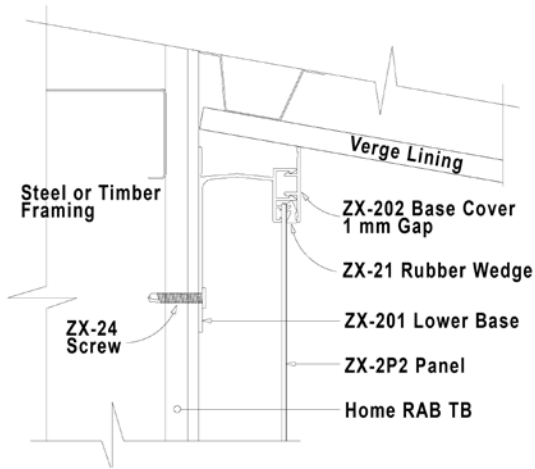
### Gable Verge



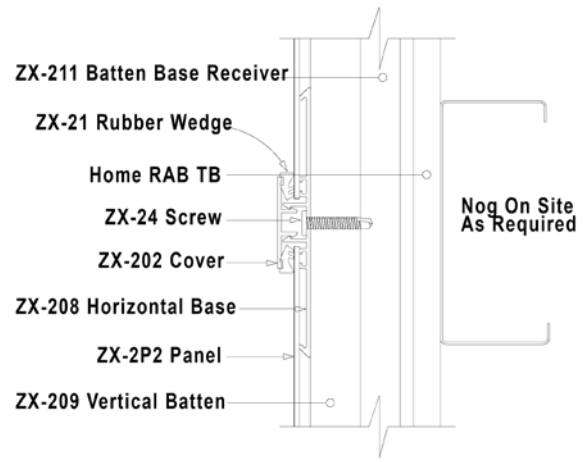
### Internal Corner



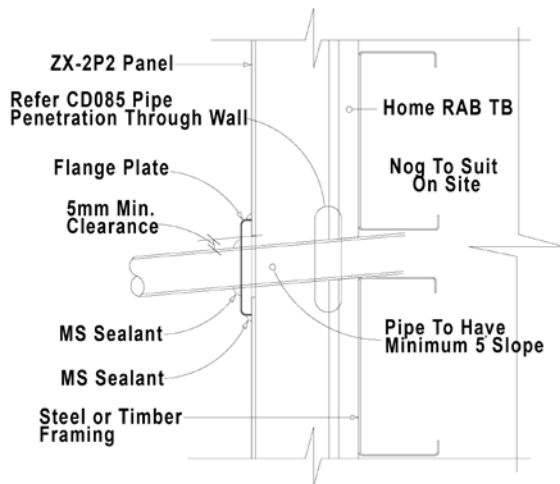
### Raking Soffit



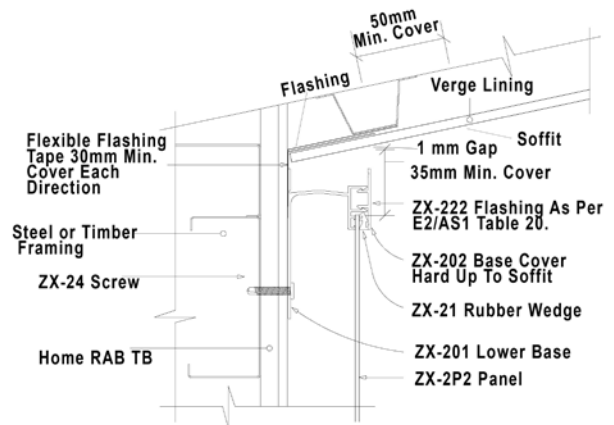
### Horizontal Joint



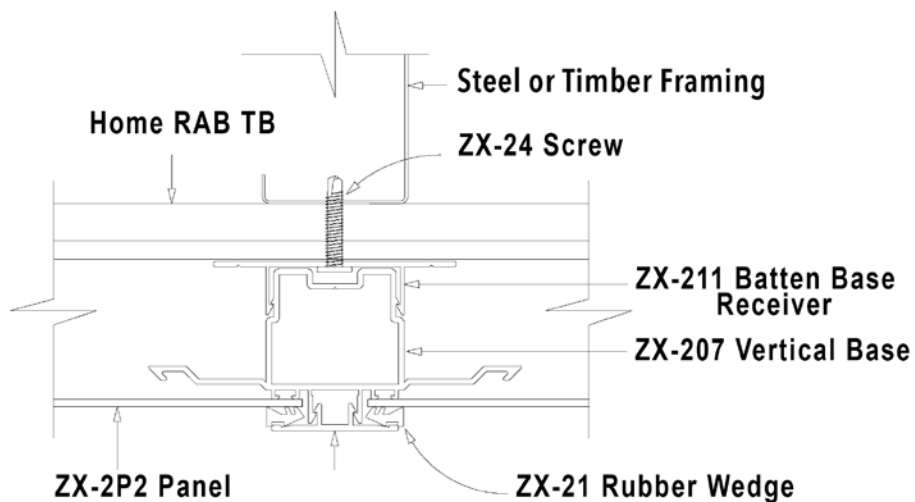
### Pipe Penetration



### Reverse Raking Soffit



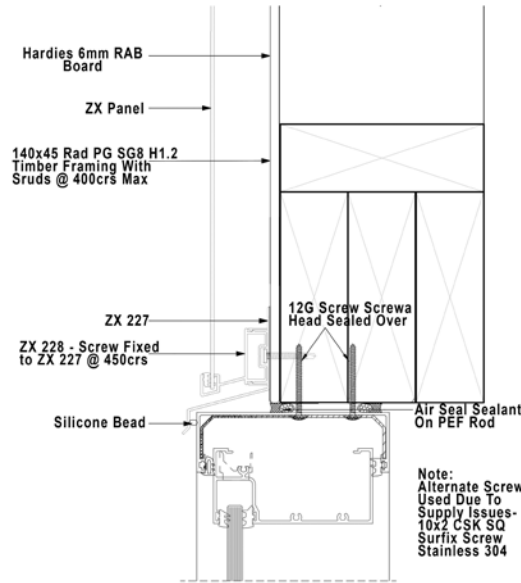
### Vertical Joint



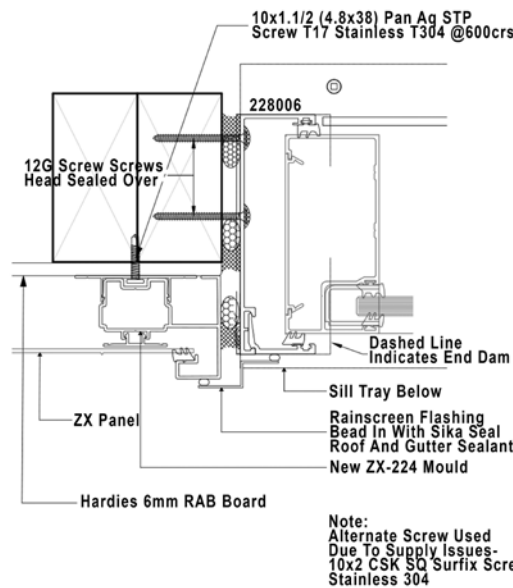


# ARCHITECTURAL DRAWINGS

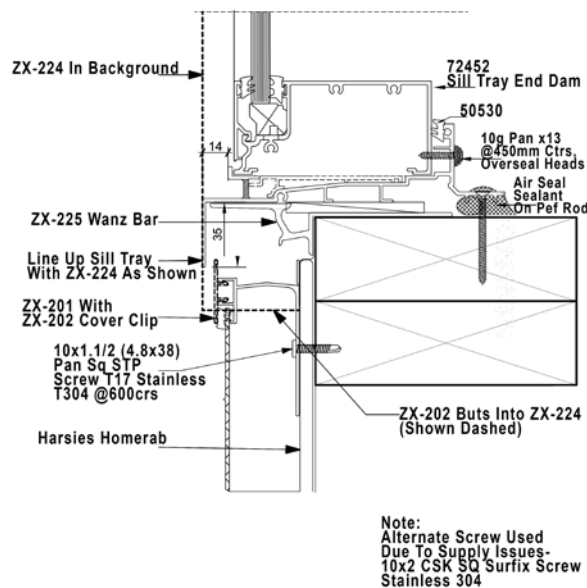
## Shopfront Window Head



## Shopfront Window Jamb



## Shopfront Window Sill





ZX® Panel QUICK-START GUIDES / An overview of how to install the ZX® Panel Cladding System.

## COMMERCIAL UP TO 10 METRES INSTALLATION OVERVIEW

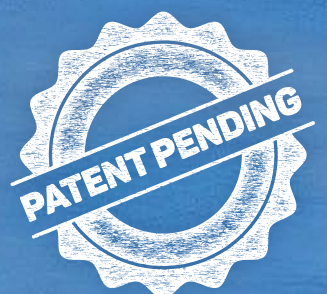
### HELPFUL TIPS

- A.** You must follow exact measurements as per page 3, step 2.
- B.** Use a wax candle when rolling any clippings into place.
- C.** Use ZX Panel fixing block to install external and internal corners.
- D.** Use water and soap liquid when installing ZX-21 wedge.

[zxpanel.com](http://zxpanel.com)



International Design Registrations  
Refer to [zxpanel.com/IP](http://zxpanel.com/IP)





# COMMERCIAL UP TO 10 METRES INSTALLATION OVERVIEW

ZX® Panel QUICK-START GUIDES / An overview of how to install the ZX® Panel Cladding System.



## ZX® Panel Limited

63 Hewletts Road  
Mount Maunganui  
Tauranga 3116  
New Zealand  
[zxpanel.com](http://zxpanel.com)

**Tony Longhurst**  
National Key Account Manager  
✉ [tony@zxpanel.co.nz](mailto:tony@zxpanel.co.nz)  
☎ 021 246 3503

**Bevan Wood**  
National Installation Manager  
✉ [bevan@zxpanel.co.nz](mailto:bevan@zxpanel.co.nz)  
☎ 021 246 5188

