

Handrail Fittings Ltd
0800 HANDRAIL
0800 426372

Handrail Bracket - Modena Nil
Product Code: HBR20S

HBR20S handrail bracket

Weld on or saddles available

Manufactured from the highest
quality AISI304 & AISI316 stainless steel

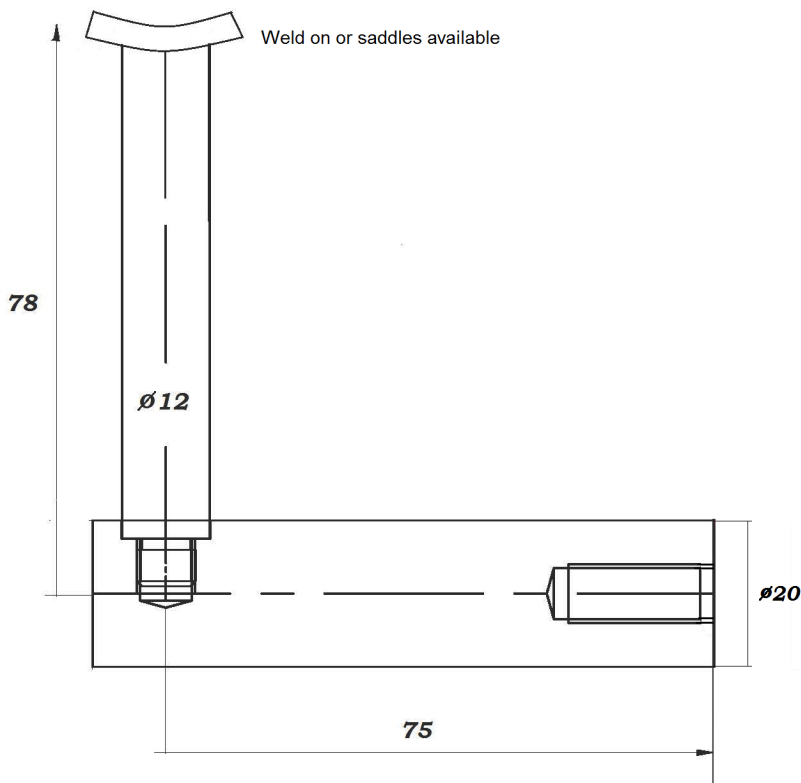
Available in satin and mirror finish

This handrail bracket complies with BIA acceptable
solutions D1/AS1



HBR20 Handrail Bracket

- 20mm diameter solid rod
- concealed fixing into wall with a lag screw
- 12mm diameter rod upright
- Weld on or saddles available
- Recommended spacing maximum 800mm



Also available with a base flange
See HBR20BS - Modena Grande

