

Handrail Fittings Ltd
0800 HANDRAIL
0800 426372

HF **HANDRAIL FITTINGS Ltd**
Best Price - Best Quality - Best Service



Handrail Bracket - Milano Glaze
Product Code: HBG56

HBG56 handrail bracket for glass

Weld on or with saddles

AISI304 & AISI316 stainless steel

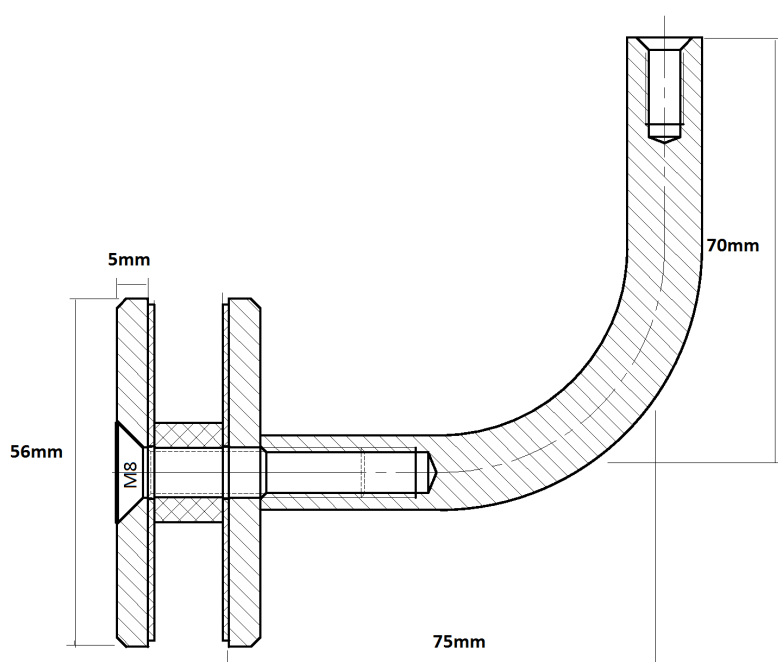
Manufactured from the highest
quality stainless steel

Available in satin & mirror finishes

This handrail bracket complies with BIA
acceptable solutions D1/AS1

HBG56 Handrail Bracket for glass

- 56mm diameter bases to match Milano (HBFCP) wall bracket
- Solid construction
- Bushes and washers included
- 12mm diameter rod upright
- Weld on or saddles available
- Recommended spacing maximum 1000mm



Visible 8mm countersunk
screw fixing

