



Handrail Bracket - Capri
Product Code: HBCS.

HBCS. handrail bracket coned flange

Saddles to fit flat and curved tube (38 - 50mm)

AISI304 and AISI316 stainless steel options

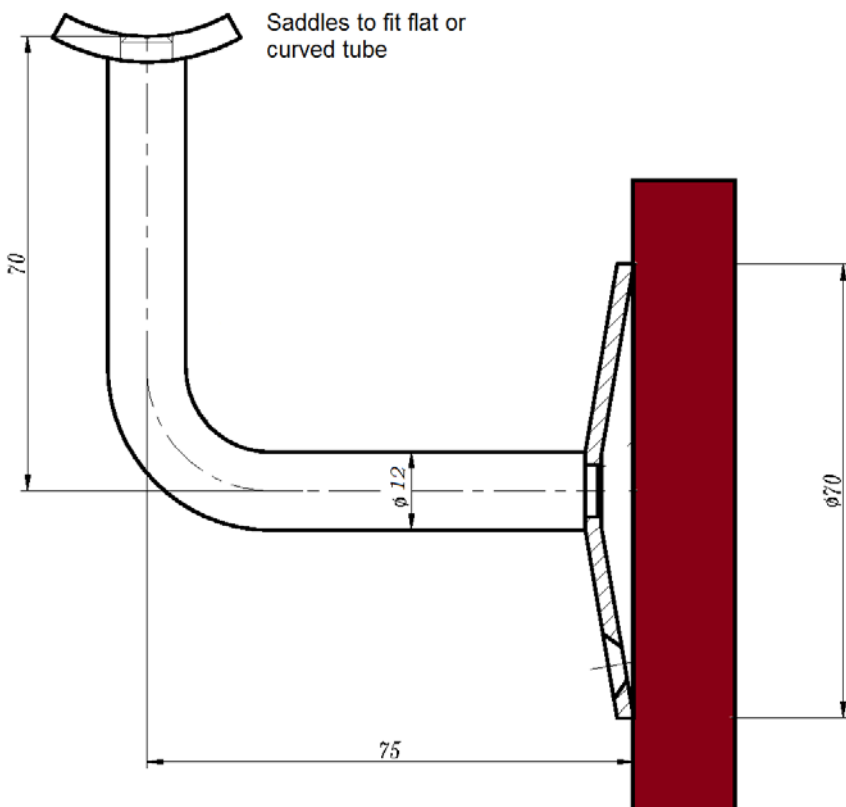
Corrosion resistant - manufactured from high quality stainless steel

Available in satin and mirror finish

This handrail bracket complies with BIA acceptable solutions D1/AS1

HBCS. Handrail Bracket

- Coned base
- 3 countersunk holes for easy fixing to wall stud
- 12mm diameter rod
- Saddles to fit flat or curved tube (38 - 50mm)
- Recommended spacing maximum 1000mm



Also available in weld on

