



Handrail Bracket - Quadro Glaze Product Code: HBGSQ

HBGSQ square handrail bracket for glass

Weld on or with saddle AISI

316 satin stainless steel

All bushes and washers included

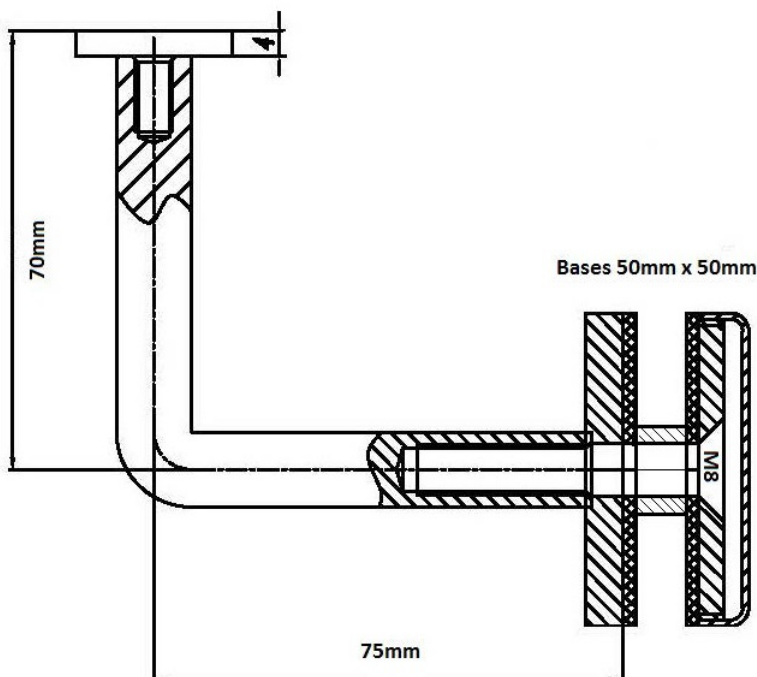
No visible fixings

Manufactured to high quality specifications

This handrail bracket complies with BIA
acceptable solutions D1/AS1

HBGSQ Handrail Bracket for glass

- 50mm x 50mm square bases
- Solid construction
- Bushes and washers included
- 12mm square rod upright
- Weld on or saddles available
- Recommended spacing maximum 1000mm



Available in weld on
No visible fixings

