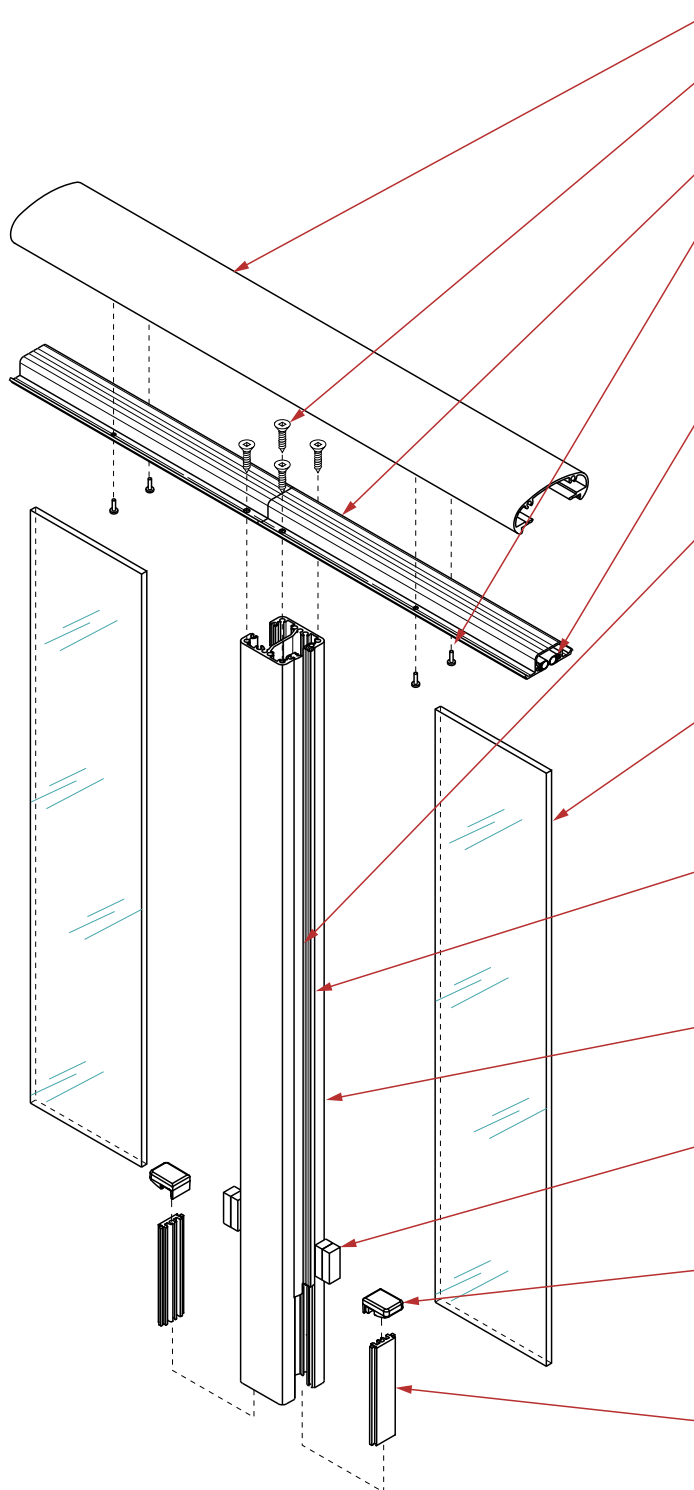


ASSEMBLY SPECIFICATIONS

NZBAL-B12.0 | SPEC ID AS.41.08T

'SIENA' (VRE TOP RAIL)

Refer elsewhere for corners, slopes and other situations not illustrated here.



VRE TOP RAIL

FV10-19 SCREWS. 4 per post. Drill size = $\varnothing 5.5\text{mm}$.

PZT INNER TOP RAIL

FS4-4 RIVETS. 1 pair within 150mm from panel ends; and at 1000mm maximum centres between, and on either side of joints in Outer Top Rail. Drill size = $\varnothing 3.3\text{mm}$.

SRD RETAINED GASKET both sides of glass. Must be slid into rail prior to assembly.

RETAINED GASKET to the outer face of glass, either SRG70 for 6mm and 8mm glass, or SRG40 for 10mm and 12mm glass. Must be slid into post prior to assembly.

TOUGHENED GLASS, of appropriate thickness, depending on the post spacing. Refer to Style Specification. Exposed horizontal edges to be flat polished.

WEDGE GASKET to the inner face of glass, either SWE70 for 6mm glass, SWE50 for 8mm glass, SWE55 for 10mm glass, or SWE35 for 12mm glass.

APR2 (illustrated), APS or APE RECESSED POST. On 90° corners use APQ2 CORNER RECESSED POST

SETTING BLOCKS to back of glazing cavity, just above the AKS plate. Refer to table in Chapter 5 for type and quantity.

AKS2 BRACKET, to support glass. Attach to AIA insert (press fit). For further detail of bracket attachment for situations, refer to "AKS attachment" pages in Chapter 5.

AIA INSERT for supporting glass by transferring weight down to base plate or substrate.

Specifications subject to change without notice