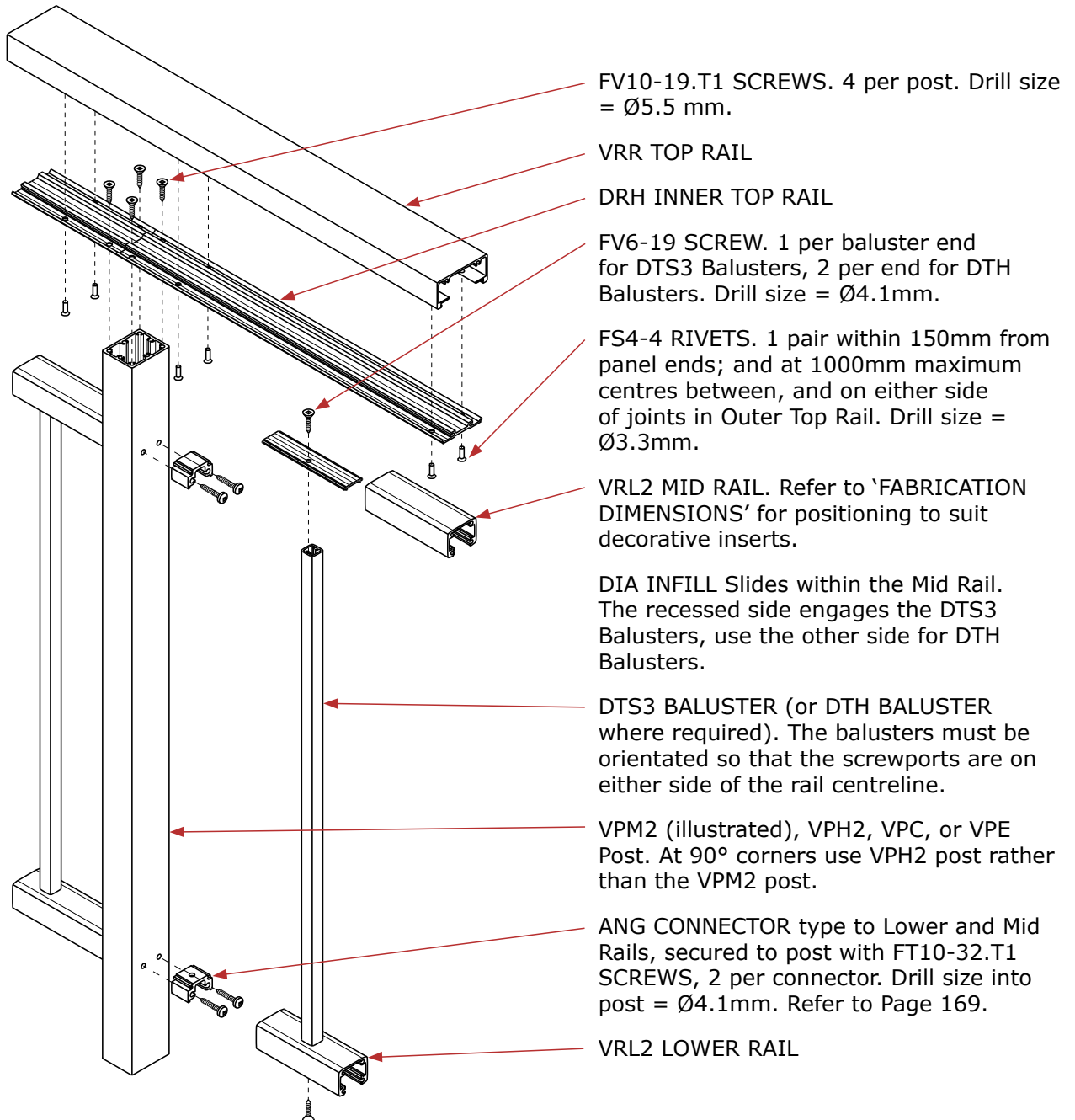


ASSEMBLY SPECIFICATIONS

NZBAL-A12.0 | SPEC ID AS.05.12T

'WINDSOR' (VRR TOP RAIL)

Refer elsewhere for corners, slopes and other situations not illustrated here.



Specifications subject to change without notice