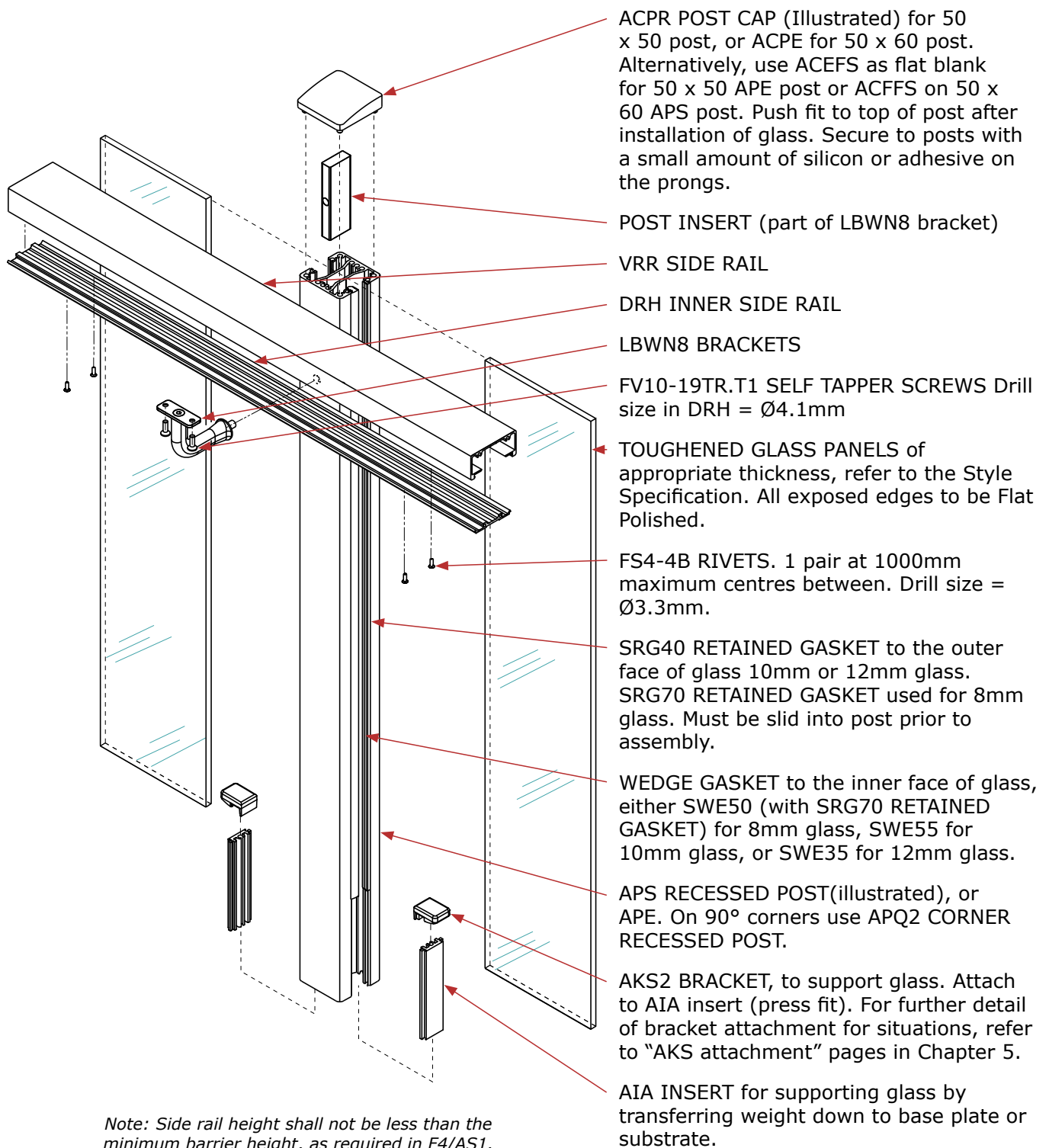


ASSEMBLY SPECIFICATIONS

NZBAL-C12.0 | SPEC ID AS.35.12S

'VETRO' (VRR SIDE RAIL)

Refer elsewhere for corners, slopes and other situations not illustrated here.



Note: Side rail height shall not be less than the minimum barrier height, as required in F4/AS1.

Specifications subject to change without notice