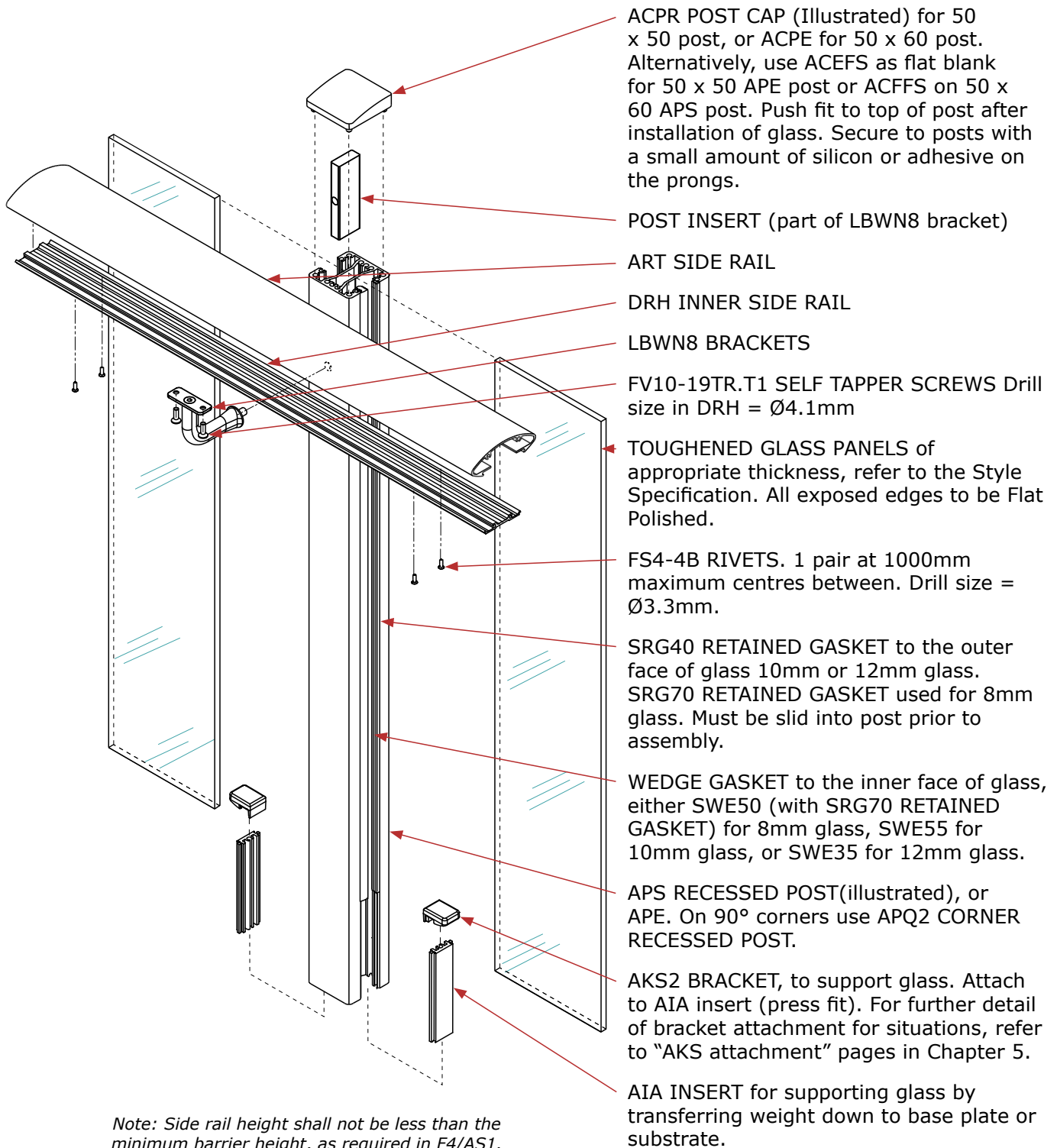


'VETRO' (ART SIDE RAIL)

Refer elsewhere for corners, slopes and other situations not illustrated here.



ACPR POST CAP (Illustrated) for 50 x 50 post, or ACPE for 50 x 60 post. Alternatively, use ACEFS as flat blank for 50 x 50 APE post or ACFFS on 50 x 60 APS post. Push fit to top of post after installation of glass. Secure to posts with a small amount of silicon or adhesive on the prongs.

POST INSERT (part of LBWN8 bracket)

ART SIDE RAIL

DRH INNER SIDE RAIL

LBWN8 BRACKETS

FV10-19TR.T1 SELF TAPPER SCREWS Drill size in DRH = Ø4.1mm

TOUGHENED GLASS PANELS of appropriate thickness, refer to the Style Specification. All exposed edges to be Flat Polished.

FS4-4B RIVETS. 1 pair at 1000mm maximum centres between. Drill size = Ø3.3mm.

SRG40 RETAINED GASKET to the outer face of glass 10mm or 12mm glass. SRG70 RETAINED GASKET used for 8mm glass. Must be slid into post prior to assembly.

WEDGE GASKET to the inner face of glass, either SWE50 (with SRG70 RETAINED GASKET) for 8mm glass, SWE55 for 10mm glass, or SWE35 for 12mm glass.

APS RECESSED POST(illustrated), or APE. On 90° corners use APQ2 CORNER RECESSED POST.

AKS2 BRACKET, to support glass. Attach to AIA insert (press fit). For further detail of bracket attachment for situations, refer to "AKS attachment" pages in Chapter 5.

AIA INSERT for supporting glass by transferring weight down to base plate or substrate.

Note: Side rail height shall not be less than the minimum barrier height, as required in F4/AS1.