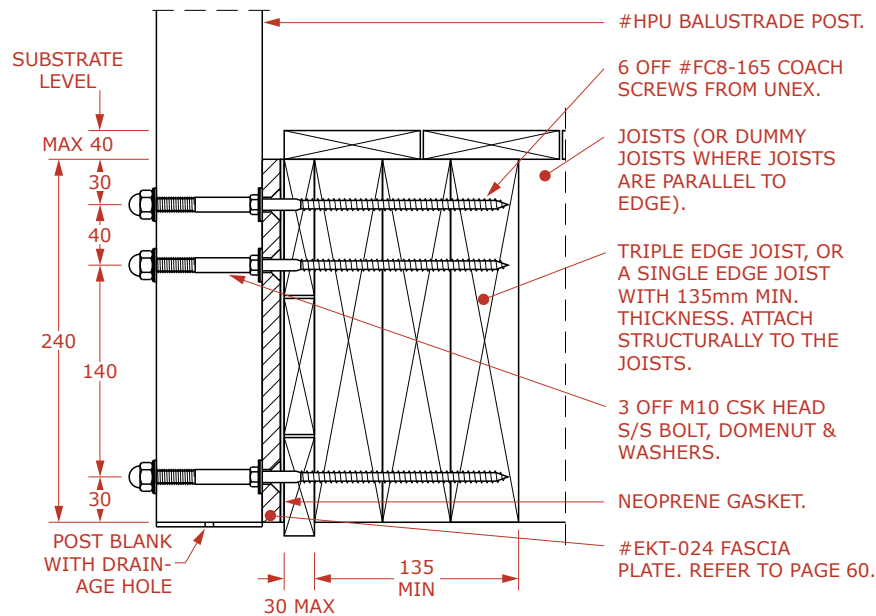




X1500, WET TIMBER EKT-240 SIDEFIXING, SPECIFICATION (EX-BA.01)F.28.31

This is a Standard Fixing Specification for the use of Extreme Barriers system, and must only be used in conjunction with the Specification Notes on page 38, and the relevant Style Specification on pages 14-19. Installation must be completed in accordance with the Installation Guide on pages 64-73.



THIS STANDARD SPECIFICATION IS COMPATIBLE WITH THE STYLE SPECIFICATION ON PAGES 14-19. REFER TO UNEX SYSTEMS FOR ALTERNATIVE STYLE SPECIFICATIONS AND NON-STANDARD FIXING METHODS.

NOTES RELATING TO THIS SPECIFICATION

1. Structural timber must be Pinus Radiata VSG8 or MSG8.
2. Cavities between the EKT-024 fascia plate and the supporting substrate must be packed solid with No 1 Pinus Radiata or material having an equivalent bearing strength and durability
3. Substrate design including structural design of the timber substrate and its connections are not included in this specification and must be carried out by others.