

Basin Mixer: 37301A-4ND
Tall Basin Mixer: 37303A-4ND

BEFORE YOU BEGIN

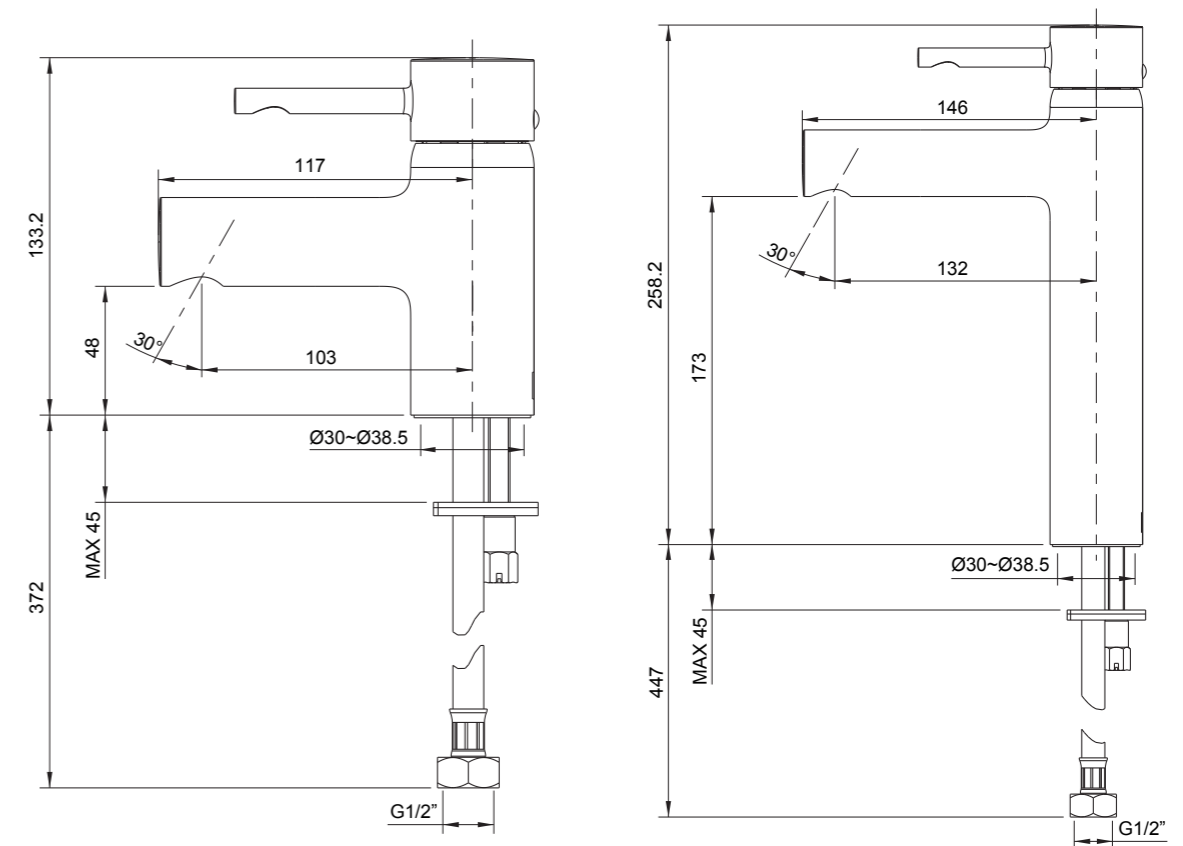
All information is based on the latest product information available at the time of publication. Kohler Co. reserves the right to make changes in product characteristics, packaging, or availability at any time without notice.

Please leave these instructions for the consumer. They contain important information.

NOTES:

1. Flush the water supply pipes thoroughly to remove any debris.
2. An in line water filter must be used with this product.
3. Inspect the supply pipes for damage. Replace as necessary.
4. Observe local plumbing codes.
5. If possible, install this basin set before installing the basin.
6. Recommended working pressure: 100KPa to 500KPa.
7. Maximum working pressure: 800KPa.
8. All installations should comply with the relevant requirements of AS/NZS 3500 and AS/NZS 6400.

ROUGH-IN DIMENSIONS

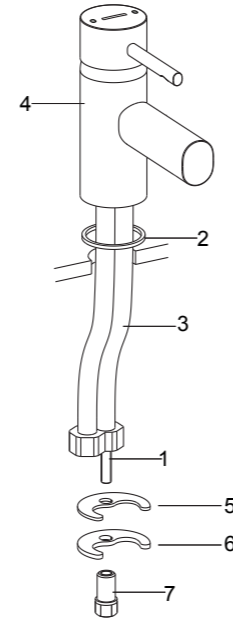


37301A-4ND

37303A-4ND

INSTALLATION

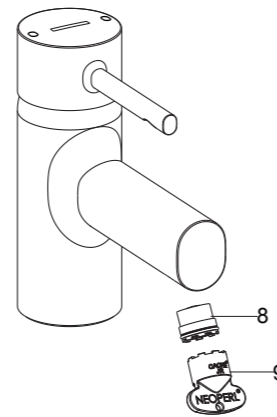
- 1.) Screw the stud(1) into the thread hole on the bottom of the tap body(4).
- 2.) Put the washer(2) into the bottom of the body(4) by inserting over the flexible hoses(3) and stud(1).
- 3.) Position the tap into the pre-drilled hole in the deck. From the underside of the basin, fit the washer(5), bracket(6) and nut(7) onto the stud and loosely tighten.
- 4.) Position the tap on the basin. Once aligned properly, tighten the mount nut firmly using the wrench.
- 5.) Fasten the G 1/2 hose fittings to the water supplies. The hoses will be identified with stickers. Refer to the rough-in for proper hot and cold tap operation.



Note: If servicing the valve, carefully remove the plug at the rear of the handle and loosen the set screw using an allen wrench. The handle will slide off. Next, pry the bonnet and unscrew the valve nut to access the valve. When re-assembling the new valve be sure to firmly tighten the mount nut. Be careful not to over tighten.

INSTALLATION CHECKOUT

- 1.) Ensure that all coupling nuts are fastened securely.
- 2.) Ensure the handle is in the off position.
- 3.) Open the drain. Turn on the main water supply and check for leaks. Repair as needed.
- 4.) Remove the aerator(8) using the key(9).
- 5.) Turn the tap on and flush hot and cold water through the spout for about one minute to remove any debris. Re-check for leaks at this time. Turn the tap off.
- 6.) Remove any debris from the aerator and reinstall.



CLEANING INSTRUCTIONS

All Finishes: Clean the finish with mild soap and warm water. Wipe entire surface completely dry with a clean soft cloth. Many cleaners may contain such chemicals as ammonia, chlorine, toilet chemicals etc. which could adversely affect the finish and are not recommended for cleaning.

Do not use abrasive cleaners or solvents on Kohler fittings.

KOHLER®

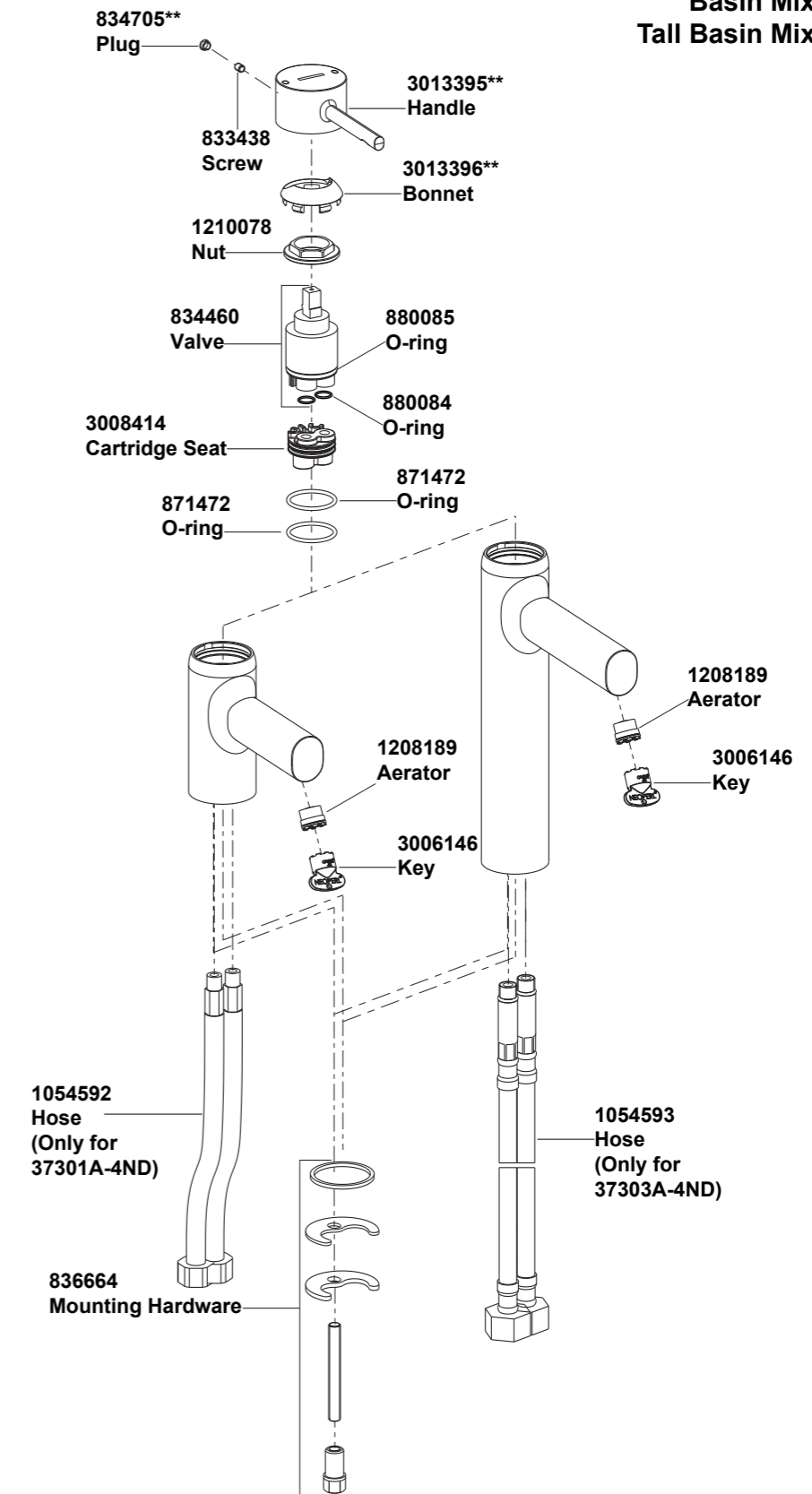
SPARE PARTS

BASIN TAPWARE

CUFF

Hob Mount Single Lever Mixers

Basin Mixer: 37301A-4ND
Tall Basin Mixer: 37303A-4ND



**Color code must be specified when ordering