

Nectar Slide Shower: 98200A-CP

BEFORE YOU BEGIN

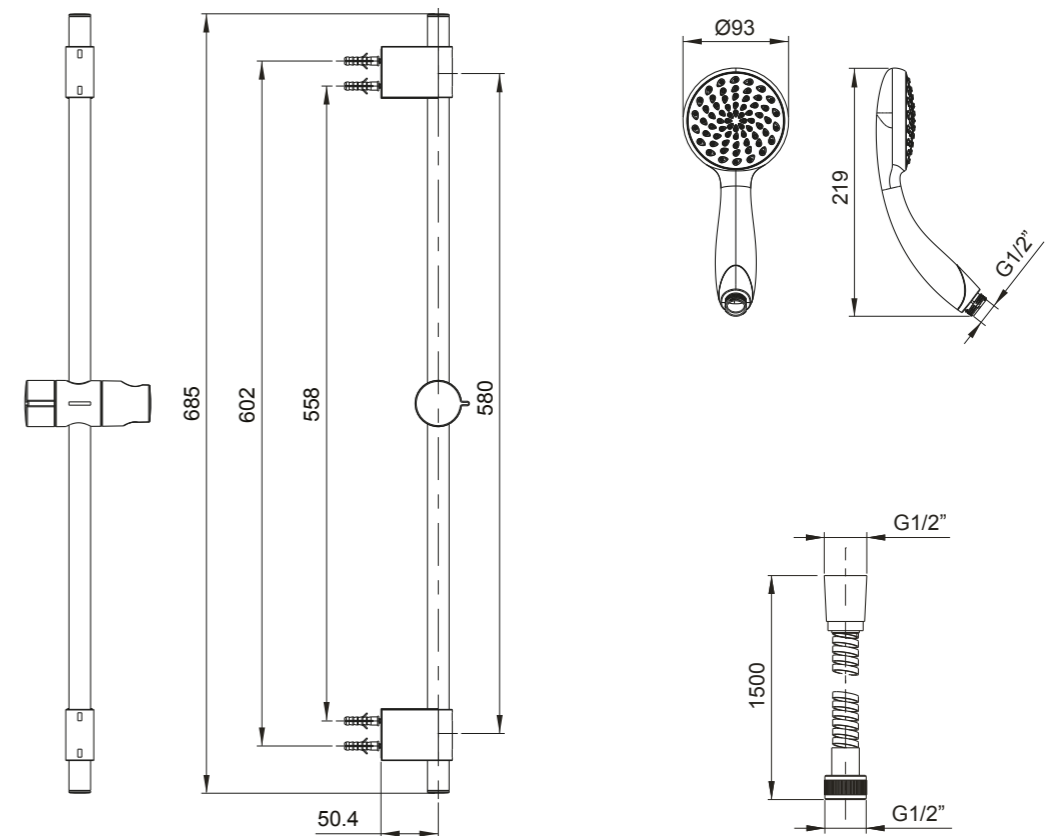
All information is based on the latest product information available at the time of publication. Kohler Co. reserves the right to make changes in product characteristics, packaging, or availability at any time without notice.

Please leave these instructions for the consumer. They contain important information.

NOTES:

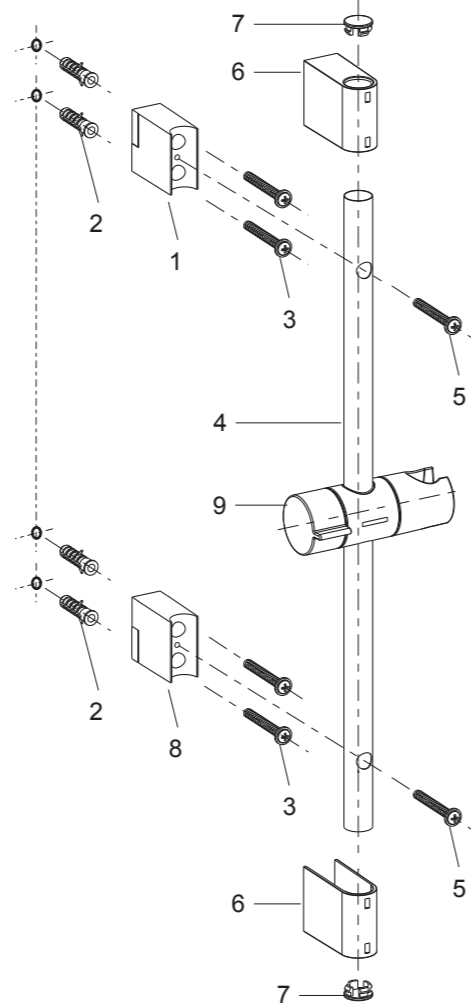
- 1.) Flush the water supply pipes thoroughly to remove debris.
- 2.) An in line water filter must be used with this product.
- 3.) The highest working pressure for the hand shower is 0.5Mpa(5 bars). If it exceeds 0.5Mpa(5 bars) a pressure reducer is needed. The highest water and environment temperature is 60 C. Please keep the hand shower away from any heater or it may become damaged and cause injury to the user.
- 4.) Don't remove the flow controller or the hand shower will be damaged.

ROUGH-IN DIMENSIONS



INSTALLATION

- 1.) Decide on a suitable position for the slide bar avoiding buried cables and pipes in the wall.
- 2.) Mark the wall fixing hole positions for the top of the slide shower and drill two holes to suit the bracket(1). Insert anchors(2) into the holes.
- 3.) Fix bracket(1) to wall using screws(3).
- 4.) Rehearse installation of the slide bar using screws(5) slide bar(4) and bracket(8). Mark the outline of the lower bracket on the wall and find the position of the holes. Drill two holes to suit the bracket(8). Insert anchors(2) into the holes.
- 5.) Fix bracket(8) to the wall using screws(3).
- 6.) Slide the handspray holder(9) onto the bar(4). Adjust the holder to the proper position. Tighten the slide bar kit with screws(5).
- 7.) Slide the bracket covers(6) onto the slide bar, and install the bar end covers(7).



CLEANING INSTRUCTIONS

All Finishes: Clean the finish with mild soap and warm water. Wipe entire surface completely dry with a clean soft cloth. Many cleaners may contain such chemicals as ammonia, chlorine, toilet chemicals etc. which could adversely affect the finish and are not recommended for cleaning.

Do not use abrasive cleaners or solvents on Kohler fittings.

KOHLER®

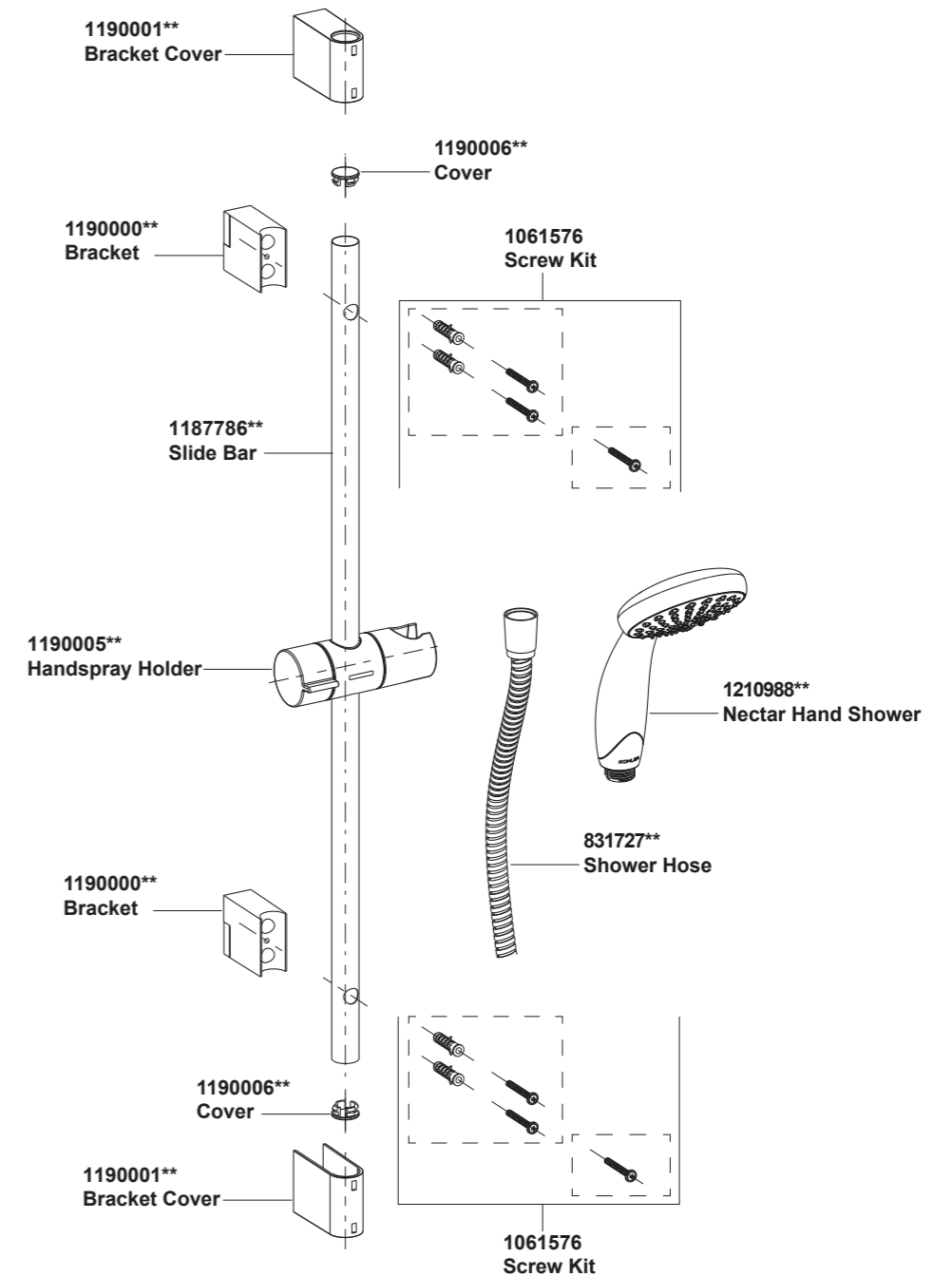
SPARE PARTS

SHOWER TAPWARE

NECTAR

Slide Shower

Nectar Slide Shower: 98200A-CP



**Color code must be specified when ordering