

## BEFORE YOU BEGIN

- Please read these instructions carefully to familiarize yourself with the required tools, materials, and installation sequences. Follow the sections that pertain to your particular installation. This will help you avoid costly mistakes. In addition to proper installation, read all operating and safety instructions.
- All information is based on the latest product information available at the time of publication. Kohler NZ Ltd. reserves the right to make changes in product characteristics, packaging, or availability at any time without notice.
- These instructions contain important care, cleaning, and warranty information—please leave these instructions for the consumer.
- Please provide adequate available space for the bath unit in accordance with rough-in. Arrange the location of drain in advance.

### **IMPORTANT:**

All installations must comply with council and local authority by-laws. It is the responsibility of the installer to ensure that the waste is made watertight by means of silicone sealant or caulking compound.

**NOTE:** Bath can be installed after the wall is completed. Bath drain supplies should be arranged preliminarily according to the selected bath.

## PRODUCT REQUIREMENTS

### A. Summary Of Key Requirements

- Observe all local plumbing codes.
- Install the unit to a level subfloor.

### B. Plumbing Specifications

- If using a rim-mounted bath faucet, flexible connections between the valves and spout may be required.
- Confirm adequate mounting, connection space of specified faucet for your installation.

### C. Product Inspection

Uncrate and inspect bath for damage. All Kohler's baths have been manufactured with sophisticated craftsmanship. However, please inspect for any possible damage that may have occurred in transit. Leave all materials in the crate during construction to prevent damage.

**NOTE:** Damage occurred during transit shall not be covered by warranty.

### D. New or Replacement Installation Requirements

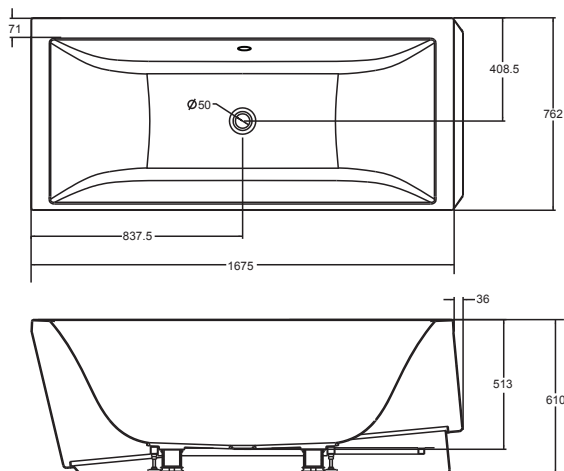
This bath can be installed in new or existing bathrooms.

For replacement: Remove the old bath, and remove enough old wall material and floor covering from the area to allow for installation. Remove any old plumbing that does not conform to the rough-in requirements.

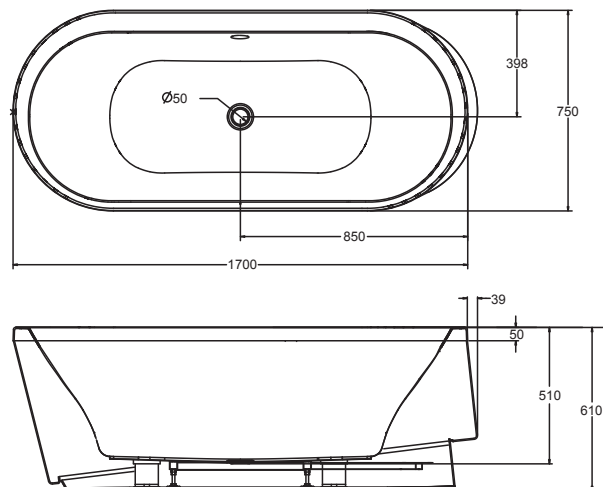
For new installation: Position the plumbing according to the rough-in dimensions. Cap the suppliers, and check for leaks.

## E. Dimensions (unit:mm)

### RECTANGULAR



### OVAL



### RECTANGULAR

Weight	55 (KG)
Water depth to overflow	426 (mm)
Capacity	235 (L)
Bathing area	1052 (mm) × 471 (mm)
Top area	1530 (mm) × 657 (mm)

### OVAL

Weight	49 (KG)
Water depth to overflow	411 (mm)
Capacity	238 (L)
Bathing area	1050 (mm) × 492 (mm)
Top area	1585 (mm) × 638 (mm)

## INSTALLATION REQUIREMENTS

### A. Tools Required

- Adjustable pipe wrench
- Rule
- Level
- Safety shoes
- Safety glasses
- Square
- Screwdriver
- Pliers
- Utility knife
- Adjustable wrench

### B. Materials Required

- Plumbers putty
- Wall coverings(as necessary)
- Silicone sealant
- Gypsum cement(optional)
- Construction adhesive (optional)
- Protective covering for bathtub
- Nails

### C. Installation Note:

Read the entire installation instructions included with fixture before beginning the installation.  
If installing a rim-mount faucet, make sure there is no interference with drain overflow before drilling any holes.

### D. Clearance Requirements

Check the rough-in and room dimensions to provide adequate available space for the bath unit.

## SITE REQUIREMENTS

### A. Subfloor Preparation

Check the flooring under the bath, and make repairs as needed. Make sure the subfloor is level. It is strongly recommended to prepare waterproof layer for the subfloor beforehand.

## BEFORE INSTALLING UNIT

### A. Protect the Bath Unit

Position a protective covering or similar material in the bottom of the unit. Be careful not to scratch the bath surface.

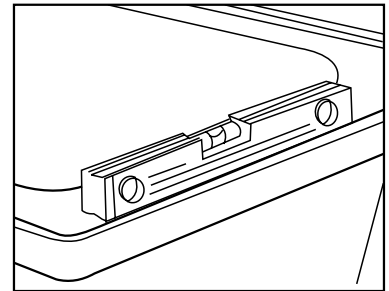
## INSTALL THE BATH

### A. Locate the bath in the proposed position

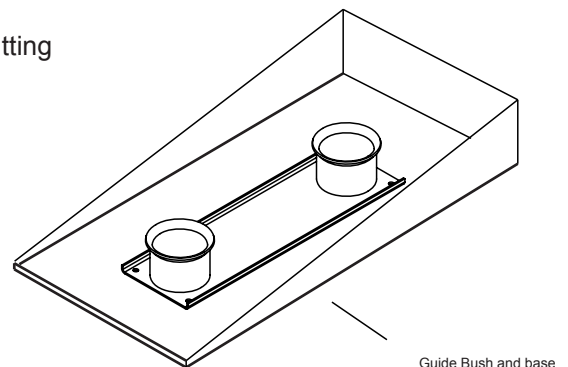
- 1) With the bath in position, adjust the feet under the bath to make it level.  
Tighten the nut on the adjustable feet to settle the height of the bath

**IMPORTANT:**

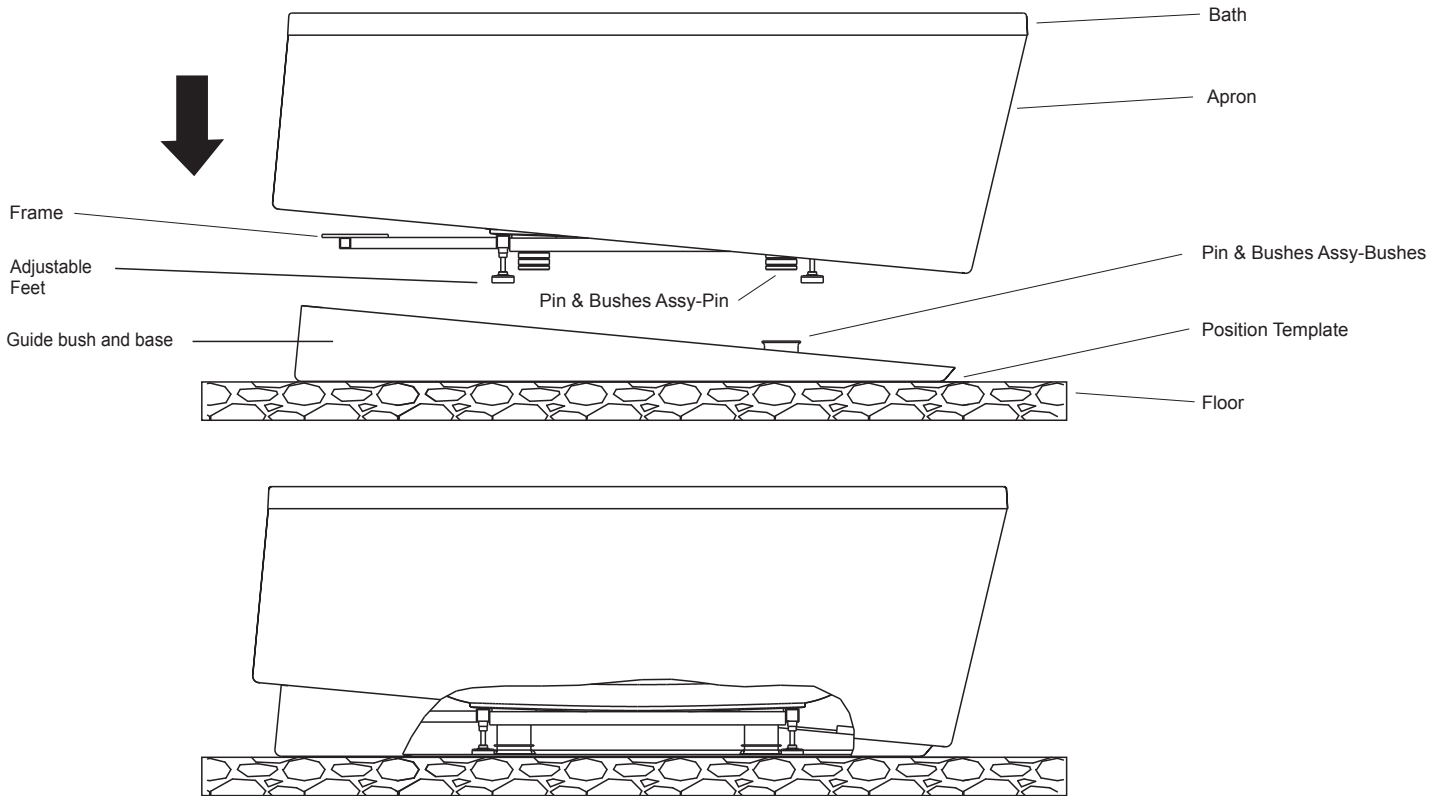
- The bath must be installed level on all top edges.  
Floor should be flat, level and free of any bumps or protrusions.



- 2) Place bath in desired location and mark out a reference around the base.
- 3) Remove the bath and place the guide bush and base assembly onto the corresponding area of the floor. Then fix guide bush onto the floor with appropriate fixing screws or bolts.
- 4) Support the bath above the floor and ensure the bath is located right above the base and guide bush, then connect the bath waste fitting
- 5) Connect cold and hot supplies and check all connections for leaks.



6) Insert guide pin into guide bush as per the guide of the position template to finally fix the bath to the floor.



## B. Plumbing Installation

The Escale Freestanding Bath is supplied with a pop-up waste system. It is recommended that a HepvO Self-Sealing Waterless Trap and Knuckle Adapter, shown on the right (Not supplied), are used in conjunction with the HepFlex flexible hose for installations where access is restricted to the underside of the bath.

([www.hepworth.co.nz](http://www.hepworth.co.nz))

Fill the bath with water before the bath is securely positioned so as to check the supply connections for leaks. Kohler Co. shall not be liable under its warranty or otherwise for damage caused by negligence.

**Note:** Take extra care to prevent damaging the bottom of the bath and the subfloor.

**NEW!**

**HepFlex™ Waste**

The HepFlex™ Waste range provides the professional installer with an efficient means to connect to appliances and existing waste pipes and offers a real solution in difficult situations.

It is ideally suited for new build as well as renovations and maintenance work. It has been designed to use in conjunction with the HepvO™ Self-Sealing Waterless Trap or to compliment rigid systems by providing an alternative method of connecting the drainage connection.

**Benefits Include:**

- Provides a neat, multi-angled bend with a smooth internal bore
- Ensures precise alignment first time, every time
- Reduces the amount of fittings needed and the time spent having to solvent weld them
- Enables quick and easy connection of two fixed points within a waste system

HepvO™ Self-Sealing Waterless Trap

3mtr x 40mm Smooth Bore White PVC Flexible Waste Pipe  
Code: FCP3

40mm White ABS Spigot Connector  
Code: FSCW6

It can also be used to facilitate the connection of two fixed points within a waste system.

HEP 24180

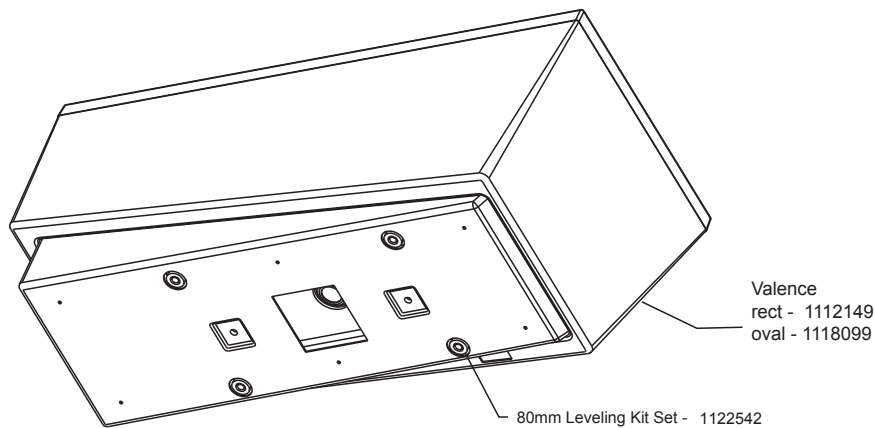
## IMPORTANT CONSUMER INFORMATION

### Cleaning and Care

Cleaning Acrylic Surfaces: Do not use abrasive cleansers on any acrylic surfaces, as they will scratch and dull the surface. Wipe out the bath after each use to prevent a build-up of soap and scum.

## SERVICABLE PARTS

Chrome pop up waste and overflow - T151010



## CONTACT AND WARRANTY INFORMATION

For warranty information, please visit our website

Australia  
[www.au.kohler.com](http://www.au.kohler.com)

New Zealand  
[www.kohler.co.nz](http://www.kohler.co.nz)

# KOHLER

## CALL US FOR HELP

NEW ZEALAND  
KOHLER NZ LTD

Free Ph: 0800 564 537 (0800 KOHLER)  
Free Fax: 0800 664 488  
[www.kohler.co.nz](http://www.kohler.co.nz)

AUSTRALIA  
KOHLER CO.

Free Ph: 1 300 362 284  
Free Fax: 1 300 652 284  
[www.au.kohler.com](http://www.au.kohler.com)