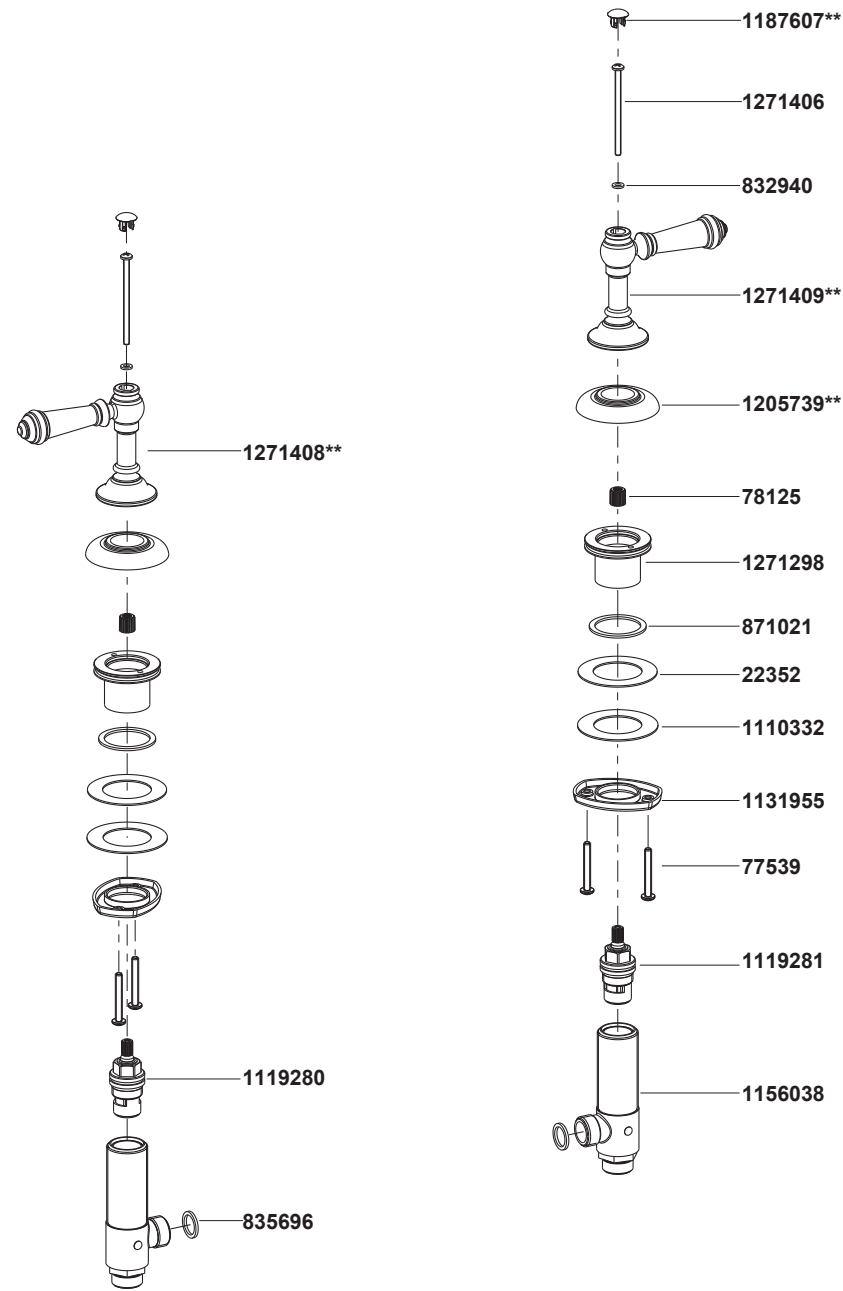


**98068T-4DR Lever Handles**



\*\*Color code must be specified when ordering.

**98068T-4DR Lever Handles**

**BEFORE YOU BEGIN**

All information is based on the latest product information available at the time of publication. Kohler Co. reserves the right to make changes in product characteristics, packaging, or availability at any time without notice.

Please leave these instructions for the consumer. They contain important information.

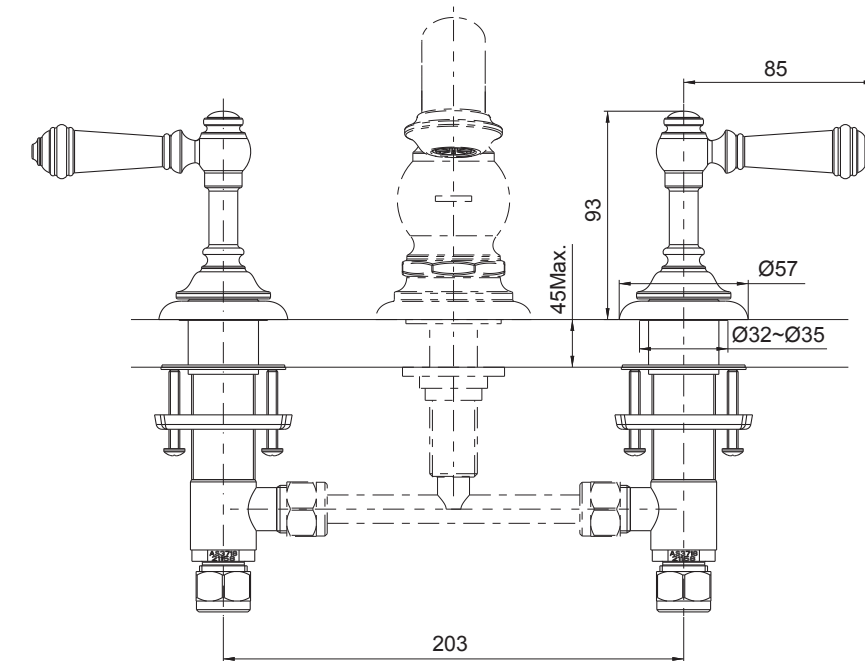
**NOTES:**

1. Flush the water supply pipes thoroughly to remove debris.
2. An in line water filter must be used with this product.
3. Inspect the supply tubing for damage and leakage. Replace and maintain as necessary.
4. Observe local plumbing codes.
5. If possible, install this faucet before installing the sink.
6. Shut off the water supplies to the fitting.
7. The lever handles must be used with the spout 77368T or 72760T-ND.
8. All installations should comply with the relevant requirements of AS/NZS 3500.

**HANDLE OPERATION**

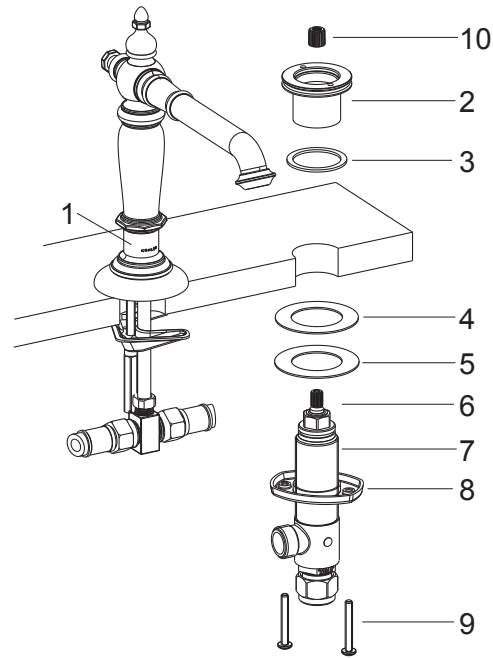
Right handle opens with turning clockwise, left handle opens with turning counter-clockwise.

**ROUGH-IN DIMENSIONS**



**98068T-4DR**

## INSTALLATION



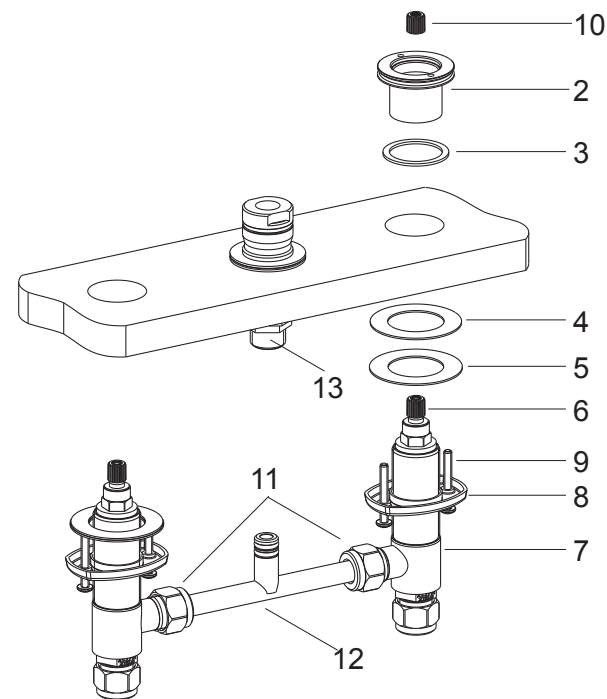
### How to Install the Side Bodies (Only for 72760T-ND)

Once the spout(1, not provided) installation is complete, remove the base nuts(2) and the washers(3) from the side bodies(7). Be sure the washers(4), steel washers(5) and the threaded rings(8) on the side bodies.

Insert the side bodies into the mounting hole from the underside of the deck. **NOTE:** The side body with red mark should be installed on the left. Put the washers(3) into the groove of the base nuts. Thread the base nuts onto each side body.

Adjust the outlet of side body to connect spout easily. Secure the threaded rings(8) by tightening screws(9) with screwdriver.

① Install the adapters(10) on the valve stems(6).



### How to Install the Side Bodies (Only for 77368T)

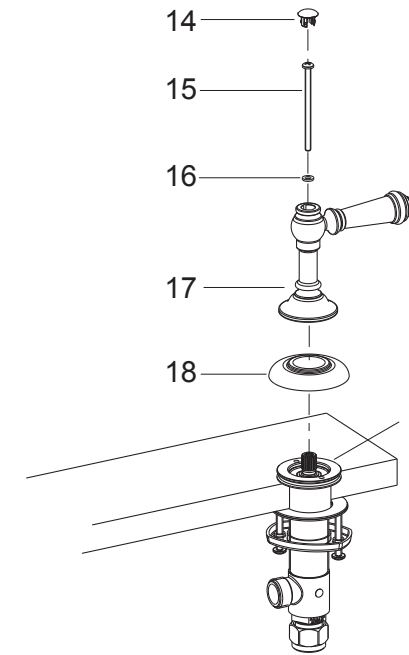
Once the spout shank(13, not provided) installation is complete, remove the base nuts(2) and the washers(3) from the side bodies(7). Be sure the washers(4), steel washers(5) and the threaded rings(8) on the side bodies.

Assemble the tee-piece(12, not provided) to the side bodies(7). Insert the side bodies into the mounting hole from the underside of the deck. **NOTE:** The side body with red mark should be installed on the left, and locate the tee-piece onto the spout shank.

If the tee-piece cannot be inserted into the shank, you can loosen the nuts(11, not provided), and adjust the tee-piece position. Then tighten the nuts(11) with a wrench.

Put the washers(3) into the groove of the base nuts(2). Thread the base nuts onto each side body.

② Install the adapters(10) on the valve stems(6).



Ensure the valves and handle kits are in the off position.

Remove the caps(14) and screws(15). Install the escutcheons(18) onto the base nuts(2) until they contact the deck. Install the handle kits(17) onto the escutcheons.

Install the screws(15) with washers(14) into the valve stems. Install the caps. **NOTE:** The handle kit with red mark should be installed on the left.

③

## INSTALLATION CHECKOUT

Ensure that all coupling nuts are tight. Ensure that the lever handles are in the off position.

Turn on the main water supply and drain, and check for leaks. Repair as needed.

## CLEANING INSTRUCTIONS

All Finishes: Clean the finish with mild soap and warm water. Wipe entire surface completely dry with clean soft cloth. Many cleaners may contain chemicals, such as ammonia, chlorine, toilet cleaner etc, which could adversely affect the finish and are not recommended for cleaning.

Do not use abrasive cleaners or solvents on Kohler faucets and fittings.