

Bath / Shower mixer without diverter: 14683A-4
Bath / Shower mixer with diverter: 14682A-4

BEFORE YOU BEGIN

All information is based on the latest product information available at the time of publication. Kohler Co. reserves the right to make changes in product characteristics, packaging, or availability at any time without notice.

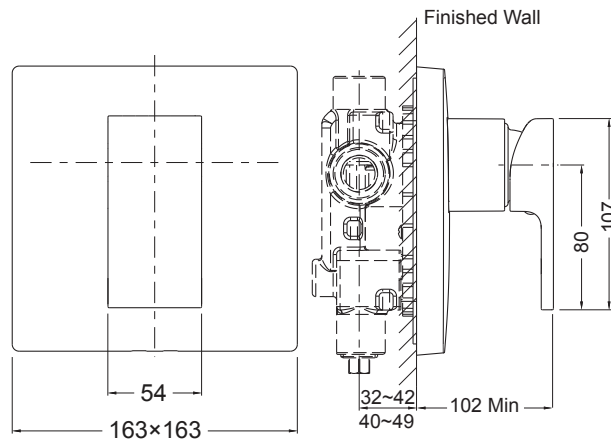
Please leave these instructions for the consumer. They contain important information.

NOTES:

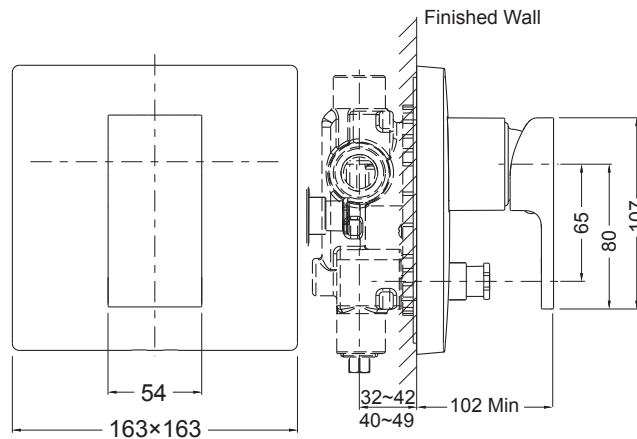
1. Flush the water supply pipes thoroughly to remove any debris.
2. Do not remove the plaster guard from the valve body until instructed to.
3. Install valve 880A according to the rough-in dimensions of 14683A-4. Install valve 882A according to the rough-in dimensions of 14682A-4. For additional valve installation instructions refer to the 40mm valve install guide (1071635-AN2).
4. All installations should comply with the relevant requirements of AS/NZS 3500.

ROUGH-IN DIMENSIONS

14683A-4



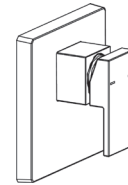
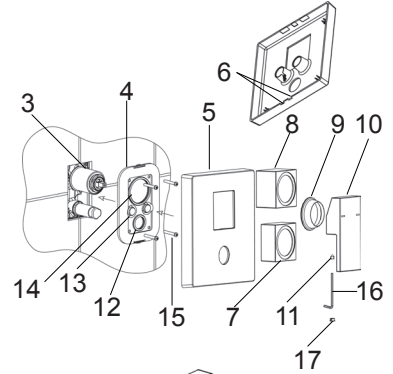
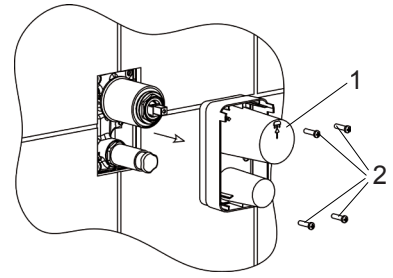
14682A-4



INSTALLATION

Note: Install valve 880A according to the rough-in dimensions of 14683A-4. Install valve 882A according to the rough-in dimensions of 14682A-4. For additional valve installation instructions refer to the 40mm valve install guide (1071635-AN2).

- 1.) Remove the plastic guard(1) after the finished wall has been completed.
- 2.) Slide the cover kit(4) onto the valve(3) with the plugs(13) facing out. Note: Don't squeeze out the rings(12,14). Push it firmly against the wall and secure it with the screws(15).
- 3.) Attach the face plate(5) onto the cover kit(6) with the slots on the bottom and push it against the wall.
- 4.) Select sleeve(7) or extension sleeve(8) according to the length of the valve extending from the finished wall, .
- 5.) Screw the bonnet(9) onto the valve.
- 6.) Install the handle(10) on the valve stem. Tighten the screw(11) with the hex wrench(16). Press plug button(17) into the hole.



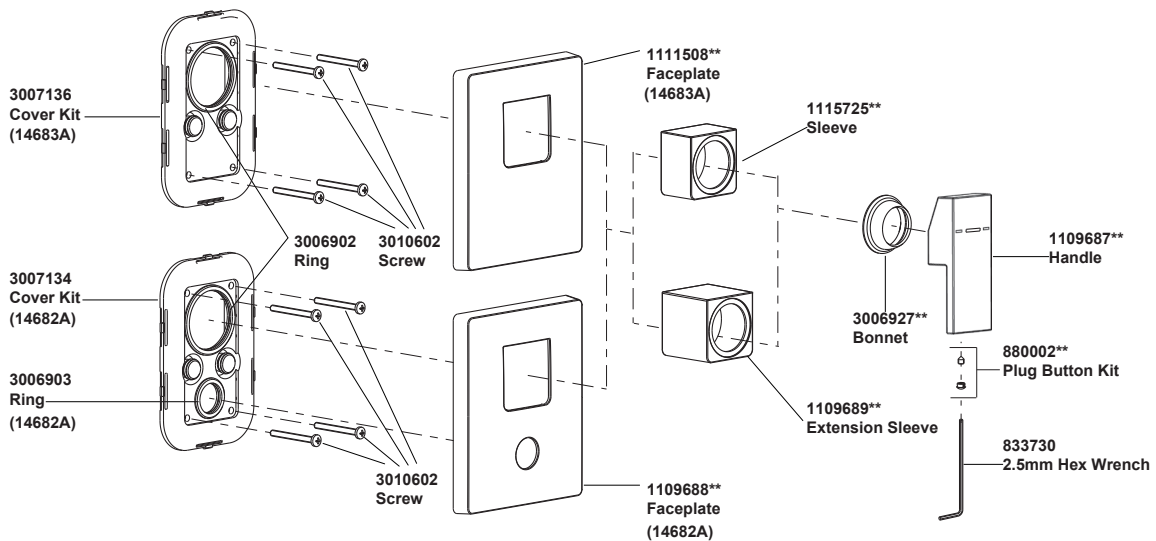
The illustration to the right shows the handle in the closed position.

CLEANING INSTRUCTIONS

All Finishes: Clean the finish with mild soap and warm water. Wipe entire surface completely dry with a clean soft cloth. Many cleaners may contain such chemicals as ammonia, chlorine, toilet chemicals etc. which could adversely affect the finish and are not recommended for cleaning.

Do not use abrasive cleaners or solvents on Kohler fittings.

SPARE PARTS



**Color code must be specified when ordering