

Product

- Escale freestanding BubbleMassage™ bath

AU Code

118729

NZ Code

610760

Kohler Code

11344A-GAB-0



Included Components

- 40mm chrome pop-up waste and overflow
- Attached heated air blower - air switch operation
- One piece acrylic skirt
- Guide bush floor mounting system with adjustable feet
- Escale bath pillow

Features

- Freestanding acrylic bath (fully reinforced)
- Multiple air holes releasing tiny bubbles
- Two piece design (bath and skirt)
- Tapware deck
- Simple drop on guide bush floor location system
- Feet are adjustable

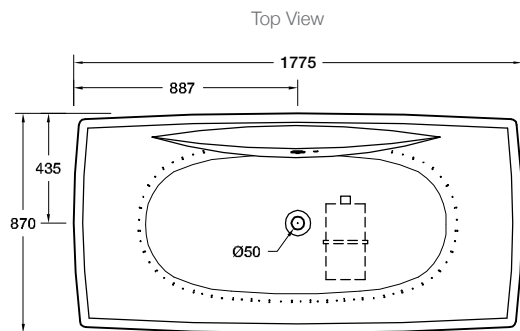
Optional Accessories

- Tapware (page 6.0.1)

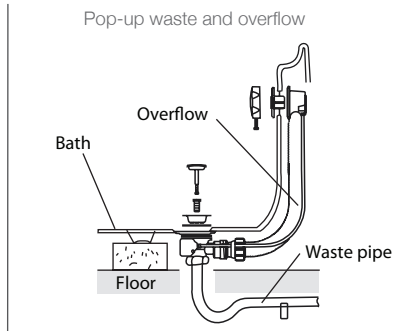
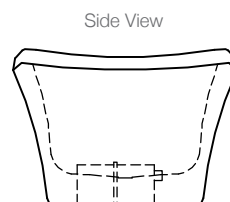
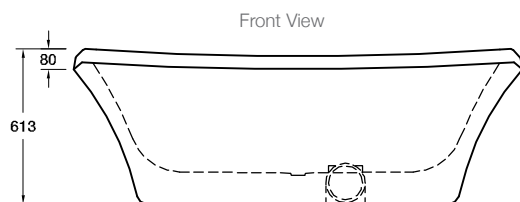
Related Products

- Escale basins (page 1.0.1)
- Escale toilets (page 2.0.1)
- Escale baths (page 3.0.1)
- Escale furniture (page 8.0.1)

Technical Details



External Measurements	
L 1775 x W 870 x D 613	
Internal Measurements	
Seating Width:	430mm
Base Length:	1200mm
Depth:	340mm
Full Capacity	180L
Dry Weight	53kg



Installation Notes:

- Floor must provide support for a minimum of 400kg and must be level.
- Utilises a simple drop on guide bush system (supplied) to secure bath to floor. Simply fix the guide bush to the floor using appropriate screws or bolts (not supplied). Lower bath onto guide bush and adjust feet.
- It is recommended that a Hepworth flexible waste trap system (not supplied) is used to connect the waste outlet.
- Requires 220-250V, 10A, 50HZ, dedicated service on ELCD or RCD circuit.