

Product

- Strayt wall mount single lever basin mixer

Kohler Code

79032T-4ND-CP



Included Components

- In wall valve
- Trim kit
- Spout

Features

- Polished chrome
- Metal construction
- Ceramic disc valve
- Suitable for mains pressure
- Kohler finishes resist tarnishing and corrosion

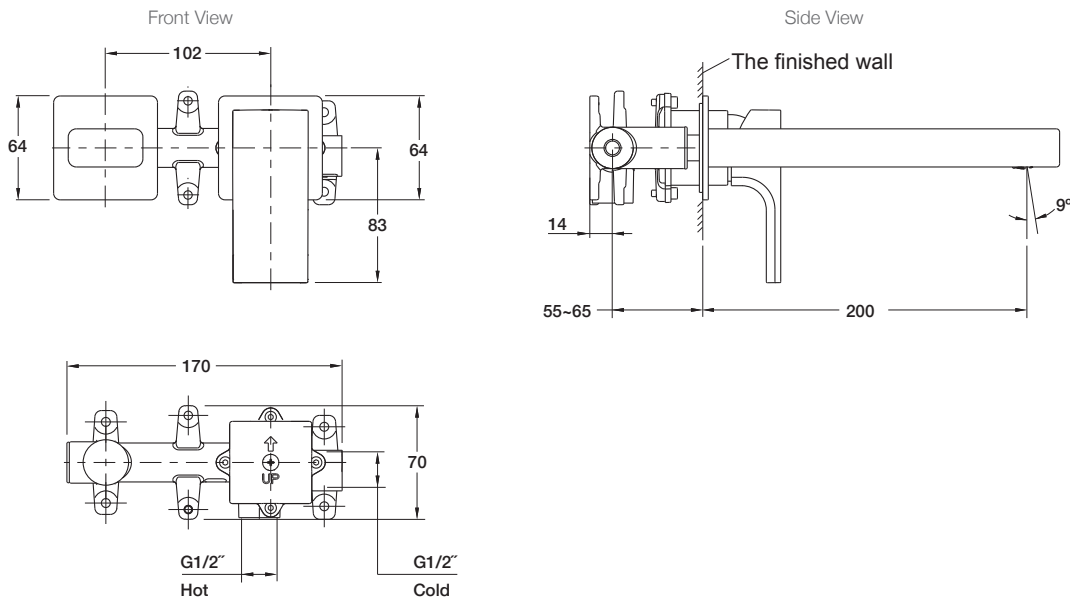


WELS RATING
(5 Star 6 Litres / min)

Related Products

- Strayt tapware
- Strayt accessories

Technical Details



Installation Notes:

- G1/2" female inlets.
- Optimum working pressure 300-500 kPa.
- Maximum hydrostatic pressure 800 kPa (This pressure may be exceeded only under test conditions).
- Maximum working temperature 60°C.
- Where normal working pressure exceeds the maximum, pressure limiting valves should be installed.
- Inline filters should be used to protect tapware from debris that may be present within the plumbing.