

Product

- Avid® Floor Mount Bath Filler

Kohler Code

21359A-**



NOTE: Polished Chrome version shown

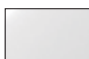
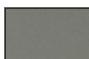
Included Components

- 97367T-4E Floor Mount bath filler
- 97905T-DR Floor Mount fixing kit

Features

- Integrated hand shower with diverter
- Polished Chrome or PVD Titanium finish
- Metal construction
- Ceramic disc cartridge
- Suitable for mains pressure
- KOHLER finishes resist tarnishing and corrosion

Finish Options (Colour swatches indicative only)

-  21359A-CP - Polished Chrome
-  21359A-TT - PVD Titanium

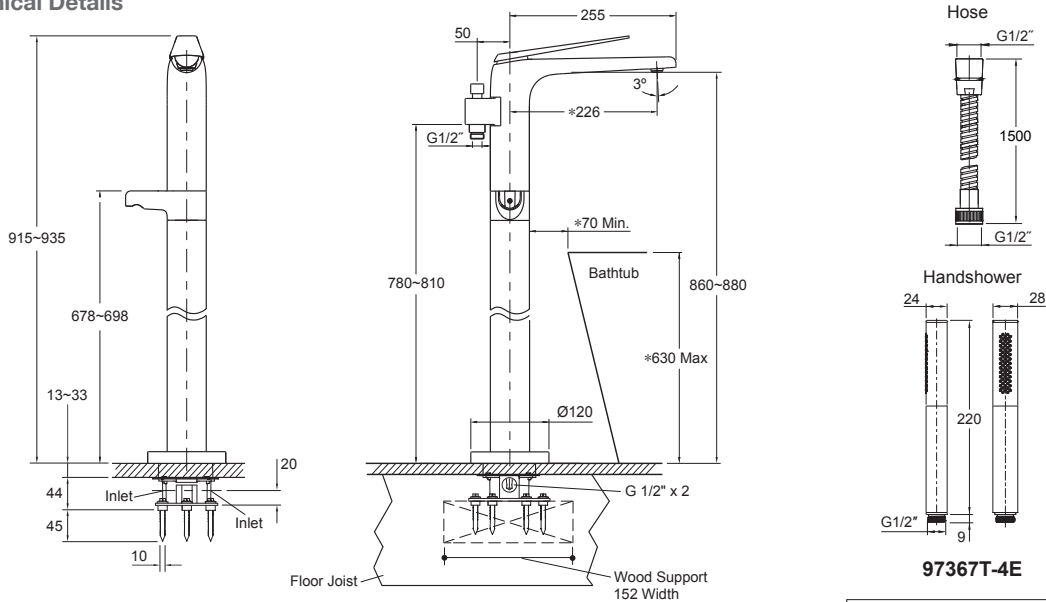


WELS RATING
(3 Star 9 Litres / min)

Related Products

- Avid tapware
- Avid accessories

Technical Details



*Please consider the bath filler dimensions before purchasing the bath.

G 1/2" is equal to BSP 1/2"

Installation Notes:

- Adequate floor support is required. The wood support must be a minimum of 2" (51mm) thick by 6" (152mm) wide.
- Optimum working pressure: 300-500 kPa.
- Minimum inlet water pressure for the diverter: 50 kPa.
- Maximum working pressure for handshower: 500 kPa.
- Maximum hydrostatic pressure: 800 kPa (This pressure may be exceeded only under test conditions).
- Where normal working pressure exceeds the maximum, a pressure reducer should be installed.
- Maximum temperature 60°C.
- Inline filters should be used to protect tapware from debris that may be present within the plumbing.