

**Product**

- Purist low spout basin set with lever handles

**Kohler Code**

14410A-B4\*



**Included Components**

- Concealed breach piece

**Features**

- Choice of 5 colours
- Metal construction
- ¼ turn ceramic disc valves
- Suitable for mains pressure
- KOHLER finishes resist tarnishing and corrosion



WELS RATING  
(5 Star 6.0 Litres / min)

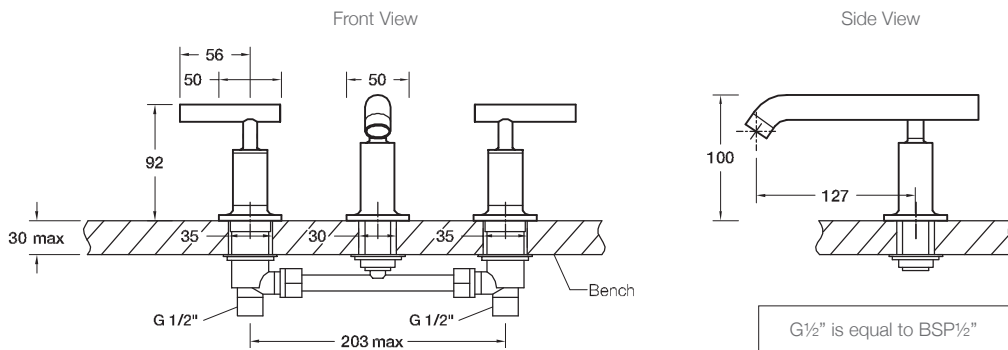
**PVD Colour Options** (Colour swatches indicative only)

-  14410A-B4-CP - Polished Chrome
-  14410A-B4-BV - Vibrant Brushed Bronze
-  14410A-B4-BN - Vibrant Brushed Nickel
-  14410A-B4-PGD - Vibrant Moderne Polished Gold
-  14410A-B4-RGD - Vibrant Rose Gold

**Related Products**

- Purist tapware
- Purist accessories

**Technical Details**



**Installation Notes:**

- G1/2" male inlets.
- Optimum working pressure 300-500 kPa.
- Maximum hydrostatic pressure 800 kPa (This pressure may be exceeded only under test conditions).
- Maximum temperature 80°C.
- Maximum bench thickness is 30mm.
- Where normal working pressure exceeds the maximum, pressure limiting valves should be installed.
- Inline filters should be used to protect tapware from debris that may be present within the plumbing.