

**Product**

- Cuff shower or bath mixer only - 40mm
- Cuff shower and bath mixer with diverter - 40mm

**Kohler Code**

98621A-CP  
98623A-CP

**Included Components**

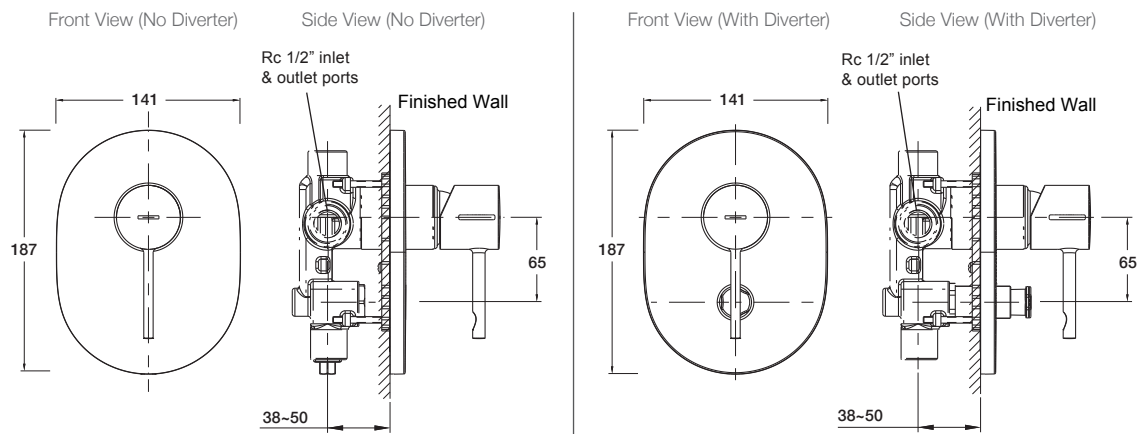
- In wall valve
- Trim kit

**Features**

- Diverter version allows water to be delivered through a bath spout or shower.
- Polished chrome
- Ceramic disc valve
- Suitable for mains pressure
- KOHLER finishes resist tarnishing and corrosion

**Related Products**

- Cuff tapware (page 6.0.1)

**Technical Details****Installation Notes:**

- Inlets and outlets are Rc1/2" female.
- Non-diverter version includes an Rc1/2" male plug.
- Optimum working pressure 100-500 kPa.
- Maximum hydrostatic pressure 800 kPa (This pressure may be exceeded only under test conditions).
- Maximum temperature 80°C.
- Where normal working pressure exceeds the maximum, pressure limiting valves should be installed.
- For optimum installation it is important that the valve is installed plumb on both horizontal and vertical planes.
- Inline filters should be used to protect tapware from debris that may be present within the plumbing.