

**Product**

- Loure hob mount basin set

**Kohler Code**

14661T-4-CP



**Included Components**

- Concealed breech/valve body

**Features**

- Polished chrome
- Metal construction
- ¼ turn ceramic disc valves
- Suitable for mains pressure
- KOHLER finishes resist tarnishing and corrosion

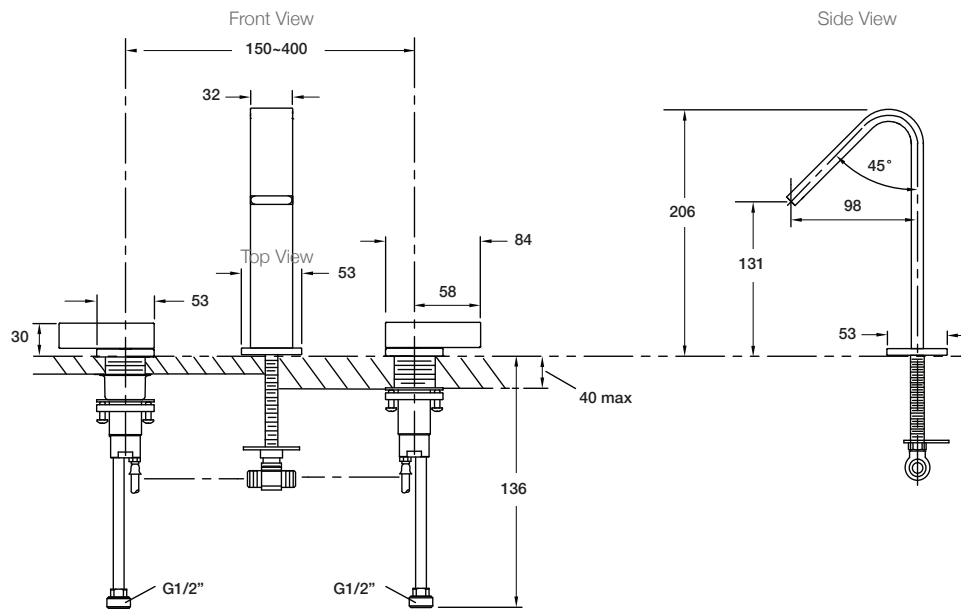


WELS RATING  
(5 Star 6 Litres / min)

**Related Products**

- Loure tapware
- Loure accessories

**Technical Details**



**Installation Notes:**

- Female G1/2" inlets.
- Working pressure 100-500 kPa.
- Maximum hydrostatic pressure 800 kPa (This pressure may be exceeded only under test conditions).
- Maximum temperature 80°C.
- Where normal working pressure exceeds the maximum, pressure limiting valves should be installed.
- Inline filters should be used to protect tapware from debris that may be present within the plumbing.