

**Product**

- Verticyl oval under counter basin

**Kohler Code**

2881T-0



Tapware and waste not included

**Included Components**

- Bench top cutting template
- Bench fixing clamps
- Bench fixing anchors and screws

**Features**

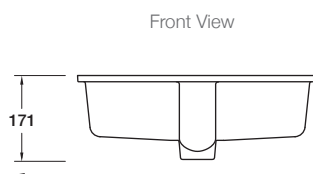
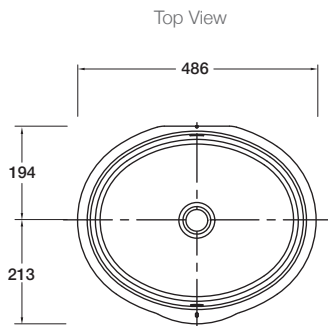
- Available in white
- Under counter installation
- Overflow outlet
- Vitreous china

**Optional Accessories**

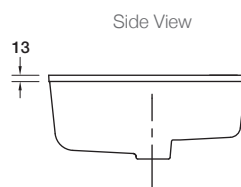
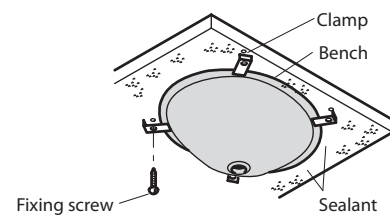
- Tapware (page 6.0.1)
- Generic basin accessories (section 1.8)

**Related Products**

- Verticyl basins (page 1.0.1)

**Technical Details**

Weight: 9kg Appr

**Basin installation****Installation Notes:**

- To install, a hole must first be made in the bench top using the template (supplied). Flexible silicone sealant (not supplied) is then applied to the top side of the basin and clamps (supplied) are used to fix the basin to the underside of the bench.