

**Product**

- Verticyl round undercounter basin

**Kohler Code**

2883-0

**Included Components**

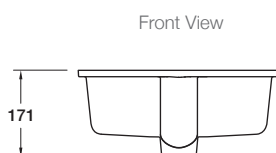
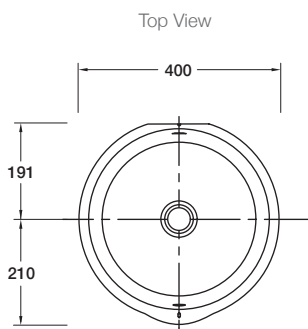
- Bench top cutting template
- Bench fixing clamps
- Bench fixing anchors and screws

**Features**

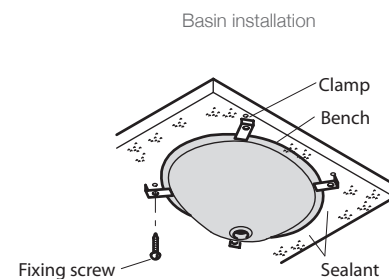
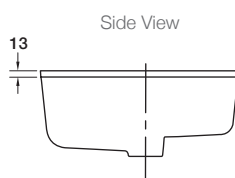
- Available in white
- Under bench top installation
- Overflow outlet
- Vitreous china

**Optional Accessories**

- Tapware (page 6.0.1)
- Generic basin accessories (section 1.8)

**Technical Details**

Weight: 8kg Appr

**Installation Notes:**

- To install, a hole must first be made in the bench top using the template (supplied). Flexible silicone sealant (not supplied) is then applied to the top side of the basin and clamps (supplied) are used to fix the basin to the underside of the bench.