

Product

- Chord vessels basin with 1 tap hole
- Chord vessels basin with 3 tap holes

NZ Code

530557
530200

Kohler Code

2331-1-0
2331-8-0



Tapware and waste not included

Included Components

- Bench top cutting template

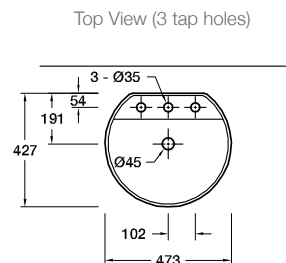
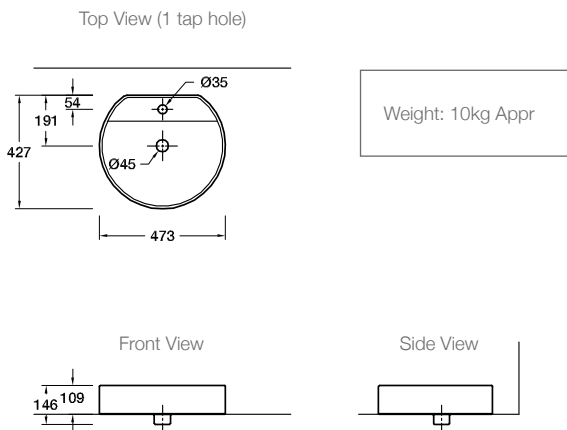
Features

- Choice of 1 or 3 tap holes
- Bench top installation
- Tapware mounted on basin
- Vitreous china
- Fully glazed at back of basin

Optional Accessories

- Tapware
- Generic basin accessories

Technical Details



Installation Notes:

- Allow a minimum of 50mm from the wall for easy cleaning.
- Fully glazed at back of basin allowing it to be installed forward of the wall.
- A hole for the waste and water inlets needs to be made in the bench top (please refer to cutting template).