

Product

- Cuff single lever basin mixer

Kohler Code

37301A-4ND-CP



WELS RATING
(5 Star 6 Litres / min)

Included Components

- Braided stainless steel hoses

Features

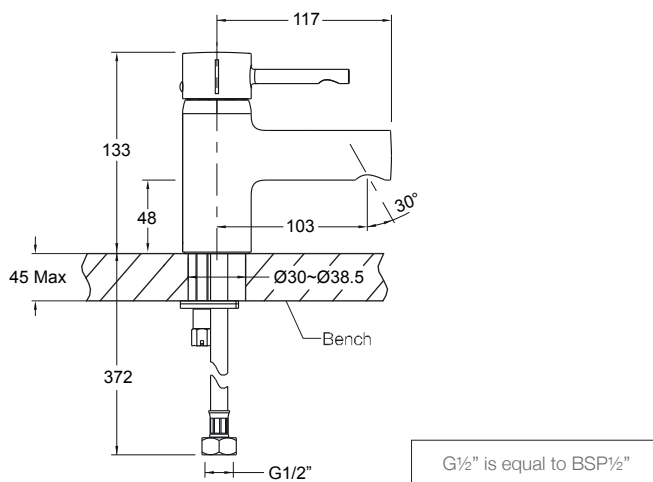
- Polished chrome
- Metal construction
- Ceramic disc valve
- Suitable for mains pressure
- KOHLER finishes resist tarnishing and corrosion

**Related Products**

- Cuff tapware (page 6.0.1)

Technical Details

Side View

**Installation Notes:**

- Optimum working pressure 100-500 kPa.
- Maximum hydrostatic pressure 800 kPa (This pressure may be exceeded only under test conditions).
- Maximum temperature 80°C.
- Maximum bench thickness is 45mm.
- Where normal working pressure exceeds the maximum, pressure limiting valves should be installed.
- Inline filters should be used to protect tapware from debris that may be present within the plumbing.