

**Product**

- Purist hob mount basin set - Chrome
- Purist hob mount basin set - Rose Gold

**Kohler Code**

14406A-4-CP  
14406A-4-RGD



**Included Components**

- Concealed breach pieces

**Features**

- Polished chrome or Rose Gold
- Metal construction
- 1/4 turn ceramic disc valves
- Suitable for mains pressure
- KOHLER finishes resist tarnishing and corrosion

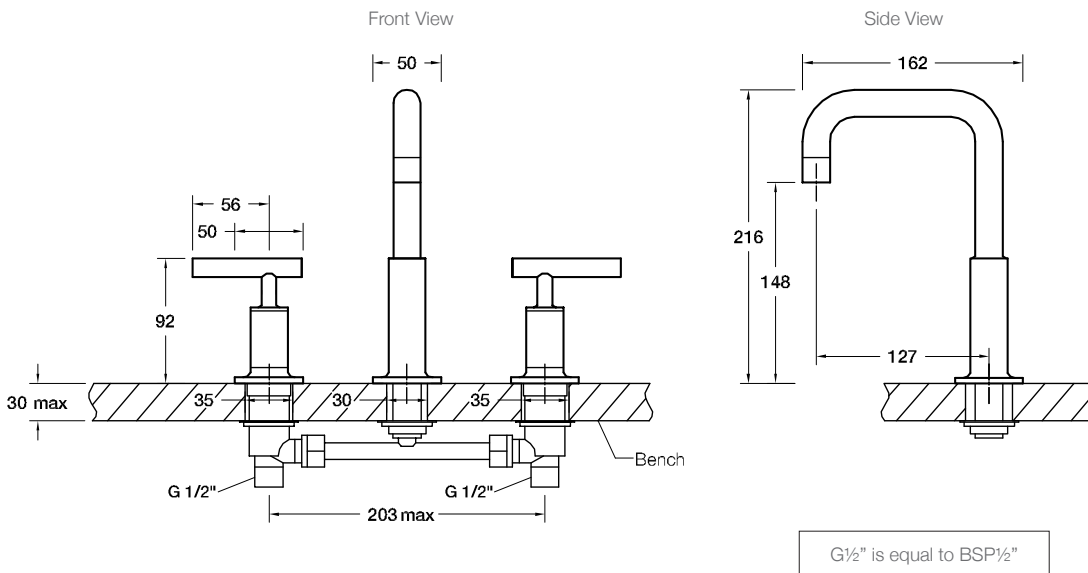


WELS RATING  
(4 Star 7.2 Litres / min)

**Related Products**

- Purist basins
- Purist whirlpools
- Purist tapware
- Purist accessories

**Technical Details**



**Installation Notes:**

- G1/2" male inlets.
- Optimum working pressure 300-500 kPa.
- Maximum hydrostatic pressure 800 kPa (This pressure may be exceeded only under test conditions).
- Maximum temperature 80°C.
- Maximum bench thickness is 30mm.
- Where normal working pressure exceeds the maximum, pressure limiting valves should be installed.
- Inline filters should be used to protect tapware from debris that may be present within the plumbing.