

# Concelo.<sup>®</sup>

## LAUNDRY

### CRL160D CRL235D INSTALLATION INSTRUCTIONS



READ ALL INSTRUCTIONS BEFORE INSTALLING THIS BIN UNIT.  
FAILURE TO INSTALL THE BIN CORRECTLY MAY VOID WARRANTY.

#### INSTALLATION VIDEO PLEASE WATCH FIRST:

**NZ:** [hideawaybins.co.nz/concelo-laundry-installation](https://hideawaybins.co.nz/concelo-laundry-installation)  
**AUS:** [hideawaybins.com.au/concelo-laundry-installation](https://hideawaybins.com.au/concelo-laundry-installation)  
Or scan the QR code...

If predrilling using CNC refer to:  
**NZ:** [hideawaybins.co.nz/info/downloads](https://hideawaybins.co.nz/info/downloads)  
**AUS:** [hideawaybins.com.au/info/downloads](https://hideawaybins.com.au/info/downloads)  
for drilling position CAD files.

New Zealand



Australia



#### BENCH OVERHANG CLEARANCE:

The Hideaway Concelo range has been designed with over extension drawer runners which allow for a bench overhang of up to 50mm. If more bench overhang clearance is required, please mount the bin lower in the cabinet.

#### HIDEAWAY NEW ZEALAND

09 426 7456 / [info@hideawaybins.co.nz](mailto:info@hideawaybins.co.nz) / [hideawaybins.co.nz](https://hideawaybins.co.nz)

#### HIDEAWAY AUSTRALIA

1800 042 642 / [info@hideawaybins.co.nz](mailto:info@hideawaybins.co.nz) / [hideawaybins.com.au](https://hideawaybins.com.au)



May 2021

#### Step 1 – Unpack carton

- The hamper and associated parts should be put to one side.
- Inner Carton 1 contains collar components to be attached to the door panel.
- Inner Carton 2 contains runners and mounting brackets to be mounted to the cabinet carcass.

#### Step 2 – Mount collar to door panel

- Open Inner Carton 1 and follow the Concelo Laundry Collar Installation Instructions within.

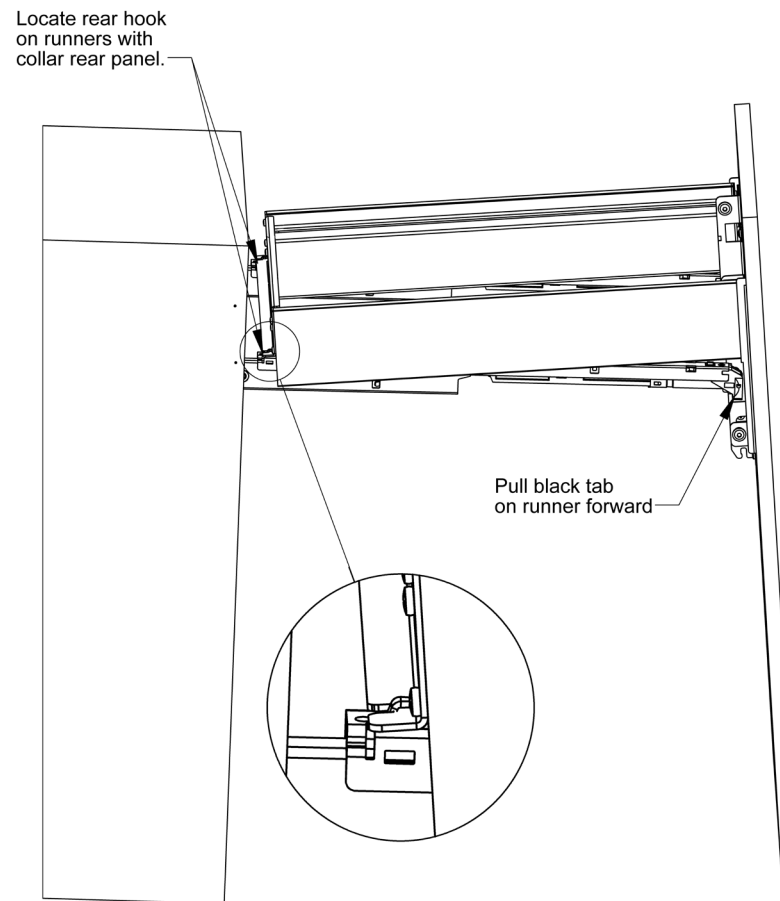
#### Step 3 – Mount runners inside cabinet carcass

- Open Inner Carton 2 and follow the Concelo Laundry Runner Installation Instructions within.

#### Step 4 – Assemble collar and door panel to runners

- Position collar assembly as shown in Fig 4. **TIP:** Ensure that runners are pulled forward, there is a black tab at the front of the runner that can be pulled while holding the door panel.

FIG.4

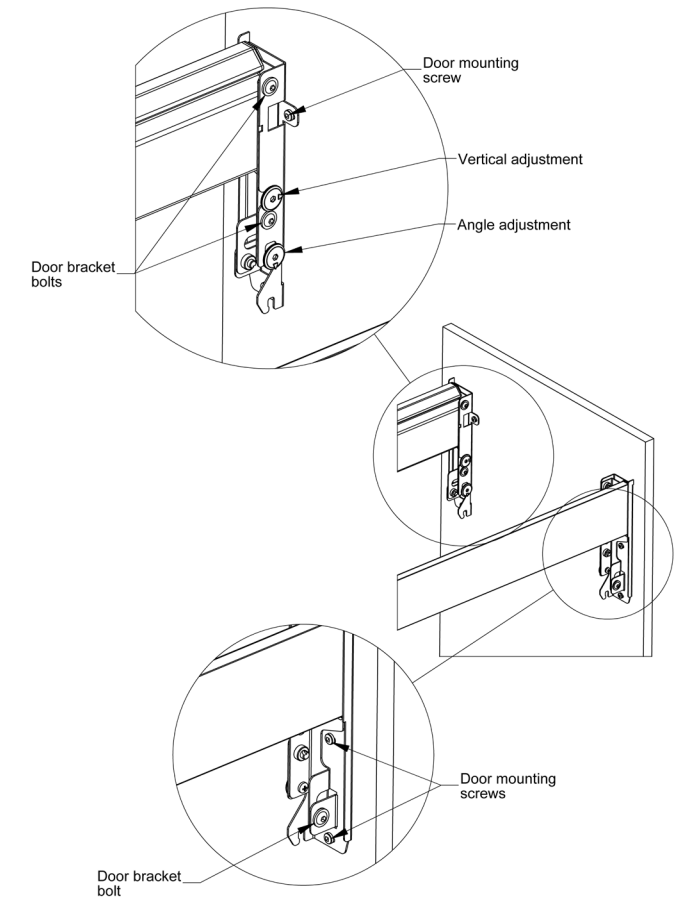


- Lower the door panel until a click is heard. **TIP:** The door panel will need to be pushed down firmly.
- Close the product and check that it is approximately level. **TIP:** If the door panel is significantly out of level it may indicate that it is not clipped down fully on one side.

#### Step 5 – Adjust the door panel position (Fig 5)

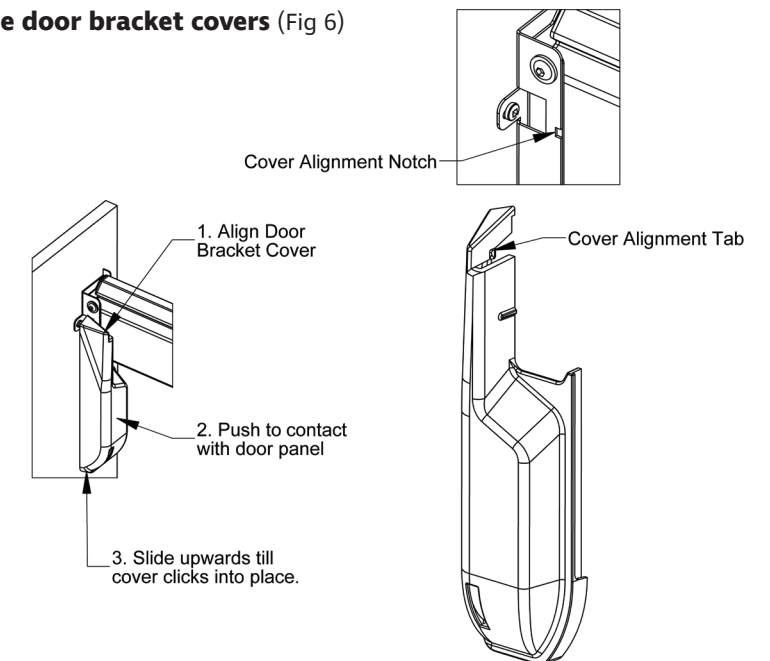
- Loosen the 6 door bracket bolts using the 4mm Allen key provided.
- Adjust the door to be square and parallel to carcass and in the correct vertical position using the adjustment cams.
- Tighten the 6 door bracket bolts.
- Loosen the 6 door mounting screws and adjust the horizontal position of the door panel.
- Tighten the 6 door mounting screws.

FIG.5



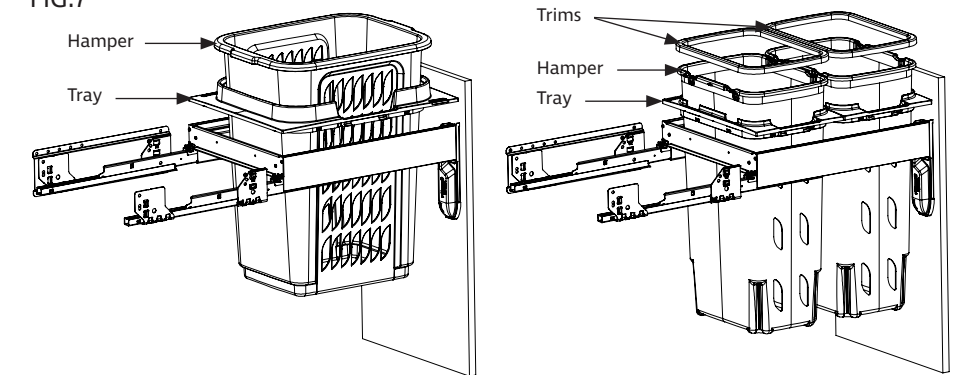
#### Step 6 – Fit the door bracket covers (Fig 6)

FIG.6



#### Step 7 – Install internal tray(s), hamper(s) and trims (CRL235 only) (Fig 7)

FIG.7



# TOP

## CARCASE FRONT LEFT



**NOTE:** If the unit is to be positioned higher in the carcase, trim the required amount off the top of the template.

Cannot exceed:  
CRL160D = 40mm  
CRL235D = 65mm

This must be done before proceeding with Step 2 Collar Installation and the change will apply to both Collar and Runner Installation.

## DOOR CENTRE

## CARCASE FRONT RIGHT

