

ST 500



Step Ladders & Bridges

Sayfa's step ladders and bridges are 150kg rated for single person use across industrial and commercial applications.

Each unit is fabricated to suit your specific site requirements and delivered as easy to install modular sections. Fall protection cages manufactured with structural grade aluminium are available for added safety.

Compliance

Sayfa's range of step ladders are manufactured to Australian Standard AS 1657-2013.

Applications

- Access between varying roof levels
- Access to plant decks and machinery platforms
- Access for equipment inspection.
- Access over machinery, pipework and conveyor belts.

Product Range

ALTO



ST 500

STEP LADDERS & BRIDGES

ST 551.300



ST 551.300

Single Step Up
 300 (H) x 300 (L)
 x 600mm (W)
 - Yellow edge bar
 - 5.0kg
RRP (ex GST)
\$380.00



i Legs can be cut to size.

ST 551.600



ST 551.600

Single Step Over
 300 (H) x 600 (L)
 x 600mm (W)
 - Yellow edge bar
RRP (ex GST)
\$428.00



i Legs can be cut to size.

ST 552.300



ST 552.300

Double Step Up
 450 (H) x 600 (L)
 x 600mm (W)
 - Yellow edge bar
 - 9.0kg
RRP (ex GST)
\$855.00



i AS1657-2013 3.1.4 Australian Standards states where the change of level is greater than 300mm but does not exceed 450mm, a minimum of one intermediate step shall be provided. Any height exceeding 450mm shall be in accordance with section 7 - Ladders, step ladders or stairs.

ST 570



Step Ladder only
 - Includes mounting brackets

ST 570.1000

- 1000mm
RRP (ex GST) \$778.00

ST 570.2000

- 2000mm
RRP (ex GST) \$1,040.00

ST 570.3000

- 3000mm
RRP (ex GST) \$1,360.00

ST 570.4000

- 4000mm
RRP (ex GST) \$1,680.00

ST 570.5000

- 5000mm
RRP (ex GST) \$1,990.00

ST 570.6000

- 6000mm
 - Joined in two sections
RRP (ex GST) \$2,380.00



- i** 4 - 5 working days lead time, step ladders manufactured to specific height requirements. Manufactured to 65° angle
- i** LD407 retractable stiles can be retrofitted
- !** Step ladders are fabricated to specific height required
- !** Suitable roof lead-on fall protection must be provided
- !** A fall protection cage is recommended above 3.5 M

ST 552.600



ST 552.600

Double Step Over
 450 (H) x 1200 (L)
 x 600mm (W)
 - Yellow edge bar
 - 15.0kg
RRP (ex GST)
\$1,077.00



i AS1657-2013 3.1.4 Australian Standards states where the change of level is greater than 300mm but does not exceed 450mm, a minimum of one intermediate step shall be provided. Any height exceeding 450mm shall be in accordance with section 7 - Ladders, step ladders or stairs.

ST 575



Step Ladder With
300mm Platform
- Includes mounting
brackets

ST 575.1000
- 1000mm
RRP (ex GST) \$1,390.00

ST 575.2000
- 2000mm
RRP (ex GST) \$1,680.00

ST 575.3000
- 3000mm
RRP (ex GST) \$2,024.00

ST 575.4000
- 4000mm
RRP (ex GST) \$2,290.00

ST 575.5000
- 5000mm
RRP (ex GST) \$2,730.00

ST 575.6000
- 6000mm
- Joined in two sections
RRP (ex GST) \$3,170.00



- Top landing mounted to top of structure. Manufactured to 65° angle
- 4 - 5 working days lead time.
- A fall protection cage is recommended above 3.5M
- Step ladders are fabricated to specific height required

ST 580



Step Ladder With
900mm Platform
- Includes mounting
brackets

ST 580.1000
- 1000mm
RRP (ex GST) \$1,990.00

ST 580.2000
- 2000mm
RRP (ex GST) \$2,180.00

ST 580.3000
- 3000mm
RRP (ex GST) \$2,480.00

ST 580.4000
- 4000mm
RRP (ex GST) \$3,065.00

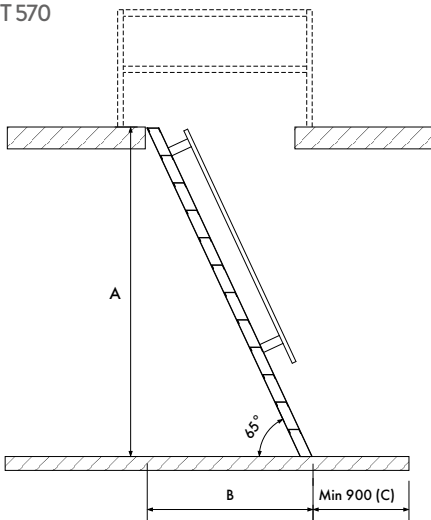
ST 580.5000
- 5000mm
RRP (ex GST) \$3,565.00

ST 580.6000
- 6000mm
- Joined in two sections
RRP (ex GST) \$4,080.00

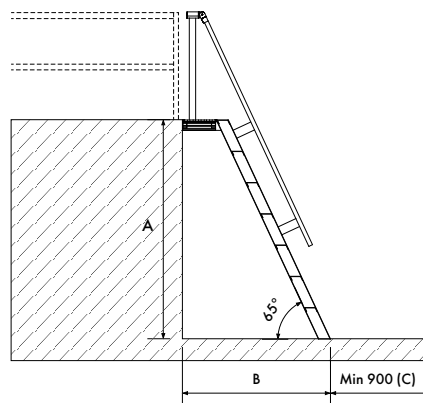


- Top landing mounted to top of structure. Manufactured to 65° angle
- 4 - 5 working days lead time.
- A fall protection cage is recommended above 3.5M
- Step ladders are fabricated to specific height required

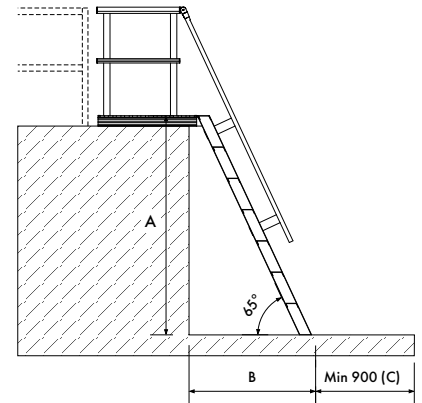
ST 570



ST 575



ST 580





ST 500

STEP LADDERS & BRIDGES

ST 572



ALTO Step Ladder Cage
to Suit ST570

ST 572.1000
- 1000mm

RRP (ex GST)
\$615.00

ST 572.2000
- 2000mm

RRP (ex GST)
\$1,025.00

ST 572.3000
- 3000mm

RRP (ex GST)
\$1,430.00

ST 572.4000
- 4000mm

RRP (ex GST)
\$1,870.00

ST 572.5000
- 5000mm

RRP (ex GST)
\$2,330.00



4 - 5 working days lead time, step ladders manufactured to specific height requirements.



Minimum head clearance required 2.0 - 2.2M

ST 577



ALTO Step Ladder Cage
to Suit ST580, ST575

ST 577.1000
- 1000mm

RRP (ex GST)
\$615.00

ST 577.2000
- 2000mm

RRP (ex GST)
\$1,025.00

ST 577.3000
- 3000mm

RRP (ex GST)
\$1,430.00

ST 577.4000
- 4000mm

RRP (ex GST)
\$1,870.00

ST 577.5000
- 5000mm

RRP (ex GST)
\$2,330.00



4 - 5 working days lead time, step ladders manufactured to specific height requirements.



Minimum head clearance required 2.0 - 2.2M



STEP LADDERS ARE FABRICATED AT 65° WITH A 300MM AND 900MM TOP PLATFORM. THE 300MM OPTION IS USED WHEN THE STEP LADDER IS JOINING AN EXISTING PLATFORM AT THE SAME LEVEL. THE 900MM OPTION IS USED WHEN THERE IS NO ADJOINING PLATFORM.

ST 571



ST 571
ALTO Step Ladder
Lockable Door
- 2250 x 540mm

RRP (ex GST)
\$815.00



The ST571 door is a deterrent only and may not prevent persons from gaining access. A fenced off area is recommended on stepladders.



4 - 5 working days lead time, step ladders manufactured to specific height requirements.

STP500 STEP BRIDGE



STEP BRIDGE PRICING CALCULATOR

For example, a step bridge consisting of:

- 900mm platform length (L)
- 300mm a step ladder height (H1)
- 900mm a step ladder height (H2)

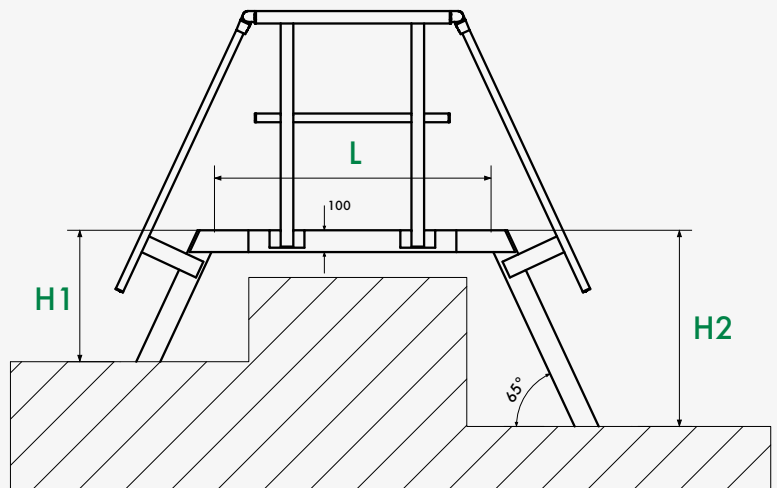
The formula for this option will be: **(L) + (H1) + (H2)**
 The code for this option will be: **STP9 + .300 + .900 = STP9.300.900**
 The RRP for this option will be: **\$1,445.00 + \$670.00 + \$815.00 = \$2,930.00**

! Always add an additional 200mm to your vertical height measurement to allow for 100mm platform thickness and 100mm clearance above structure. After a certain height, step bridges will require a structural stabiliser connection to under side of platform.

(L) PLATFORM LENGTH		
LENGTH	CODE	RRP (ex GST)
900mm	STP9	\$1,445.00
1200mm	STP12	\$1,600.00
1500mm	STP15	\$1,775.00
1800mm	STP18	\$1,970.00

(H1) STEP LADDER HEIGHT		
HEIGHT	CODE	RRP (ex GST)
300mm	.300	\$670.00
600mm	.600	\$670.00
900mm	.900	\$815.00
1200mm	.1200	\$815.00
1500mm	.1500	\$875.00
1800mm	.1800	\$875.00
2000mm	.2000	\$1,010.00
3000mm	.3000	\$1,320.00
4000mm	.4000	\$1,630.00
5000mm	.5000	\$1,935.00
6000mm	.6000	\$2,310.00

(H2) STEP LADDER HEIGHT		
HEIGHT	CODE	RRP (ex GST)
300mm	.300	\$670.00
600mm	.600	\$670.00
900mm	.900	\$815.00
1200mm	.1200	\$815.00
1500mm	.1500	\$875.00
1800mm	.1800	\$875.00
2000mm	.2000	\$1,010.00
3000mm	.3000	\$1,320.00
4000mm	.4000	\$1,630.00
5000mm	.5000	\$1,935.00
6000mm	.6000	\$2,310.00



ENSURE SUFFICIENT CLEARANCE IS ALLOWED TO THE UNDERSIDE OF THE BRIDGE TAKING INTO ACCOUNT THE THICKNESS OF THE DECK AT 100MM.

Testimonial

“Really happy with the way everything was boxed up per building lots and the quick delivery times. Thanks for all your work in the early stages of design and quoting.”

