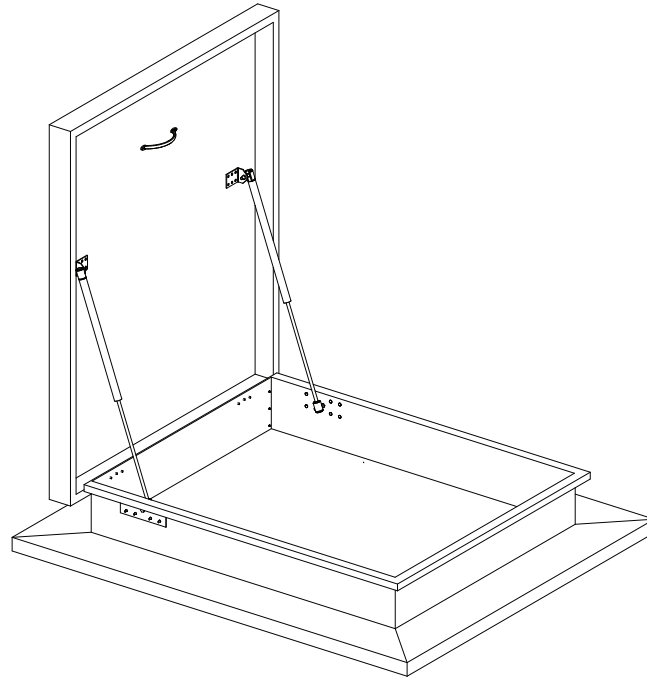

TECHNICAL SPECIFICATION - HINGED ROOF ACCESS HATCH LD494



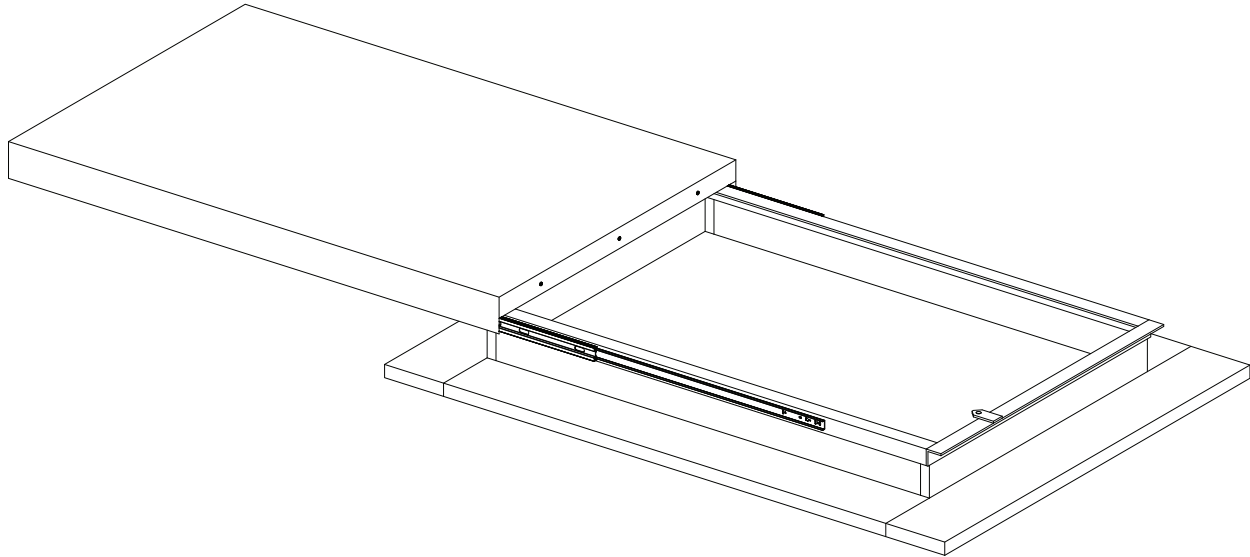
CODE	LD494T (Tray Deck Flashing) LD494C (Corrugated Deck Flashing)
DESCRIPTION	HINGED ROOF ACCESS HATCH 1000mm x 800mm
SPECIFICATION SUMMARY	System design, supply, layout, installation and certification by a Sayfa accredited installer, as per the manufacturer's installation instructions and current standards.

TECHNICAL DATA	<p>MATERIALS</p> <ul style="list-style-type: none">- Zinalume sheet metal- Hinged lid, dual skin construction. <p>DIMENSIONS</p> <ul style="list-style-type: none">- Hatch opening clearance: 1000 x 800mm.- Flashing width: 150mm- Flashing height: 150mm <p>OVERALL DIMENSIONS</p> <ul style="list-style-type: none">- LD494T - Tray Deck: 1305 x 1105 x 230mm- LD494C - Corrugated Deck: 1365 x 1165 x 170mm <p>WEIGHT</p> <ul style="list-style-type: none">- 24kg
----------------	--

PRODUCT WARRANTY	1 year from date of purchase subject to correct installation, use and maintenance in accordance with manufacturer's specifications and recommendations.
------------------	---

IMPORTANT NOTE	To install roof hatches, installers must hold a valid industry roof plumbing licence.
----------------	---

TECHNICAL SPECIFICATION - SLIDING ROOF ACCESS HATCH LD497/8/9



CODE	LD497.1000 / LD498.1200 / LD499.1500
DESCRIPTION	SLIDING ROOF ACCESS HATCH
SPECIFICATION SUMMARY	System design, supply, layout, installation and certification by a Sayfa accredited installer, as per the manufacturer's installation instructions and current standards.

TECHNICAL DATA	<p>MATERIALS Zincalume sheet metal with aluminum frame construction.</p> <p>DIMENSIONS</p> <p>LD497.1000</p> <ul style="list-style-type: none">- Hatch opening clearance: 1000 x 722mm- Overall dimensions: 1400 x 1200mm- Lid opened dimensions: 2362mm <p>LD498.1200</p> <ul style="list-style-type: none">- Hatch opening clearance: 1200 x 920mm- Overall dimensions: 1600 x 1400mm- Lid opened dimensions: 2672mm <p>LD499.1500</p> <ul style="list-style-type: none">- Hatch opening clearance: 1400 x 920mm- Overall dimensions: 1900 x 1400mm- Lid opened dimensions: 3140mm
----------------	--

PRODUCT WARRANTY	1 year from date of purchase subject to correct installation, use and maintenance in accordance with manufacturer's specifications and recommendations.
------------------	---

IMPORTANT NOTE	To install roof hatches, installers must hold a valid industry roof plumbing licence.
----------------	---
