

VISTA FOLD DOWN LADDER SYSTEM

The Vista range of Fold Down Access Ladder Systems provides a sturdy, high strength solution where safe access and egress to ceiling or roof is gained internally.

Vista is ideally suited to offices and apartments, store rooms, mezzanines and showrooms where space, ease of use and contemporary appearance are key considerations.

From floor to ceiling, through ceiling space, onto roof...the Vista does it all.

- > Quick and easy on site installation
- > Lightweight, robust, maintenance free
- > Increased safe working load of 150kg – industrial rated
- > Modular and adaptable to all ceiling types
- > Low aesthetic appearance, pre-finished to suit surrounds
- > Soft closing mechanism, suited to frequent usage
- > Ideally and easily incorporated with Skydore Roof Access Hatch

**"NEVER HAS SAFETY
IN THE WORKPLACE
HAD A HIGHER
PRIORITY"**





Suits all ceiling types up to 4300mm

Sturdy high strength aluminium construction

Retractable stiles for safe access through roof hatch

Skydore Roof Hatch

Vista Internal Ceiling Ladder

Vista Ladder Suspension kit system supported
off roof structure

Pre-finished heavy duty aluminium support frame

Soft close gas strut assisted door

200mm foot clearance between door and ladder

Pre-finished laminate ladder door

Unique non slip profiled rung for comfort
and ease of use

Industrial rated - 150kg

Lower ladder module cut to suit required
ceiling height

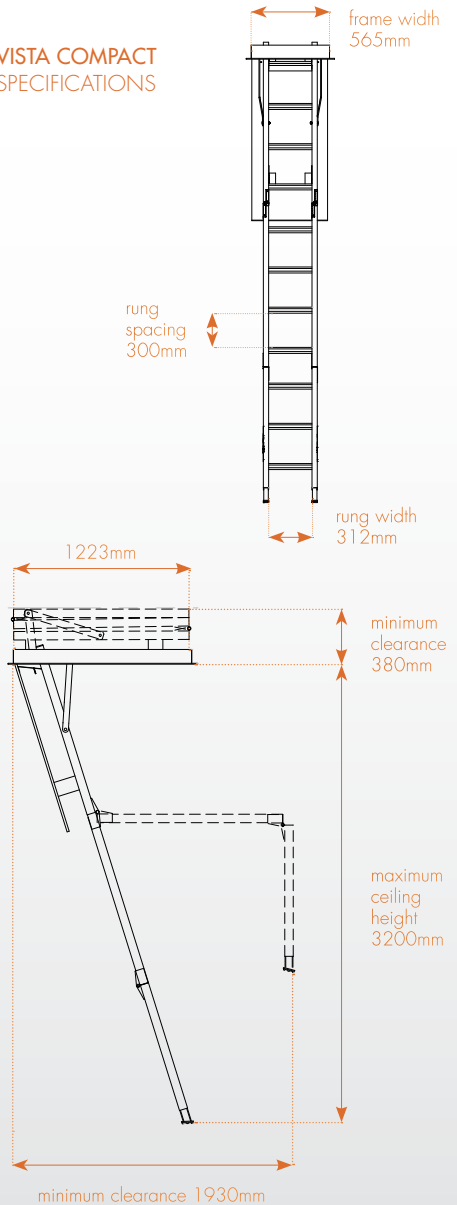
Adjustable feet inserts to suit final floor level

DESIGNED & ENGINEERED FOR TIMBER TRUSS ROOF CONSTRUCTION

VISTA[®]
compact



VISTA COMPACT SPECIFICATIONS



The Vista Compact Fold Down Access Ladder System provides a sturdy, high strength solution where safe access/egress to roof is gained internally. The industrial rated Vista Compact is ideally suited to timber truss roof construction allowing positioning of the ladder between the trusses providing safe and easy access into ceiling spaces and onto roof areas for maintenance personnel.

SPECIFICATION CODE: Vista Fold Down Ladder (LD462) – timber truss with plaster ceilings

FLOOR TO CEILING HEIGHT: 2200mm x 3200mm

CEILING OPENING REQUIRED: 1230mm x 570mm

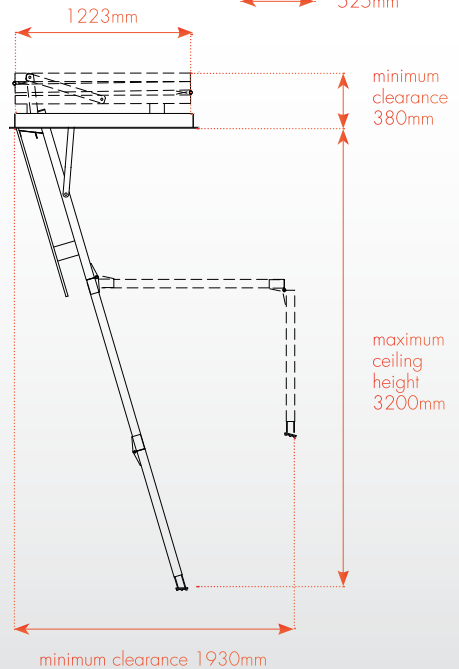
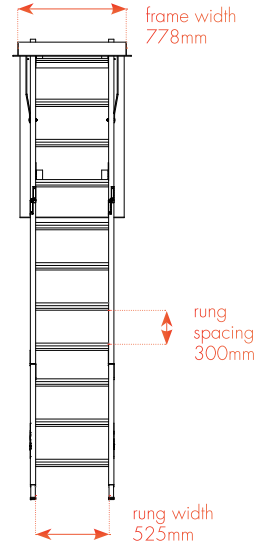
WEIGHT: 32kg (excludes accessory items)

WORKING LOAD LIMIT: Industrial Rated – 150kg (Recommended for single person use, suited to high frequency usage.)

DESIGNED & ENGINEERED FOR PURLIN ROOF CONSTRUCTION



VISTA COMMERCIAL SPECIFICATIONS



The Vista Commercial Fold Down Access Ladder System provides a sturdy, high strength solution where safe access/egress to roof is gained internally. The industrial rated Vista Commercial is ideally suited to purlin type roof structure incorporating a suspended ceiling through which safe and easy access into ceiling spaces and onto roof areas provided for maintenance requirements.

SPECIFICATION CODE: Vista Fold Down Ladder (LD461) – standard or suspended ceiling type

FLOOR TO CEILING HEIGHT: 2200mm to 3200mm

CEILING OPENING REQUIRED: 1230mm x 785mm

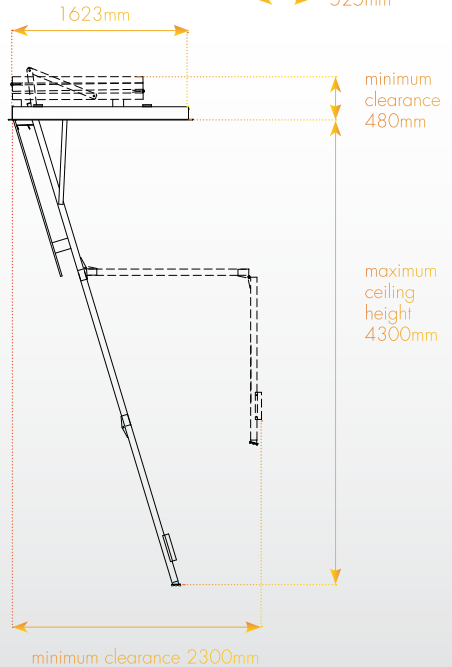
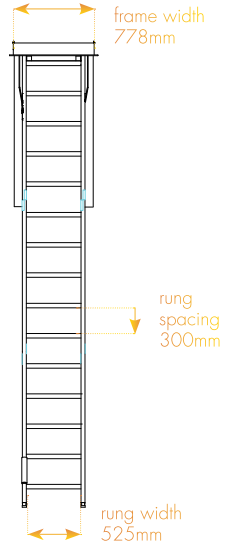
WEIGHT: 40kg (excludes accessory items)

WORKING LOAD LIMIT: Industrial Rated: – 150kg (Recommended for single person use, suited to high frequency usage.)

DESIGNED & ENGINEERED FOR HIGHER PURLIN ROOF CONSTRUCTION



VISTA MAXI SPECIFICATIONS



The Vista Maxi Fold Down Access Ladder System provides a sturdy, high strength solution where safe access/egress to roof is gained internally. The industrial rated Vista Maxi is ideally suited to higher purlin type roof structures incorporating a suspended ceiling providing safe and easy access into ceiling spaces and onto roof areas for maintenance requirements.

SPECIFICATION CODE: Vista Fold Down Ladder (LD463) – standard or suspended ceiling type

FLOOR TO CEILING HEIGHT: 2200mm to 4300mm

CEILING OPENING REQUIRED: 1630mm x 785mm

WEIGHT: 50kg (excludes accessory items)

WORKING LOAD LIMIT: Industrial Rated – 150kg (Recommended for single person use, suited to high frequency usage.)

THE EXPERTISE AND EXPERIENCE OF SAYFA TECHNICAL AND DESIGN CONSULTANTS ARE AVAILABLE FOR PROJECT SPECIFIC APPLICATIONS AND INSTALLATION ASSISTANCE.

The Vista/Skydore roof access system is easily and rapidly installed in all ceiling types. It is ideally suited to suspended ceilings with Commercial suiting heights between 2200mm to 3200mm, and Maxi suiting ceilings heights between 3200mm to 4300mm

The Vista/Skydore combo is available in modular kit form packages ready for self-installation or Sayfa can arrange installation utilising Sayfa's network of accredited installers.

INSTALLATION DIMENSIONS*

VISTA
commercial

A	B	C	D	E
2400	900	400	1500	280
2500	930	800	1610	390
2600	960	1200	1720	500
2700	990	1600	1830	600
2800	1010	2000	1940	710
2900	1040	2400	2050	820
3000	1070	2800	2160	920
3100	1100	3000	2210	970
3200	1130	N/A	N/A	N/A

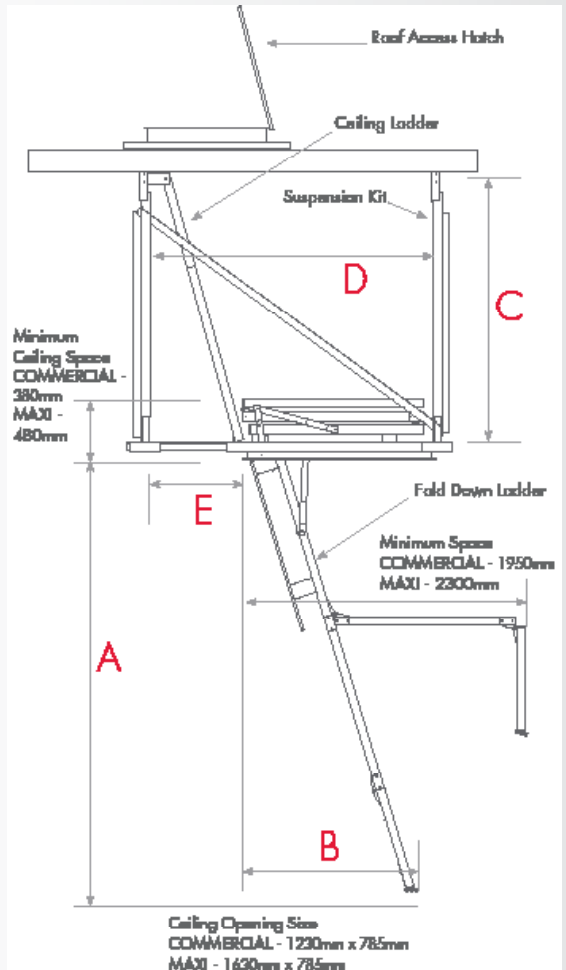
VISTA
maxi

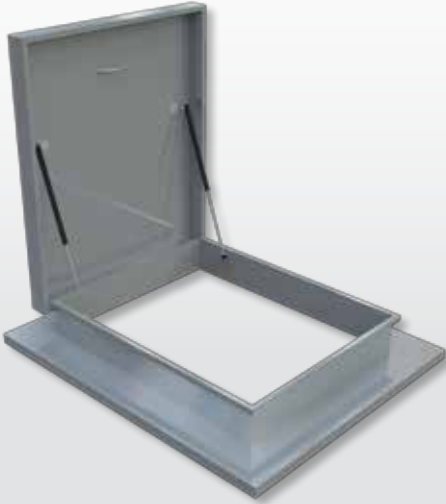
A	B	C	D	E
3300	1180	400	1500	280
3400	1210	800	1610	390
3500	1240	1200	1720	500
3600	1270	1600	1830	600
3700	1300	2000	1940	710
3800	1330	2400	2050	820
3900	1360	2800	2160	920
4000	1390	3000	2210	970
4100	1420	N/A	N/A	N/A
4200	1450	N/A	N/A	N/A
4300	1480	N/A	N/A	N/A

KEY

- A Ceiling height
- B Distance from back of fold down ladder to front of ladder (folded out)
- C Internal ceiling height
- D Distance between purlin hangers
- E Distance from purlin hanger to back of ladder frame

* All measurements are in millimeters (mm) and approximate only





ACCESS HATCH SYSTEM

The Skydore Roof hatch is designed to be integrated with the Vista Fold Down Access Ladder System providing a safe, all in one access system – from floor to ceiling, through ceiling space and onto roof.

TRAY DECK ACCESS HATCH

SPECIFICATION CODE: LD494T
OPENING SIZE: 1000mm x 800mm
OVERALL SIZE: 1305mm x 1105mm x 230mm
WEIGHT: 28kg

CORRUGATED DECK ACCESS HATCH

SPECIFICATION CODE: LD494C
OPENING SIZE: 1000mm x 800mm
OVERALL SIZE: 1365mm x 1165mm x 165mm
WEIGHT: 34kg

CEILING ACCESS SYSTEM

CEILING LADDER WITH RETRACTABLE STILES

Internal ceiling ladder includes retractable stiles for safe and easy access onto roof area – minimum ceiling space 1500mm.

SPECIFICATION CODE:

LD24.2400 – Up to 2170mm internal ceiling height
LD24.3600 – Up to 3330mm internal ceiling height

CEILING LADDER WITH HATCH GRABRAILS

Internal ceiling ladder with hatch grabrails is ideally suited to ceiling heights less than 1500mm, and where retractable stiles cannot be used.

SPECIFICATION CODE:

LD410 – Up to 1200mm internal ceiling height
LD411 – Up to 2400mm internal ceiling height
GW394 – Access hatch grabrail kit

VISTA SPECIFICATION GUIDE

PRODUCT & SPECIFICATION CODE

Vista Compact (LD462)
Vista Commercial (LD461)
Vista Maxi (LD463)

MATERIAL

Ladder sections – high tensile extruded aluminium
Support frame – high tensile extruded aluminium
(white powdercoated)
Mounting door – pre-finished 18mm white laminate panel
or paintable MDF board

DIMENSIONS

Ladder rung spacings – 300mm
Ladder width between stiles – 312mm to 525mm
To suit ceiling height – 2200mm to 4300mm

WEIGHT (excluding any accessory items)

Vista Compact – 32kg
Vista Commercial – 40kg
Vista Maxi – 50kg

WORKING LOAD LIMIT

Recommended for single person use – 150kg
> Industrial rated, suited to high frequency usage
> Support structure integrity, suitability and fixing method
to be assessed and determined by a competent person
prior to installation

COMPLIANCE

Vista Access Ladders are designed and manufactured
generally in accordance with relevant requirements and
sections of Australian Standard AS1657:2018,
AS/NZS 1892:1996 and relevant statutory OHS Codes
of Practice/Guidelines.
(Compliance letter available upon request.)

PRODUCT WARRANTY

3 years from date of purchase subject to
correct installation, use and maintenance
in accordance with manufacturer's
specifications and recommendations.

INSPECTION AND MAINTENANCE

Visual inspection for any damage or loose
fixings must be done periodically and
prior to use. No certified maintenance is
required. Basic wear and tear preventative
maintenance is recommended, as
per manufacturer's specifications and
recommendations.
(Refer instruction manual.)

IMPORTANT NOTE

Failure to supply and/or install proprietary
product in accordance with above
standards and codes, specifications
and instructions voids complete system
certification and/or warranty.

*Designed and manufactured
by Sayfa Group 24.05.18*

1029 Mountain Hwy,
Boronia VIC 3155
T \ 1300 301 755
F \ 1300 881 092
E \ info@sayfa.com.au
W \ www.sayfa.com.au



VISTA[®] COMPACT FOLD DOWN LADDER SYSTEM

The Vista Compact Fold Down Ladder Access System provides a sturdy, high strength solution where safe access/egress to roof is gained internally. The industrial rated Vista Compact is ideally suited to timber truss roof construction allowing positioning of the ladder between the trusses providing safe and easy access into ceiling spaces and onto roof areas for maintenance personnel.

- > Quick and easy on site installation
- > Lightweight, robust, maintenance free
- > Increased safe working load of 150kg – industrial rated
- > Modular and adaptable to all ceiling types
- > Ideally suited to timber trusses with plaster ceilings
- > Low aesthetic appearance, pre-finished to suit surrounds
- > Soft closing mechanism
- > Ideally and easily incorporated with Skydore Roof Access Hatch.

SPECIFICATION CODE

Vista Fold Down Ladder (LD462) – Timber Truss with Plaster Ceilings

Specification Summary

Supply and install the proprietary Vista Compact Fold Down Ladder Access System as per manufacturer, Sayfa Systems, recommendations. High strength, lightweight, commercial/industrial rated, pre-finished aluminium fold down ladder system to provide unrestricted safe access to ceiling, roof or other elevated areas. Ladder system to suit vertical heights between 2200mm and 3200mm. (Refer instruction manual.)

Incorporates the following accessories as required:

- > LD3 Vista Ceiling Ladder System – to provide access in space between ceiling level and roof level – mounted inside the suspension kit (incorporating retractable stiles or hatch grabrails)
- > LD493 Skydore Roof Access Hatch – to allow unrestricted access from internal ladder to roof

System Applications

- > Provides controlled internal access for workmen to roof area for maintenance of roof mounted plant and equipment
- > Ideal ceiling access for access and inspection of ceiling mounted plant and equipment
- > Suited to locations where portable ladder access is unsafe or cumbersome – hospitals, schools, apartments, offices, etc
- > Fold away feature provides a controlled, authorised access system – with optional locking facility

Technical Data

Material

Ladder sections – high tensile extruded aluminium

Support frame – high tensile extruded aluminium (white powdercoated)

Mounting door – pre-finished 18mm white laminate panel or paintable MDF board

Dimensions

Ladder rung spacings – 300mm

Ladder width between stiles – 312mm

To suit ceiling height – 2200mm to 3200mm

Ceiling opening required – 1230mm x 570mm

Minimum ceiling space required – 380mm

Weight

32kg (excludes any accessory items)

Working Load Limit

Recommended for single person use – 150kg

> Industrial rated, suited to high frequency usage

> Support structure integrity, suitability and fixing method to be assessed and determined by a competent person prior to installation

Compliance

Vista Access Ladders are designed to conform with relevant requirements and sections of Australian Standards AS1657:2018, AS/NZS 1892:1996 and relevant statutory

OHS Codes of Practice/Guidelines.

(Compliance letter available upon request.)

Product Warranty

3 years from date of purchase subject to correct installation, use and maintenance in accordance with manufacturer's specifications and recommendations.

Inspection and Maintenance

Visual inspection for any damage or loose fixings must be done periodically and prior to use. No certified maintenance is required. Basic wear and tear preventative maintenance is recommended, as per manufacturer's specifications and recommendations. (Refer instruction manual.)

Important Note

Failure to supply and/or install proprietary product in accordance with above standards and codes, specifications and instructions voids complete system certification and/or warranty.

Technical Support

Sayfa Groyp

T \ 1300 301 755

F \ 1300 881 092

E \ technical@sayfa.com.au

W \ www.sayfa.com.au

*Designed and manufactured by Sayfa Group
16.05.2018*



VISTA® COMMERCIAL FOLD DOWN LADDER SYSTEM

The Vista Commercial Fold Down Ladder Access System provides a sturdy, high strength solution where safe access/egress to roof is gained internally. The industrial rated Vista Commercial is ideally suited to purlin type roof structure incorporating a suspended ceiling through which safe and easy access into ceiling spaces and onto roof areas is provided for maintenance requirements.

- > Quick and easy on site installation
- > Lightweight, robust, maintenance free
- > Increased safe working load of 150kg – industrial rated
- > Ideally suited to suspended ceilings
- > Low aesthetic appearance, pre-finished to suit surrounds
- > Soft closing mechanism
- > Ideally and easily incorporated with Skydore Roof Access Hatch

SPECIFICATION CODE

Vista Fold Down Ladder (LD461) – Standard or Suspended Ceiling type

Specification Summary

Supply and install the proprietary Vista Commercial Fold Down Ladder Access System as per manufacturer, Sayfa Systems, recommendations. High strength, lightweight, commercial/industrial rated, pre-finished aluminium fold down ladder system to provide unrestricted safe access to roof or other elevated areas. Fold Down Ladder to comply with industrial ladder dimension(s) of 525mm between stiles and 300 mm between rungs. Ladder system to suit suspended ceiling installations with vertical heights between 2200mm and 3200mm. (Refer instruction manual.)

Incorporates the following accessories as required:

- > LD465 Vista Ladder Suspension Kit – to provide a support frame for the fold down ladder when suspended from overhead support structure
- > LD3 Vista Ceiling Ladder System – to provide access in space between ceiling level and roof level – mounted inside the suspension kit (incorporating retractable stiles or hatch grabrails)
- > LD493 Skydore Roof Access Hatch – to allow unrestricted access from internal ladder to roof

System Applications

- > Ideally suited to all types of suspended ceilings
- > Provides controlled internal access for workmen to roof area for maintenance of roof mounted plant and equipment
- > Ideal ceiling access in multi-storey developments for access and inspection of ceiling mounted plant and equipment
- > For locations where portable ladder access is unsafe or cumbersome – hospitals, schools, apartments, offices, etc
- > Fold away feature provides a controlled, authorised access system – with optional locking facility

Technical Data

Material

Ladder sections – high tensile extruded aluminium

Support frame – high tensile extruded aluminium (white powdercoated)

Mounting door – pre-finished 18mm white laminate panel or paintable MDF board

Dimensions

Ladder rung spacings – 300mm

Ladder width between stiles – 525mm

To suit ceiling height – 2200mm to 3200mm

Ceiling opening required – 1230mm x 785mm

Minimum ceiling space required – 380mm

Weight

40kg (excludes any accessory items)

Working Load Limit

Recommended for single person use – 150kg

> Industrial rated, suited to high frequency usage

> Support structure integrity, suitability and fixing method to be assessed and determined by a competent person prior to installation

Compliance

Vista Access Ladders are designed to conform with

relevant requirements and sections of Australian Standards AS1657:2018,

AS/NZS 1892:1996 and relevant statutory

OHS Codes of Practice/Guidelines.

(Compliance letter available upon request.)

Product Warranty

3 years from date of purchase subject to correct

installation, use and maintenance in accordance with manufacturer's specifications and recommendations.

Inspection and Maintenance

Visual inspection for any damage or loose fixings must

be done periodically and prior to use. No certified maintenance is required. Basic wear and tear preventative maintenance is recommended, as per manufacturer's specifications and recommendations.

(Refer instruction manual.)

Important Note

Failure to supply and/or install proprietary product

in accordance with above standards and codes,

specifications and instructions voids complete system certification and/or warranty.

Technical Support

Sayfa Group

T \ 1300 301 755

F \ 1300 881 092

E \ technical@sayfa.com.au

W \ www.sayfa.com.au

Designed and manufactured by Sayfa Group

16.05.2018



VISTA® MAXI FOLD DOWN LADDER SYSTEM

The Vista Maxi Fold Down Ladder Access System provides a sturdy, high strength solution where safe access/egress to roof is gained internally. The industrial rated Vista Maxi is ideally suited to higher purlin type roof structures incorporating a suspended ceiling providing safe and easy access into ceiling spaces and onto roof areas for maintenance requirements.

- > Quick and easy on site installation
- > Lightweight, robust, maintenance free
- > Increased safe working load of 150kg – industrial rated
- > Modular and adaptable to all ceiling types
- > Ideally suited to suspended ceilings
- > Low aesthetic appearance, pre-finished to suit surrounds
- > Soft closing mechanism
- > Ideally and easily incorporated with Skydore Roof Access Hatch

SPECIFICATION CODE

Vista Fold Down Ladder (LD463) – Standard or Suspended Ceiling type

Specification Summary

Supply and install the proprietary Vista Maxi Fold Down Ladder Access System as per manufacturer, Sayfa Systems, recommendations. High strength, lightweight, commercial/industrial rated, pre-finished aluminium fold down ladder system to provide unrestricted safe access to roof or other elevated areas. Fold Down Ladder to comply with industrial ladder dimension(s) of 525mm between stiles and 300 mm between rungs. Ladder system to suit suspended ceiling installations with vertical heights between 2200mm and 4300mm. (Refer instruction manual.)

Incorporates the following accessories as required:

- > LD465 Vista Ladder Suspension Kit – to provide a support frame for the fold down ladder when suspended from overhead support structure
- > LD3 Vista Ceiling Ladder System – to provide access in space between ceiling level and roof level – mounted inside the suspension kit (incorporating retractable stiles or hatch grabrails)
- > LD493 Skydore Roof Access Hatch – to allow unrestricted access from internal ladder to roof

System Applications

- > Ideally suited to all types of suspended ceilings – with heights up to 4300mm
- > Provides controlled internal access for workmen to roof area for maintenance of roof mounted plant and equipment
- > Ideal ceiling access in multi-storey developments for access and inspection of ceiling mounted plant and equipment
- > For locations where portable ladder access is unsafe or cumbersome – hospitals, schools, apartments, offices, showrooms, etc
- > Fold away feature provides a controlled, authorised access system – with optional locking facility

Technical Data

Material

Ladder sections – high tensile extruded aluminium

Support frame – high tensile extruded aluminium (white powdercoated)

Mounting door – pre-finished 18mm white laminate panel or paintable MDF board

Dimensions

Ladder rung spacings – 300mm

Ladder width between stiles – 525mm

To suit ceiling height – 2200mm to 4300mm

Ceiling opening required – 1630mm x 785mm

Minimum ceiling space required – 480mm

Weight

50kg (excludes any accessory items)

Working Load Limit

Recommended for single person use – 150kg

> Industrial rated, suited to high frequency usage

> Support structure integrity, suitability and fixing method to be assessed and determined by a competent person prior to installation

Compliance

Vista Access Ladders are designed to conform with relevant requirements and sections of Australian Standards AS1657:2018, AS/NZS 1892:1996 and relevant statutory

OHS Codes of Practice/Guidelines.

(Compliance letter available upon request.)

Product Warranty

3 years from date of purchase subject to correct installation, use and maintenance in accordance with manufacturer's specifications and recommendations.

Inspection and Maintenance

Visual inspection for any damage or loose fixings must be done periodically and prior to use. No certified maintenance is required. Basic wear and tear preventative maintenance is recommended, as per manufacturer's specifications and recommendations. (Refer instruction manual.)

Important Note

Failure to supply and/or install proprietary product in accordance with above standards and codes, specifications and instructions voids complete system certification and/or warranty.

Technical Support

Sayfa Group

T \ 1300 301 755

F \ 1300 881 092

E \ technical@sayfa.com.au

W \ www.sayfa.com.au

*Designed and manufactured by Sayfa Group
16.05.2018*