

SKYDORE®

ROOF ACCESS HATCH

SAYFA
PROTECT

1300 301 755
SAYFA.COM.AU



PROVIDING SAFE & EASY ACCESS
FOR PERSONNEL & EQUIPMENT
FROM INSIDE THE BUILDING

PRODUCT
BROCHURE



SKYDORE® ROOF ACCESS HATCH

Sayfa Group leads the industry in the design, installation and management of access & fall protection safety systems.

The In-Action model demonstrates access & fall protection requirements for a commercial building design.

Sayfa Group recommendations fulfill current workplace requirements for the safety of building maintenance subcontractors, employees and the general public.

#	DESCRIPTION
1	3 SIXTY Fall arrest anchors
2	TRAVEL 8 Roof or wall mount static lines
3	SENTRY Roof mount guardrails
4	ON-TRAK Roof walkways (yellow or grey)
5	PROTEX Skylight protectors
6	RAPTOR Abseil / Fall Arrest

#	DESCRIPTION
7	KATT Modular fixed ladders
8	VISTA Fold down ladders
9	KOMBI Stairs & platforms
10	ALTO Step ladders & bridges
11	SKYDORE Roof access hatches

For more information, please contact Sayfa Group directly.



IT'S THE SAYFA WAY

SKYDORE® ROOF ACCESS HATCHES IN ACTION



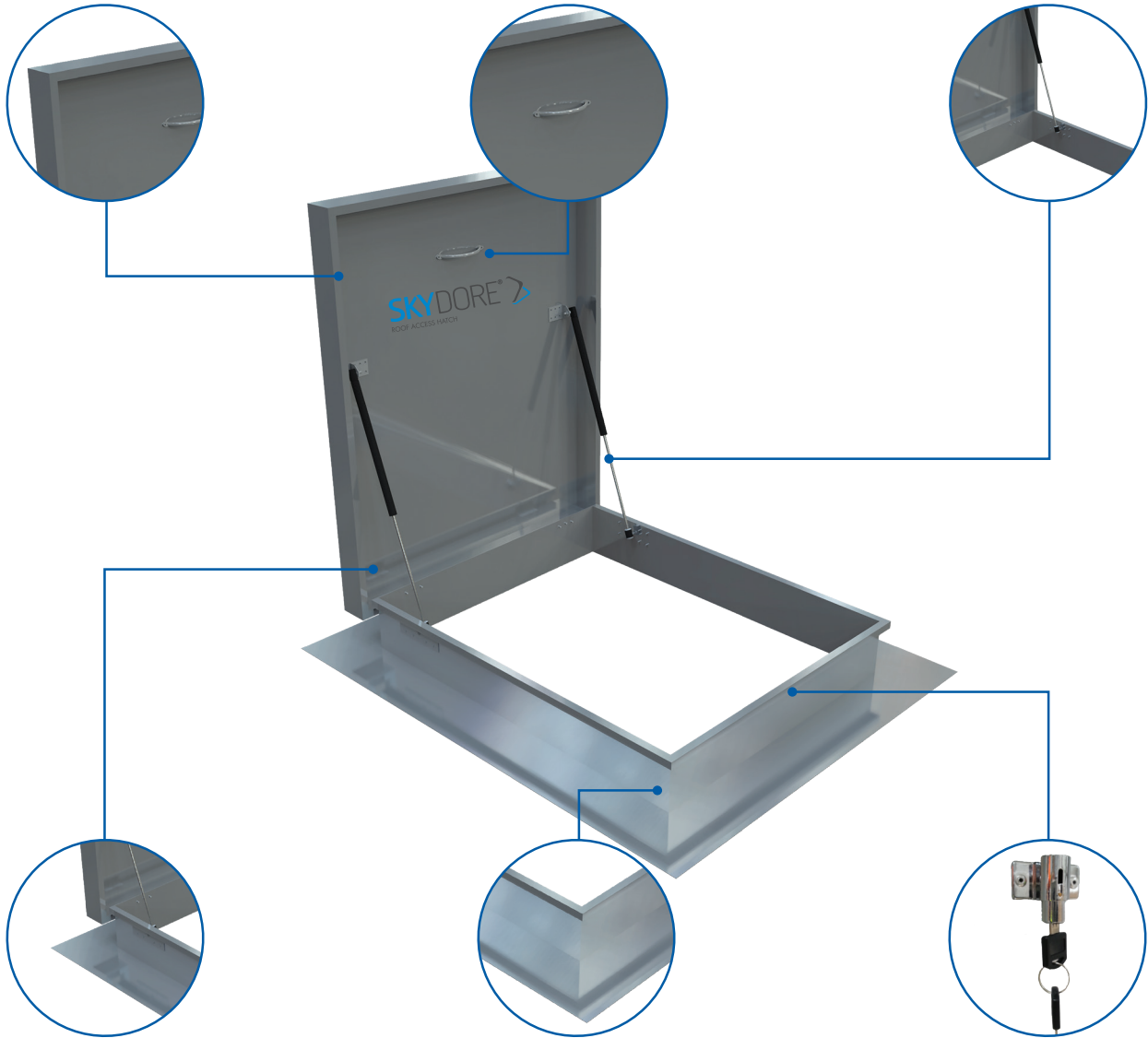
HINGED ROOF ACCESS HATCH - LD494

FEATURES & BENEFITS

DUAL SKIN CONSTRUCTION
Insulated double skin limits noise and thermal transfer.

INTERNAL HANDLE
Handle for ease of use whilst opening and closing.

GAS STRUT ASSIST
Effortless and smooth opening and closing.



HIGH STRENGTH HINGES
Corrosion resistant hardware provides trouble free use.

FLASHING OPTION
Tray deck (LD494T)
Corrugated deck (LD494C)

LOCKING FUNCTION
One hand operated push lock with keys.

UNIQUE
PRODUCT FEATURE

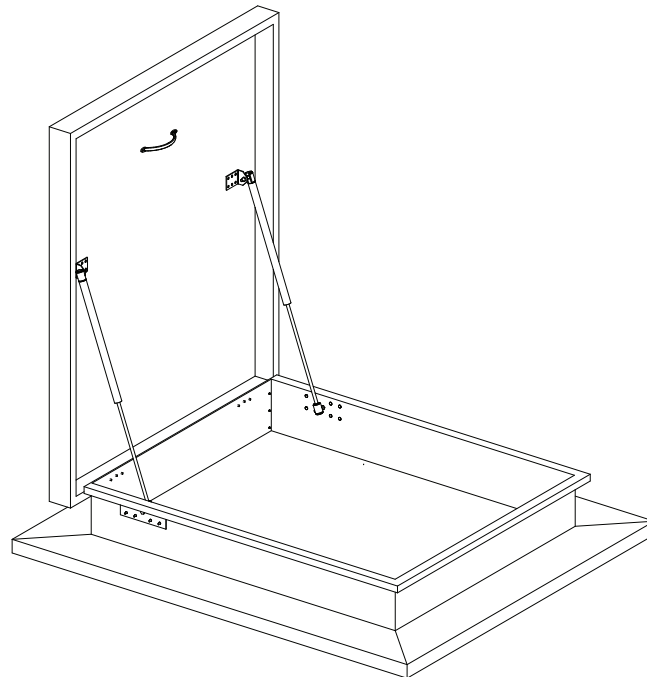
PUSH LOCK FUNCTION

FOR ONE HANDED LOCK & UNLOCK ABILITY

Australian Standards AS 1657-2018 Part 7.4.8.3 requires that provision shall be made for opening and closing a roof access hatch with one hand if there is no platform that enables the user to reach the hatch or hatch lock.



TECHNICAL SPECIFICATION - HINGED ROOF ACCESS HATCH LD494



CODE	LD494T (Tray Deck Flashing) LD494C (Corrugated Deck Flashing)
DESCRIPTION	HINGED ROOF ACCESS HATCH 1000mm x 800mm
SPECIFICATION SUMMARY	System design, supply, layout, installation and certification by a Sayfa accredited installer, as per the manufacturer's installation instructions and current standards.

TECHNICAL DATA	<p>MATERIALS</p> <ul style="list-style-type: none">- Zinalume sheet metal- Hinged lid, dual skin construction. <p>DIMENSIONS</p> <ul style="list-style-type: none">- Hatch opening clearance: 1000 x 800mm.- Flashing width: 150mm- Flashing height: 150mm <p>OVERALL DIMENSIONS</p> <ul style="list-style-type: none">- LD494T - Tray Deck: 1305 x 1105 x 230mm- LD494C - Corrugated Deck: 1365 x 1165 x 170mm <p>WEIGHT</p> <ul style="list-style-type: none">- 24kg
----------------	--

PRODUCT WARRANTY	1 year from date of purchase subject to correct installation, use and maintenance in accordance with manufacturer's specifications and recommendations.
------------------	---

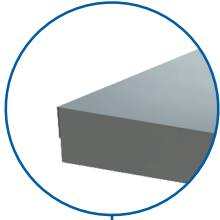
IMPORTANT NOTE	To install roof hatches, installers must hold a valid industry roof plumbing licence.
----------------	---

SLIDING ROOF ACCESS HATCH - LD497/8/9

FEATURES & BENEFITS

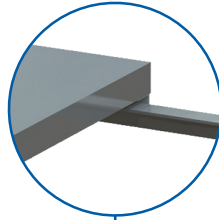
STRONG CONSTRUCTION

Manufactured with an aluminium frame and zincalume shell, the cantilevered lid is extremely robust.



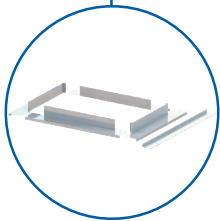
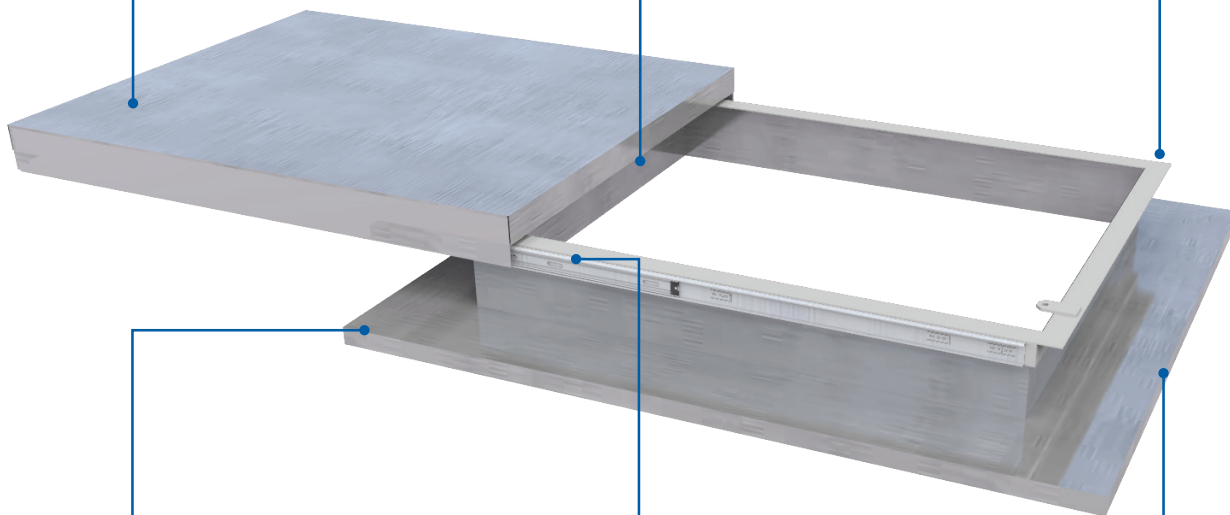
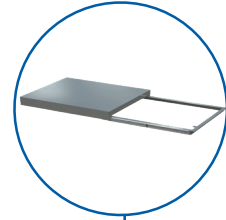
WEATHERPROOF SEAL

EPDM Seal provides weatherproof protection.



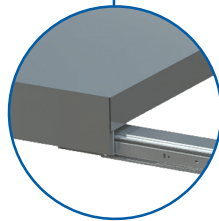
OPENING SIZE OPTIONS

1000 x 722mm
1200 x 920mm
1500 x 920mm



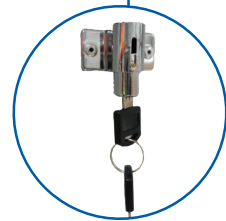
OPTIONAL FLASHING KITS

Tray deck profile
Corrugated profile.



SLIDING MECHANISM

Precision steel bearing slides provide effortless movement.



DUAL LOCKING FUNCTION

Push lock and padlock tabs.

UNIQUE
PRODUCT FEATURE

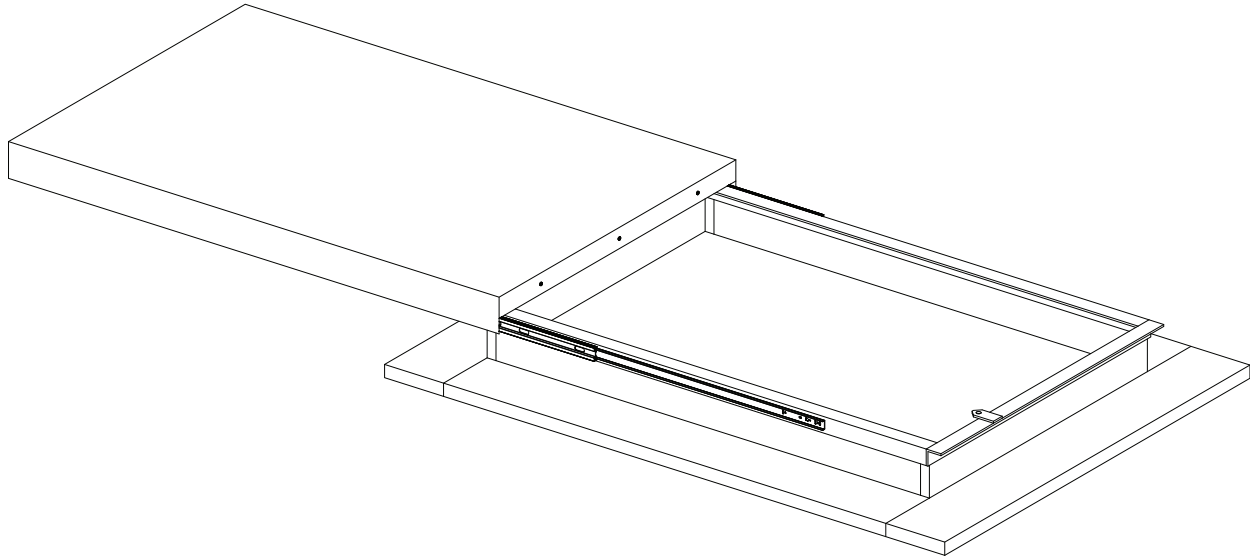
PUSH LOCK FUNCTION

FOR ONE HANDED LOCK & UNLOCK ABILITY

Australian Standards AS 1657-2018 Part 7.4.8.3 requires that provision shall be made for opening and closing a roof access hatch with one hand if there is no platform that enables the user to reach the hatch or hatch lock.



TECHNICAL SPECIFICATION - SLIDING ROOF ACCESS HATCH LD497/8/9



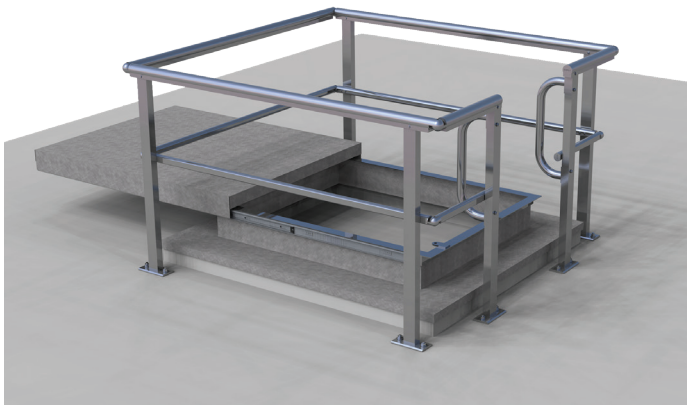
CODE	LD497.1000 / LD498.1200 / LD499.1500
DESCRIPTION	SLIDING ROOF ACCESS HATCH
SPECIFICATION SUMMARY	System design, supply, layout, installation and certification by a Sayfa accredited installer, as per the manufacturer's installation instructions and current standards.

TECHNICAL DATA	<p>MATERIALS Zincalume sheet metal with aluminum frame construction.</p> <p>DIMENSIONS</p> <p>LD497.1000</p> <ul style="list-style-type: none">- Hatch opening clearance: 1000 x 722mm- Overall dimensions: 1400 x 1200mm- Lid opened dimensions: 2362mm <p>LD498.1200</p> <ul style="list-style-type: none">- Hatch opening clearance: 1200 x 920mm- Overall dimensions: 1600 x 1400mm- Lid opened dimensions: 2672mm <p>LD499.1500</p> <ul style="list-style-type: none">- Hatch opening clearance: 1400 x 920mm- Overall dimensions: 1900 x 1400mm- Lid opened dimensions: 3140mm
----------------	--

PRODUCT WARRANTY	1 year from date of purchase subject to correct installation, use and maintenance in accordance with manufacturer's specifications and recommendations.
------------------	---

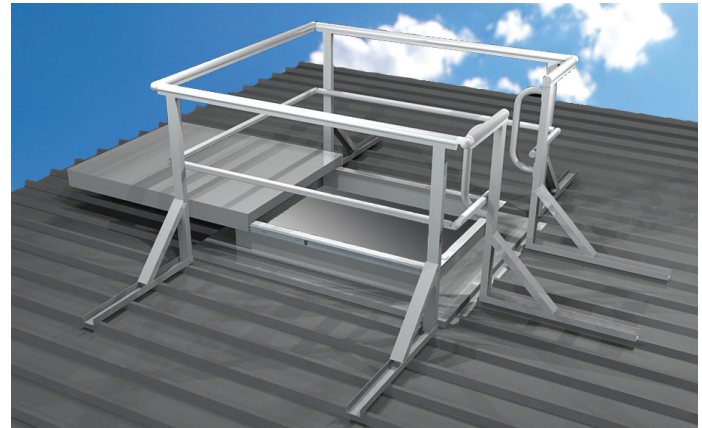
IMPORTANT NOTE	To install roof hatches, installers must hold a valid industry roof plumbing licence.
----------------	---

ACCESS HATCH GUARDRAIL KIT - GW394



GW394C ACCESS HATCH GUARDRAIL KIT

- Concrete mount
- 1.8 x 1.8m
- Suits sliding and hinged hatches
- 28kg



GW394D ACCESS HATCH GUARDRAIL KIT

- Metal deck mount
- 1.8 x 1.8m
- Suits sliding and hinged hatches
- 28kg

SPECIFICATION CODE

- GW394D Access Hatch Guardrail Kit - Metal Deck Mount
- GW394C Access Hatch Guardrail Kit - Concrete Mount

DESCRIPTION

Access Hatch Guardrail Kit

APPLICATION

The GW394 Access Hatch Guardrail Kit is designed to provide fall protection around a roof access hatch when accessing or egressing the roof.

COMPLIANCE

The GW394 is manufactured and tested to conform with Australian Standards AS1657.2018 Section 5.4 and J2.

SPECIFICATION SUMMARY

System design, supply, layout, installation and certification by a Sayfa accredited installer, as per the manufacturer's installation instructions and current standards.

TECHNICAL DATA

MATERIALS

- Posts, handrails and kneerails extruded aluminium 6106 T6.
- Elbows and end caps die-cast aluminium.

IMPORTANT NOTE

Optional GW390 self closing gate can be mounted to the access opening.

PRODUCT WARRANTY

3 years from date of purchase subject to correct installation, use and maintenance in accordance with manufacturer's specifications and recommendations.

WARRANTY

TERMS & CONDITIONS

- All warranty claims must be made in writing within 14 days of the appearance of the defect.
- Incorrect installation or work done by a non accredited Sayfa system installer will void all warranty rights.
- Systems that have been installed using non proprietary equipment will void all warranties.
- System roof/cladding penetration seals are not covered in this warranty.
- Systems/components that have not been maintained in accordance with manufacturer's/legislative requirements will void warranty.
- Systems used by incompetent persons or use with non compatible accessories ie. harness gear, lanyards, travellers, fall arrestors etc. will void warranty.
- Systems/components used for purposes other than their intended use will void warranty.
- General wear and tear is expected and will depend on the frequency of use and is not covered by warranty.

DISCLAIMER

All product specifications and technical descriptions, recommendations and other information provided, are given as general guidance and advice, and are to be read in conjunction with Sayfa Group installation instructions and any other data available and applicable to each particular standard product or system. Use of such data is however the user's sole responsibility, taking into account the intended application and actual conditions existing on the particular worksite. Consequent selection of the right product for any particular use, remains the user's ultimate responsibility. Sayfa Group is therefore not obligated or liable for any direct or indirect, incidental or consequential damages, losses or expenses in connection with, or by reason of the suitability and use of or otherwise, any product or system for any purpose. Implied warranties of merchantability or fitness for any particular purpose, are specifically excluded.

All Sayfa Group products must be installed and used by competent personnel trained in the selection, safe use and maintenance of fall arrest systems and equipment by a Registered Training Organisation (RTO)

Installation not in accordance with Sayfa Group requirements or the use of non Sayfa Group components will void all certification and warranties.

Suitability of support structure and design layout of system is the responsibility of the installer and should be verified by a competent person trained by a Registered Training Organisation (RTO) in the selection, safe use and maintenance of fall arrest systems and equipment or approved by a structural engineer to ensure conformance.

Sayfa Group maintains a policy of continuous improvement and development, and therefore reserves the right to modify, amend or otherwise alter product and system designs and specifications, models and part numbers, colours and pricing etc without prior notice. Errors and omissions are excepted, and Sayfa Group accepts no liability for incorrect information, errors or omissions.

NEVER HAS SAFETY
IN THE WORKPLACE
HAD A HIGHER PRIORITY



1029 MOUNTAIN HWY
BORONIA VIC 3155
AUSTRALIA

T 1300 301755
F 1300 881 092
E INFO@SAYFA.COM.AU

FOR MORE INFORMATION
VISIT SAYFA.COM.AU



THE SAYFA GROUP

WE SAVE LIVES!

This is our Mission, and it drives our Vision to BRING EVERY WORKER HOME SAFELY.

Sayfa Group leads the industry in the design, installation and management of access and fall protection systems. As an Australian owned company, we engineer and rigorously test our proprietary systems to exceed national and international standards. Simple installation and easy to use systems are our key drivers for ensuring maximum effectiveness and improved safety ensuring compliance with Occupational Health and Safety standards in the workplace.

OUR VALUES

We are governed by the following principles in everything we do:

- A - Accountability / Totally responsible and answerable for our actions.
- L - Loyalty / Steadfast and dependable based on our values in our dealings with one another.
- I - Integrity / Honest and sincere, we do what we say, on time every time.
- V - Value Driven / Increase what's of value in view of a win win plan for all.
- E - Enthusiastic / Motivated and inspired to continuously perform better.

COMMITMENT

We are passionate about our work with every product a testament to our commitment of world class safety, quality and performance. Our obligation is to live up to our own high standards as well as those of our customers and stakeholders ensuring total peace of mind.



Distributor:


camelspace

0508 4 CAMEL (0508 4 22 635)
heightsystems@camelspace.com
www.camelspace.com