

RAPTOR[®]

OVERHEAD RAIL SYSTEM

SAYFA
PROTECT

1300 301 755
SAYFA.COM.AU

PRODUCT SPECIFICATION

OH 250
Raptor Overhead
Rail System

OVERHEAD RAIL FALL ARREST
SYSTEM FOR MULTIPLE USERS

PRODUCT
BROCHURE



UNINTERRUPTED, SMOOTH FUNCTIONALITY ENHANCING USER SAFETY & CONFIDENCE



Raptor Overhead Rail is a proprietary fall arrest and rope access system suitable for multiple users. The overhead rail is a rigid system providing continuous and effective fall protection and/or work positioning systems.

Ideal applications for Raptor Rail would be fall protection above work areas, under canopies and facades, for general maintenance and cleaning requirements. The system incorporates high quality engineered components designed for use in commercial and industrial applications.

- Uninterrupted, smooth functionality using proprietary sealed bearing trolley system
- Minimal deflection of rail, minimising fall distance and injury to operator
- Increased number of users per rail system due to rigid, engineered system
- Reduced support structure required due to load spanning capabilities
- Easily extended should additional length be required



INSTALLATION

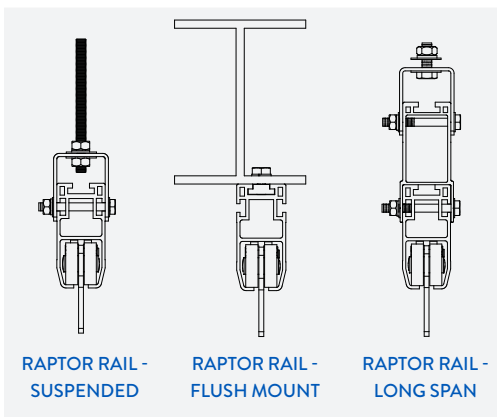
The lightweight rail sections incorporate fully adjustable and adaptable fixtures and fittings providing limitless installation flexibility.

- Lightweight high strength design
- Minimal componentry resulting in quicker install and reduced on-site labour
- Suits multiple support structure variations

USER SUPPORT

Easy to follow manuals and video tutorial provides clear and simple instructions for maintenance personnel.

- DVD system induction available on line
- Hands on system training of personnel provided
- System maintenance and recertification managed and provided by Sayfa Group

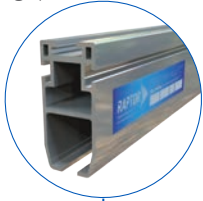


MINIMAL DEFLECTION OF RAIL IN A FALL SITUATION REDUCES FALL DISTANCE & INJURY TO OPERATOR

FEATURES & BENEFITS

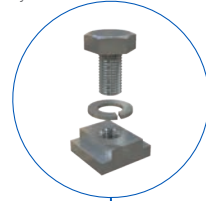
RAIL SECTION

Spanning up to 6000mm using long span attachment



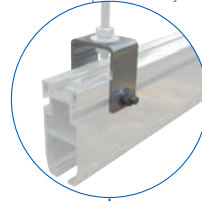
T-NUT MOUNT

Connects fixing brackets to rail system



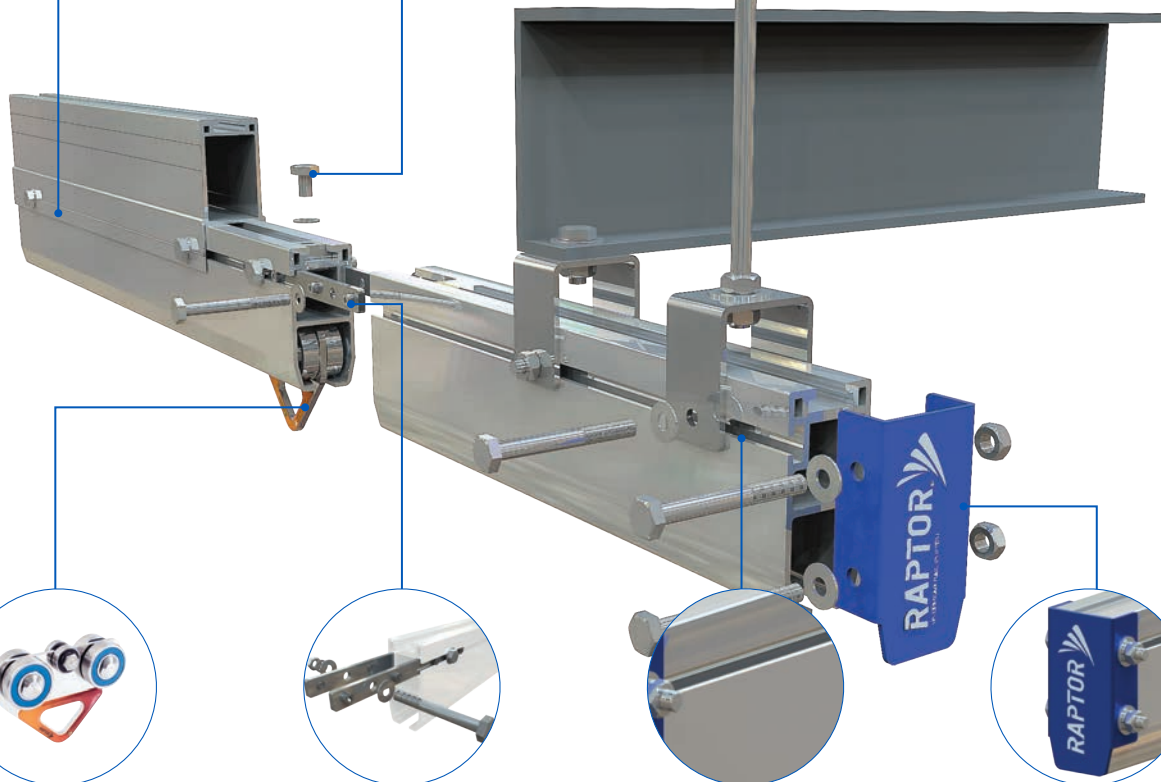
SUSPENSION BRACKET

Provides connection of rail to support structure suspension system



RETRACTABLE LANYARD

Allows free movement of operator whilst ensuring lanyard remains tensioned



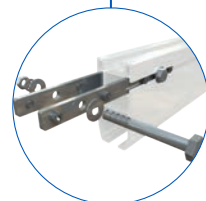
SEALED BEARING TROLLEY

Provides connection point for retractable lanyard



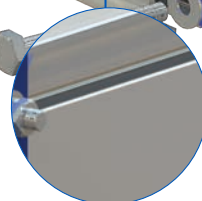
RAIL SPLICE JOINER KIT

Used to join multiple rail sections together



MOUNTING SLOT

Provides adjustable positioning of mounting brackets



END STOP

Provides the trolley termination point



UNIQUE
PRODUCT FEATURE

FALL ARREST TROLLEY

FOR EFFORTLESS MOBILITY

The robust sealed bearing trolley ensures effortless operator mobility when used as a rope access or fall arrest system. Lateral stabilising bearings allow the trolley to function normally when angled or side loading is required providing unlimited flexibility for positioning the rail to best suit the application and safety of the operator.

PATENTS AND DESIGN REGISTRATIONS APPLY



RAPTOR® OVERHEAD RAIL

Sayfa Group leads the industry in the design, installation and management of access, fall protection and ground safety systems.

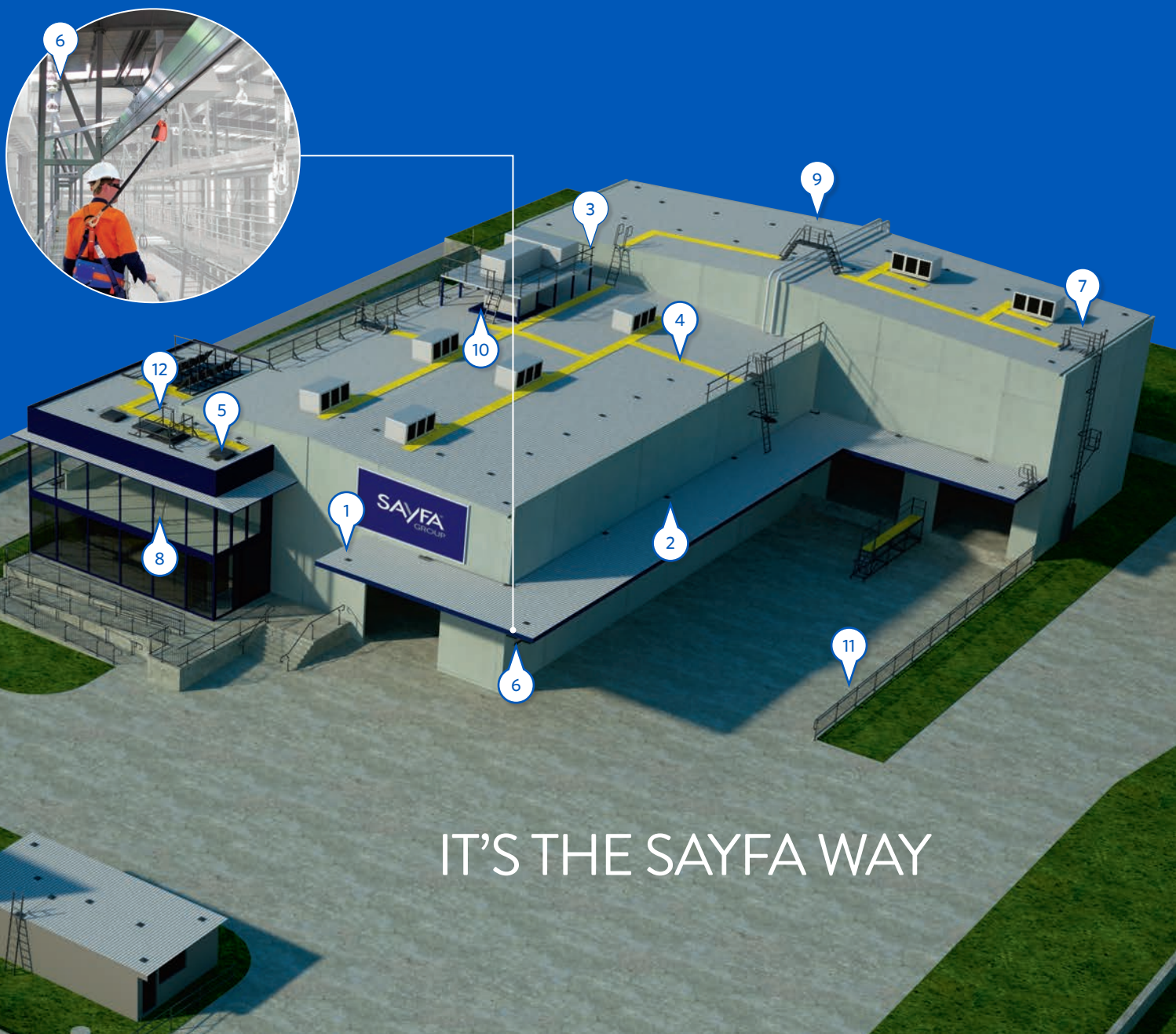
The In-Action model demonstrates access, fall and ground protection requirements for a commercial building design.

Sayfa Group recommendations fulfill current workplace requirements for the safety of building maintenance subcontractors, employees and the general public.

#	DESCRIPTION	
1	3 SIXTY	Fall arrest anchors
2	TRAVEL 8	Roof or wall mount static lines
3	SENTRY	Roof mount guardrails
4	ON-TRAK	Roof walkways (yellow or grey)
5	PROTEX	Skylight protectors
6	RAPTOR	Overhead fall arrest rails

#	DESCRIPTION	
7	KATT	Modular fixed ladders
8	VISTA	Modular fold down ladders
9	ALTO	Step ladders & step bridges
10	ALTO	Stairs & platforms
11	MODDEX	Handrails & balustrades
12	SKYDORE	Roof access hatches

For more information, please contact Sayfa Group directly.



IT'S THE SAYFA WAY

TECHNICAL SPECIFICATION

PRODUCT SPECIFICATION

OH 250
Raptor Overhead
Rail System

SYSTEM CODE

RAPTOR OVERHEAD RAIL SYSTEM
OH 250

TECHNICAL DATA

MATERIALS

- Rail – profiled hi-tensile aluminum
- Trolley – stainless steel including 6 sealed bearings
- Mounting Brackets – profiled stainless steel and/or aluminium
- Mounting Fixings – M12 stainless steel fixings

FIXINGS (into support structure)

- Steel fixing – M12 bolt or threaded stud
 - Concrete fixing – M12 mechanical concrete anchor
- Note: May vary depending on application

WEIGHT

- 4.5kg / per linear metre of rail section

WORKING LOAD LIMIT

- Single person use – 180kg per trolley (user/equipment)
- Maximum horizontal pitch for safe use – 3°
- Support structure integrity, suitability and fixing method to be assessed and determined by a competent person prior to installation

RAPTOR RAIL SPAN TABLE

RAPTOR RAIL ONLY			RAPTOR RAIL WITH LONGSPAN SUPPORT		
No of Users Per Span	Max Span Length	Support Structure Design Load	No of Users Per Span	Max Span Length	Support Structure Design Load
1	4000mm	15kN	1	6000mm	15kN
2	3200mm	21kN	2	5500mm	21kN
3	2500mm	27kN	3	4800mm	27kN
4	2000mm	33kN	4	4200mm	33kN

COMPLIANCE

Raptor Overhead Rail is designed to comply with Australian Standards AS/NZS1891.2:2001, AS/NZS1891.4:2009 and relevant statutory OHS Codes of Practice/Guidelines. (Refer instruction manual.)

TESTING

Testing and performance based on requirements of Australian Standard

- AS/NZS1891.2:2001 and AS/NZS1891.1:2009

PRODUCT WARRANTY

10 years from date of purchase subject to correct installation, use and maintenance in accordance with manufacturer's specifications and recommendations. (Refer instruction manual.)

INSPECTION AND MAINTENANCE

Inspection and certification every 12 months by a height safety equipment inspector in accordance with manufacturer's specifications and requirements of Australian Standard AS/NZS181.1:2009 (Refer instruction manual.)

IMPORTANT NOTE

Failure to supply and/or install proprietary product in accordance with above standards and codes, specifications and instructions voids complete system certification and/or warranty.





1029 MOUNTAIN HWY
BORONIA VIC 3155
AUSTRALIA

T 1300 301 755
F 1300 881 092
E INFO@SAYFA.COM.AU

FOR MORE INFORMATION
VISIT SAYFA.COM.AU



THE SAYFA GROUP

WE SAVE LIVES!

This is our Mission, and it drives our Vision to BRING EVERY WORKER HOME SAFELY.

Sayfa Group leads the industry in the design, installation and management of access, fall protection and ground safety systems. As an Australian owned company, we engineer and rigorously test our proprietary systems to exceed national and international standards. Simple installation and easy to use systems are our key drivers for ensuring maximum effectiveness and improved safety ensuring compliance with Occupational Health and Safety standards in the workplace.

OUR VALUES

We are governed by the following principles in everything we do:

- A – Accountability / Totally responsible and answerable for our actions.
- L – Loyalty / Steadfast and dependable based on our values in our dealings with one another.
- I – Integrity / Honest and sincere, we do what we say, on time every time.
- V – Value Driven / Increase what's of value in view of a win win plan for all.
- E – Enthusiastic / Motivated and inspired to continuously perform better.

COMMITMENT

We are passionate about our work with every product a testament to our commitment of world class safety, quality and performance. Our obligation is to live up to our own high standards as well as those of our customers and stakeholders ensuring total peace of mind.



PRODUCT IS OWNED BY THE SAYFA GROUP.
THE SAYFA GROUP CONSISTS OF:

