



# PRIMAActu Installation Guide



AUGUST 2021

## Contents

<b>1. Introduction</b>	<b>3</b>
1.1 What is PRIMActu?	3
1.2 Benefits of PRIMActu	3
1.3 PRIMActu Intended Use	3
1.4 Scope of Use	3
1.5 Limitations	3
1.6 Supporting Information for PRIMAgroove	3
<b>2. Best Practice</b>	<b>4</b>
2.1 Skills Required	4
2.2 Considerations When Designing	4
2.3 Specification Details	4
2.4 Health and Safety	4
2.5 Handling and Storage	4
2.6 General Installation	4
<b>3. Framing</b>	<b>5</b>
<b>4. Layouts</b>	<b>5</b>
5. Cutting and Penetrating the Panels	6
<b>6. Fixing</b>	<b>7</b>
6.1 Recommended Fixings	7
6.2 Fixing for Tiled Walls	7
6.3 Control Joints	8
<b>7. Tiling Finishing</b>	<b>9</b>
<b>8. Certifications held by PRIMActu</b>	<b>10</b>
<b>9. Useful Links</b>	<b>10</b>
<b>Notes</b>	<b>11</b>

NZBN 9429000097253

PRIMActu Product Details			
L x W x Thickness (mm)	Weight (kg)	IBS Product Code	GTIN
1800 x 900 x 6	13.5	PRIMACTU06189	09421028760379
1800 x 1200 x 6	18	PRIMACTU061812	09421028760386

**Contact us for more information or to talk to our team.**

[www.ibs.co.nz](http://www.ibs.co.nz) | 0800 367 759 | [info@ibs.co.nz](mailto:info@ibs.co.nz)

## 1. Introduction

This document is intended for designers and installers to ensure IBS PRIMActu panels are specified and installed correctly.

### 1.1 What is PRIMActu?

PRIMActu (ceramic tile underlay) is a cellulose fibre cement floor panel. Each panel has a smooth, sanded face which is sealed and ready for tiling. PRIMActu can be used as a ceramic tile underlay which has superior fire performance and is dimensionally stable which makes it an ideal substrate for ceramic tile underlay.

PRIMActu can be directly fixed to an existing timber, particle board, plywood floor or OSB EUROFloor.

PRIMActu is manufactured to nominal 6.0mm thickness. The product has pre-printed fastener points for ease of installation.

With each sheet of PRIMActu, you need to use the correct nails and to make sure that one nail is used on each of the dots.

### 1.2 Benefits of PRIMActu

#### Key attributes and benefits:

- Immune to permanent water damage and will not rot.
- Fire resistant.
- Simple and quick to install.
- Includes a nailing pattern printed on the face of the sheet for easy installation.
- Excellent substrate for floor tiles, both slate and ceramic.
- For dry and wet areas.
- Can be applied to both new and existing timber floorboards, plywood, particleboard or EUROFloor.

### 1.3 PRIMActu Intended Use

IBS supply PRIMActu panels for use as:

- An internal floor substrate for use in wet areas.
- A flat, even surface that can be covered with ceramic, mosaic or natural stone tiles.

### 1.4 Scope of Use

IBS supply PRIMActu for use within the following scope:

- In all buildings where the structure is suitable for the intended building work.
- As a tile substrate over existing or new reconstituted wood floors (e.g. plywood, particle board, Oriented Strand Board (OSB), EUROfloor and tongue and groove timber).
- As a wet area lining for bathrooms, kitchens, laundries and internal rooms with high humidity.

### 1.5 Limitations

- When you are specifying and installing PRIMActu the IBS PRIMActu Design and Installation Guide must be followed.
- PRIMActu should not be installed on timber framing where the moisture content is greater than 18%.
- Tiles must be installed with a flexible tile adhesive that is also compatible with PRIMActu. Talk to your preferred adhesive manufacturer for recommendations.

### 1.6 Supporting Information for PRIMActu

#### Required Documents

When you are applying for a building consent, include the following documents:

- PRIMActu pass™ (Product Assurance Supplier Statement)
- PRIMActu Design & Installation Guide
- PRIMActu Care & Maintenance
- PRIMActu Warranty

## 2. Best Practice

### 2.1 Skills Required

The designer will need to have knowledge of product and access to all the PRIMActu technical information. Also, PRIMActu panels can be installed by a person with the appropriate skills and equipment, who has knowledge of the product and access to the relevant PRIMActu technical information. See [www.ibs.co.nz](http://www.ibs.co.nz) for details.

### 2.2 Considerations When Designing

When specifying PRIMActu panels, the designer should consider the following;

- Use of the space in respect to fire, water splash, moisture and/or acoustics
- The supporting structure

### 2.3 Specification Details

When you specify PRIMActu panels, make sure you identify the correct panel thickness and fixings. This will depend on the structure, use and method of installation.

### 2.4 Health and Safety

When installing PRIMActu take all steps to ensure your safety and the safety of others:

- Use safety glasses, ear protection and wear appropriate clothing and footwear.
- Use all tools in accordance with the relevant instruction manuals.
- Do not cut indoors using a circular saw. Use a hand guillotine, fibre cement shears or a score and snap knife.
- Provide dust extraction if working in an enclosed space.

For further information refer to:

- The Absolutely Essential Health and Safety Toolkit
- Worksafe New Zealand Quick Guide

### 2.5 Handling and Storage

- Protect the panels from rain when they are transported.

- When they arrive, remove the fixing strips to reduce the stress on the panels. Store the panels flat and on top of timbers above ground. Cover if outside.
- To avoid chipping, make sure the edges and corners are protected.

### 2.6 General Installation

Tools you will need:

- Score and snap knife
- Circular saw with a dust extractor
- Hole saw
- Screw gun
- 150mm broad knife
- Hand guillotine
- Straight edge

Accessories you will need:

- 25 x 2.5mm annular grooved T&S or stainless steel fibre cement nails
- Bond breaker tape (e.g. Holdfast Gator)



### 3. Framing

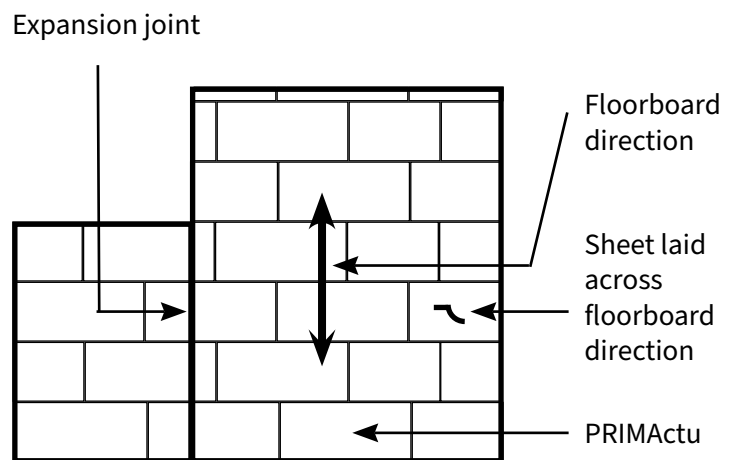
For floor junctions, ensure you provide a 6mm building tolerance gap. If you are installing the floor panels, ensure they are fully supported by the structure below.

Where you are installing PRIMActu over a new or existing flooring substrate, the floor support must be stiff enough to resist deflection.

Before you install the panel, ensure all framing is square, straight and true.

### 4. Layouts

- You can install PRIMActu panels for floors.
- Any sheet joints should be installed over a structural flooring system.
- Stagger the sheets (brick bond pattern) over the flooring substrate. Ensure the floor support is stiff enough to resist deflection.



#### IMPORTANT TO NOTE:

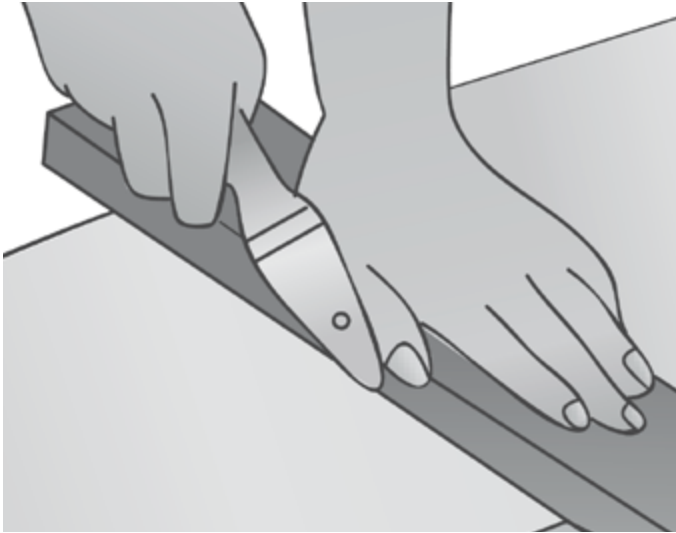
Where PRIMActu is used with ceramic tiles or a porous floor covering in areas prone to water splash, a waterproof membrane must be installed.



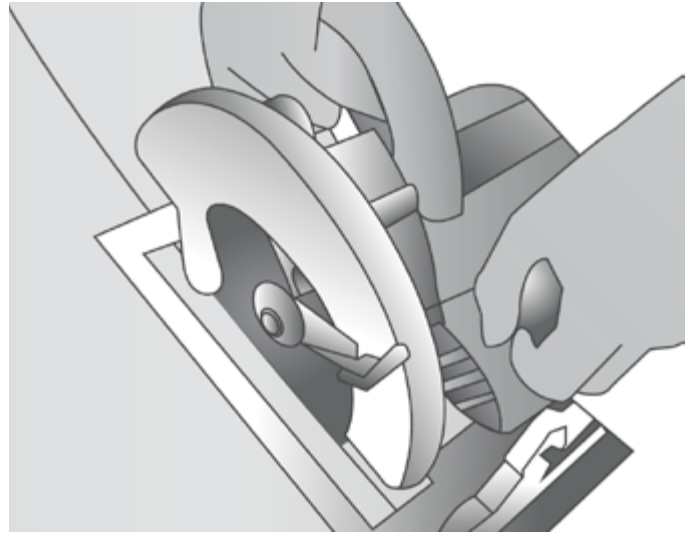
### 5. Cutting and Penetrating the Panels

PRIMActu panels can be cut with common power tools such as a circular saw equipped with a diamond-tipped cutting blade. This must only be done in a well-ventilated area. Do not wet the sheet or the saw blade during cutting process. We also recommend using power tools with dust extracting attachments.

A dusk mask and safety goggles must always be worn when cutting, drilling or grinding the sheet.

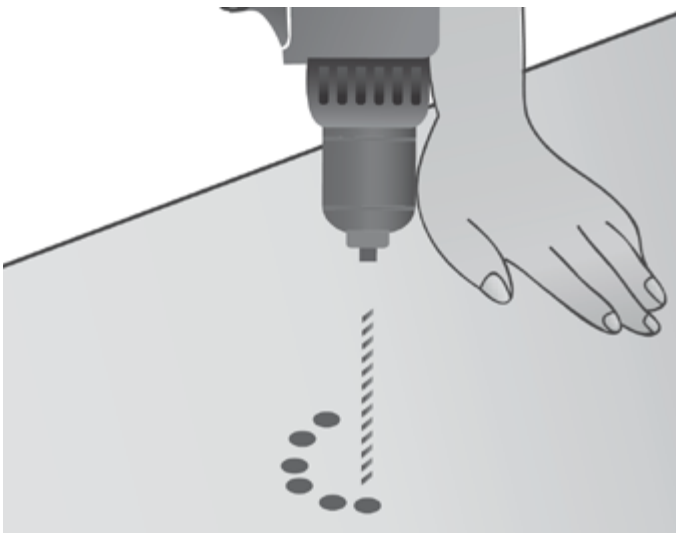


**Score and snap method**



**Machine cut**

You can form round holes by drilling a series of smaller holes around the perimeter of the new opening. Then carefully tap out the waste piece. Trim the rough edges with rasp if required. Use a suitable high-speed heavy duty drill bit. Cut rectangular or square openings using a circular saw.



**Notching and penetration**



## 6. Fixing

### 6.1 Recommended Fixings

For timber frames: use 6g x 30mm screws or 25 x 2.5mm annular grooved T&S nails to fasten the panels.

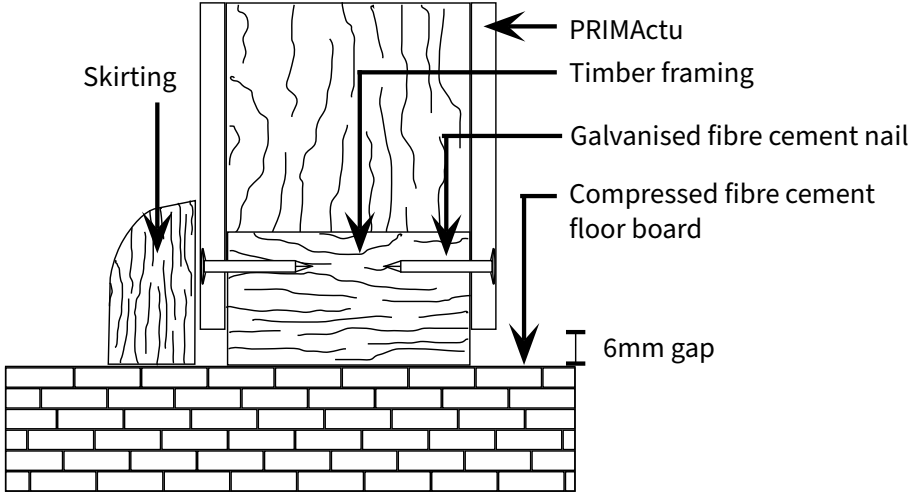
Nails must be finished flush with the panel. Screws can be driven up to 0.5mm below the surface of the panel.

For steel framing, screws can be driven up to 0.5mm below the surface of the panel. For 0.55-1.0mm steel frames: use 30mm Buildex FibreZip collated screws.

The screws must be driven in as closely as possible to the corners of the steel stud. This will prevent the screws hitting the flange.

Space 6mm packers along the floor to temporarily support each PRIMActu panel. Once you are sure the panel is level, begin fixing it to the frame. Start from the centre of the panel and move outwards to the edge.

At every vertical, horizontal and corner joint, make sure you leave a 1-2mm gap between each panel.



Typical section at wall to floor

### 6.2 Fixing for Tiled Walls

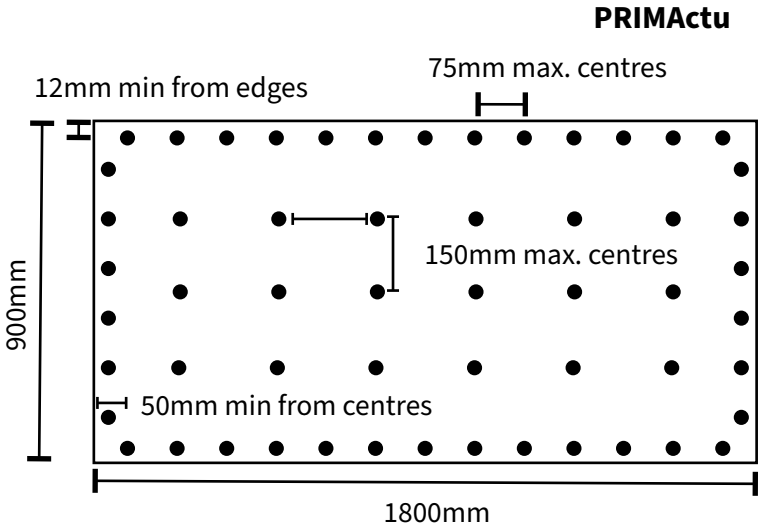
If the PRIMActu panels will be finished with tiles, you must fix them with fasteners only.

The stud spacings must also be a maximum of 400mm.

IMPORTANT TO NOTE:

PRIMActu panels should be installed horizontally if they are going to be finished with tiles. If you do install the panels horizontally, they will need full perimeter support and fixings.

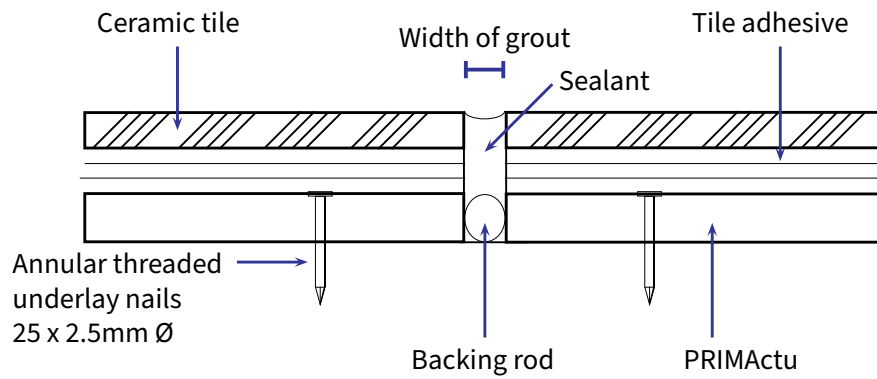
If you are tiling in wet areas, install a suitable waterproof membrane first. Ensure you follow the membrane manufacturer's instructions.



Fixing locations

### 6.3 Control Joints

Panel control joints must be installed at 5.0m maximum centres. The expansion joints must also coincide with a tile joint.



**Detail at expansion joint**



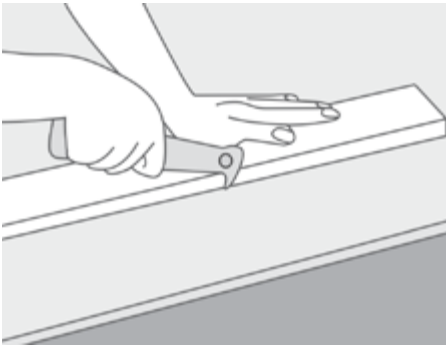


## 7. For Flooring

Before you begin tiling, ensure all panel joints are flush and allow a 2mm gap for expansion.

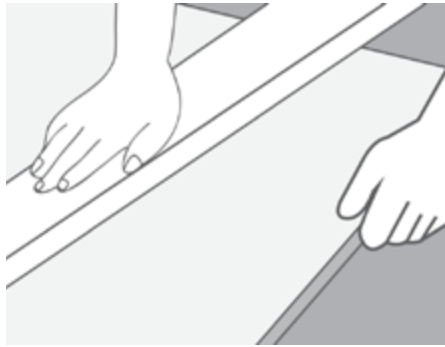
Once the joints are dry, remove any dirt, grease or dust from the panel surfaces.

We'd also recommend reading the BRANZ 'Good Tiling Practice' guide to familiarise yourself with the correct techniques for preparing and installing tiles.



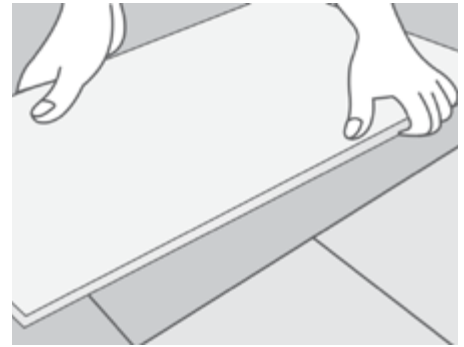
### Step 1.

Cut PRIMActu using a score and snap knife. Use a straight edge as a guide while scoring a minimum of 1/3 of sheet thickness.



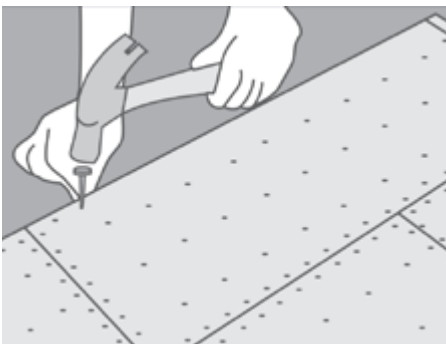
### Step 2.

Hold the sheet firmly near the cut, while snapping the off-cut upward to break.



### Step 3.

Lay PRIMActu across the floorboard direction in a staggered (brick) pattern. Sheet joints must not coincide with floorboard joints (provide a minimum of 100mm offset). Allow a minimum of 3mm gap between sheet edges and walls.



### Step 4.

Fasten PRIMActu from centre and working outwards using the pre-printed nailing pattern. Use 25mm x 2.5mm underlay nails. Drive nails flush with sheet surface.



### Step 5.

Apply tile adhesive onto PRIMActu using a notched trowel. Refer to adhesive's manufacturer's instructions.



### Step 6.

Lay ceramic tiles in accordance with tile manufacturer's recommendations.

### Important Note:

Use a flexible tile adhesive to fix the tiles. Talk to your preferred supplier for recommendations. You must install control joints to accommodate any thermal expansion or stresses that affect the building. Ensure that if the tiles are to be installed in a wet area then a waterproof membrane must be installed prior to tiling.

## 8. Certifications held for PRIMActu

- ISO 9001: 2008 Quality System (Ref-AR0430-IQNet Certification)
- ISO 14001: 2004 Environmental System (Ref-ER0642-IQNet Certification)
- BRANZ appraisal N:737 (2011)

## 9. Useful Links

For further information of PRIMActu panels, refer to:

- IBS pass™ (Product Assurance Supplier Statement)
- IBS Care and Maintenance
- IBS Home Building Info Sheet
- IBS Warranty

**Notes:**



Scan the QR code to view all PRIMACTU documents.



1/7 Fraser Road, Panmure, Auckland, New Zealand  
0800 367 759 | info@ibs.co.nz  
www.ibs.co.nz