

# Showerline Wetwall Lining Installation Guide



AUGUST 2021

## Contents

<b>1. General</b>	<b>3</b>
1.1 What is Showerline Wetwall Lining?	3
1.2 Intended Use	3
1.3 Benefits of using Showerline Wetwall Lining	3
1.4 Important Documents	3
1.5 For Our Warranty	3
<b>2. Best Practice</b>	<b>4</b>
2.1 Skills Required	4
2.2 Health & Safety	4
2.3 Handling & Storage	4
2.4 Tools Required	4
2.5 Trims	4
<b>3. Installation</b>	<b>5</b>
3.1 Substrate Preparation	5
3.2 Protective Coating	5
3.3 Dry Layout	5
3.4 Trimming Sheets	5
3.5 Ceiling Installation	6
3.6 Gluing	6
3.7 Creating Openings	6
3.8 Electrical Earthing	7
3.9 Tiling around a Shower or Bath Base	7
3.10 Sealing Wet Area	7
3.11 Trimming	9
<b>4. Care and Maintenance</b>	<b>10</b>
<b>Notes:</b>	<b>11</b>

NZBN 9429000097253

Showerline Wetwall Lining Product Details			
L x W x Thickness (mm)	Weight (kg)	IBS Product Code	GTIN
2400 x 900 x 4.75	11.9	SLINEP04249	09421028761116
2400 x 1200 x 4.75	15.8	SLINEP042412	09421028761109

**Contact us for more information or to talk to our team.**

[www.ibs.co.nz](http://www.ibs.co.nz) | 0800 367 759 | [info@ibs.co.nz](mailto:info@ibs.co.nz)



## 1. General

This guide provides advice on handling, installing and maintaining IBS Showerline Wetwall Lining (IBS Showerline).

### 1.1 What is Showerline Wetwall Lining?

IBS Showerline is a popular wet wall lining panel that brings together the strength and durability of an aluminium composite panel as well as a smooth and stylish curtain coated paint finish.

IBS Showerline is the ideal choice for all wet wall lining requirements. It is impact resistant and has a soft-look white curtain coated finish that is easy to keep clean. This will mean that your wet or utility area will stay looking great for many years to come.

Importantly, it is simple to install. Due to the nature of the product, IBS Showerline can be directly fixed to framing as well as fixed over the top of most other substrates.

Showerline is an aluminium composite sheet, comprising a polyethylene (PE) core, sandwiched between layers of 0.4mm aluminium and finished with polyvinylidene fluoride (PVDF) coating. Sheets are available in the following sizes:

- 2400 x 900 x 4.75 mm
- 2400 x 1200 x 4.75 mm

### 1.2 Intended Use

IBS supplies Showerline Wetwall Lining (Showerline) for use in:

- bathrooms
- kitchens
- laundries
- food preparation areas
- any other areas where easy clean-up is required
- ceiling lining

### 1.3 Benefits of using Showerline Wetwall Lining

Showerline Wetwall Lining provides a classic look and easy maintenance option for your wet areas. Key benefits and attributes are:

- Grout free
- Waterproof
- Mould resistant
- Durable
- Easy to install
- Easy to clean
- Consistent colour with a curtain coated finish.

### 1.4 Important Documents

This guide must be read in conjunction with the:

- IBS Showerline Wetwall Lining pass™
- IBS Showerline Wetwall Lining Warranty.

### 1.5 For Our Warranty

Refer to general warranty terms on [www.ibs.co.nz](http://www.ibs.co.nz).

## 2. Best Practice

### 2.1 Skills Required

To install IBS Showerline, the installer must at a minimum, be a competent DIYer.

Technical assistance is available at [info@ibs.co.nz](mailto:info@ibs.co.nz).

While all reasonable efforts have been made to ensure the accuracy of information provided, this document is a guide only. It may be subject to change.

### 2.2 Health & Safety

Take all necessary steps to ensure your safety and the safety of others:

- ensure adequate ventilation or mechanical dust extraction when cutting or drilling
- ensure the IBS Showerline sheets are well supported when cutting
- wear appropriate safety equipment, clothing and footwear
- use all tools in accordance with relevant instruction manuals
- clear the work area of any obstructions before work starts.

#### **Important note:**

IBS Showerline panels should be installed at least 300mm away from any heat source.

For further information refer to:

- WorkSafe Small Construction Sites, The Absolutely Essential Health and Safety Toolkit.
- WorkSafe Health and Safety at Work, Quick Reference Guide.

### 2.3 Handling & Storage

Take care when transporting, handling, and storing IBS Showerline sheets to avoid damaging the sheets.

Unload IBS Showerline sheets by hand and carry on edge. If unloading mechanically, ensure there is a minimum of two well-spaced supports or supported with a pallet to avoid excessive bending or sagging. A spreader bar may be needed when using a crane.

If stored on-site, stack IBS Showerline sheets flat on a dry surface and at least 150 mm off the ground.

Cover the sheets.

The dunnage strapped to the bottom of the packet is for transport only and is not suitable to be used for on-site storage.

Ensure the area where the IBS Showerline is stored is dry, well-ventilated, and out of direct sunlight.

### 2.4 Tools Required

- hole saws (tungsten carbide)
- speed bits
- drill
- jig saw (tungsten carbide)
- scribing knife
- utility knife
- bench saw (tungsten carbide)

### 2.5 Trims

PVC or aluminium trims may be used for internal and external corners, junctions to fittings or fixtures and as a finish to edges.

Note: All products to be used in accordance with the relevant suppliers' guidelines.

### 3. Installation

#### 3.1 Substrate Preparation

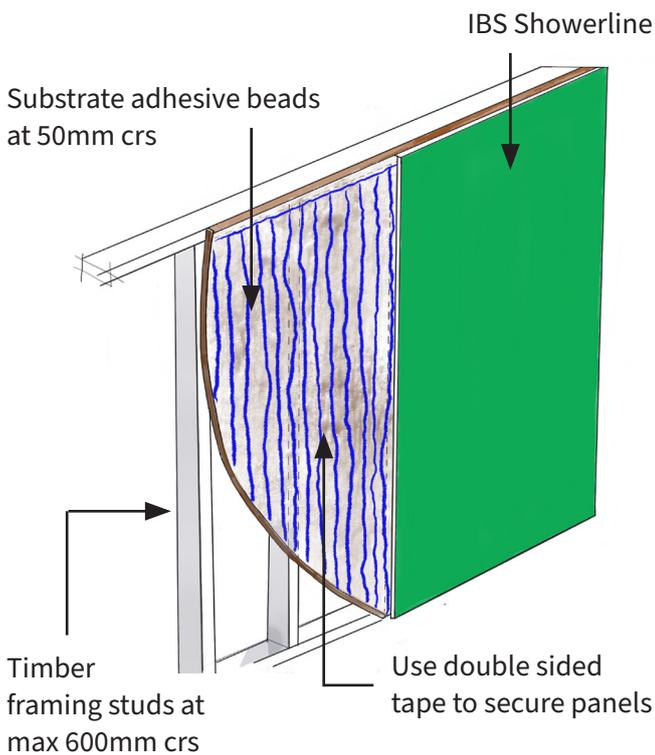
IBS Showerline may be fixed to most substrates, and directly to framing. Direct fixing to concrete or concrete masonry is not recommended. Timber battens or an overlay of suitable substrate is necessary for installations over DPC.

Check the substrate is level and true. Ensure all surfaces are clean, dry, smooth and free from dust, grease, solvent, wax. Lightly sand glossy surfaces to remove sheen.

Ensure adequate framing support to all edges and where penetrations are made for plumbing fixtures.

Where IBS Showerline sheets are to be glued directly to timber framing, check that the moisture content of the timber is no more than 18%.

#### Wall Assembly



#### 3.2 Protective Coating

The protective coating should not be removed until 24 hours after installation. However, around the edges, the protective layer will need to be removed to enable trimming of the boards, creation of openings or installation of trims.

#### 3.3 Dry Layout

Complete a dry layout prior to applying any adhesive. A dry layout is important to ensure that the final placement of the IBS Showerline sheets is square and true. It will highlight if adjustments are needed to walls or if sheets need to be trimmed to accommodate wall, floor or ceiling alignment.

Take account of placement and sheet size to ensure the sheet joins meet on a stud if applying to framing.

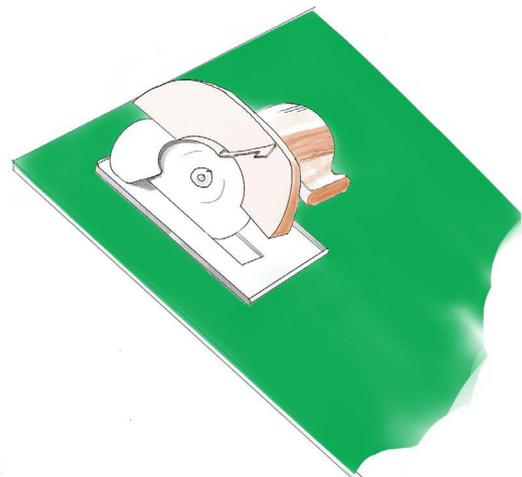
When completing the dry layout ensure that the sheets are installed vertically, i.e., not sideways.

Ensure allowances are made for trim installation.

Always install in the same direction vertically, i.e. not upside down.

#### 3.4 Trimming Sheets

Cut IBS Showerline sheets using standard wood working tools like a table saw or circular saw with a fine-tooth blade (60 tooth or higher) to provide a clean, smooth cut. Apply painter's tape to the line of cut to minimise chip out and to protect the sheet surface. A fine tooth handsaw may also be used.



### 3.5 Ceiling Installation

IBS Showerline may be used as a ceiling lining in most situations but is a great ceiling lining when used in a wet area room such as a toilet, bathroom, laundry, kitchen or anywhere you want a great pre-finished ceiling that is easy to keep clean.

Check the substrate is level and true and ensure that all surfaces are clean, dry, smooth, and free from dust, grease, solvent, or wax.

Check that the timber ceiling strapping has a moisture content of no more than 18% prior to installation.

Ceiling strapping centres are recommended at 400mm but can be up to a maximum of 450 centres.

Wipe the back of the IBS Showerline sheet with a wet cloth prior to installation and allow to dry. Tape may be used to support the IBS Showerline sheets as an interim measure while awaiting the adhesive to cure. Use Gator double-sided tape or equivalent.

Peel back the edges of the face protective covering by approx. 50mm to make it easy to remove 24 hours after installation.

Apply the tape to all strapping surfaces. Apply a 5mm bead of adhesive to all contact points with the strapping. Press the sheet in place and apply pressure evenly across the sheet. Make sure that you also support the sheet while the glue cures with temporary propping.

Ensure that any props are protected with a soft covering so that there is no damage to the sheet surface.

Remove any excess adhesive while it is still wet using a damp cloth.

See 3.7 for electrical earthing instructions for any sheets with light fittings.

### 3.6 Gluing

Wipe the back surface of the IBS Showerline sheet with a damp cloth.

If installing over an existing substrate or directly to framing you may apply double-sided foam tape to the back of the sheet around the perimeter to hold the panel while the glue cures as well as the glue.

Otherwise you may apply a continuous 5 mm bead of adhesive, and apply a 5 mm bead of adhesive in a pattern with voids no greater than 50 mm.

If installing directly over timber framing, you may apply double-sided foam tape to the framing while the glue cures as well as the glue. Apply a continuous 5 mm bead of adhesive on all of the framing timber. When placing the sheet, ensure all sheet edges (horizontal and vertical) have substrate support. Press the sheet in place. Apply pressure evenly across the sheet until the glue cures (see glue manufacturer's specifications on time frame).

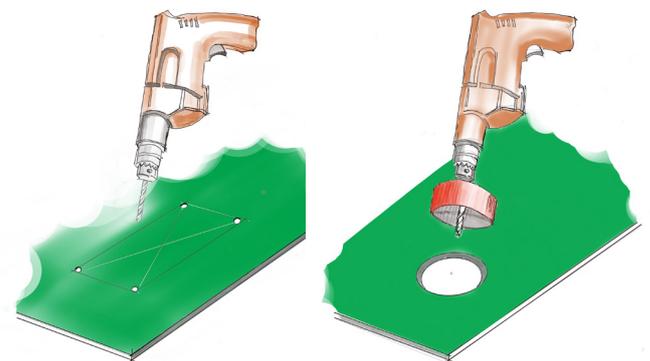
Remove excess adhesive while it is still wet, using a damp cloth.

### 3.7 Creating Openings

To create openings for outlets and switches, mark the area to be removed. At the corner, drill a 15-18 mm diameter hole and cut the remainder of the hole with a fine-tooth jigsaw. Cut from the reverse side as a jigsaw can create scratches to the surface finish.

For circular holes, mark out the area to be removed and drill a series of holes as close as possible to the other using a sharp 3.5 mm – 5.0 mm speed bit.

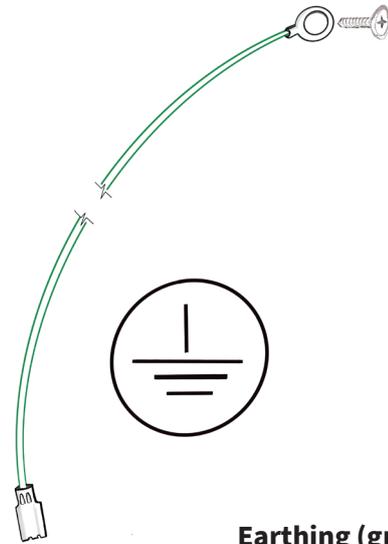
Finish off with a utility knife and push waste material through. Alternatively, a sharp, fine-toothed hole saw of the correct diameter may be used.



### 3.8 Electrical Earthing

IBS Showerline has an aluminium face, which is conductive to electricity. In situations where there is any kind of power point, switch, light fitting or wire running behind the sheet, an earth connection must be made.

IBS recommends using a crimp lug (a simple screw connector) that connects to a bonding wire which runs down the back of the sheets. IBS recommends that the installation of the earthing be carried out by a registered electrician. As a minimum a registered electrician should confirm that the earthing has been correctly installed.



**Earthing (ground) Strap**

### 3.9 Tiling around a Shower or Bath Base

#### Shower Trays

Overlap the top edge of the shower tray, while maintaining an open gap of approximately 5.0 mm (anti-capillary) between the edge of the shower tray and the sheet. Apply a bead of silicon to the upper edge of the tray lip or flange before the sheet is installed.

#### Bath or Basin Edge

Most new baths or basins come complete with a raised lip or flange on the top edge. Overlap the lip or flange, while maintaining an open gap of approximately 5.0 mm (anti-capillary). Apply a bead of silicon to the upper edge of the lip or flange before the sheet is installed.

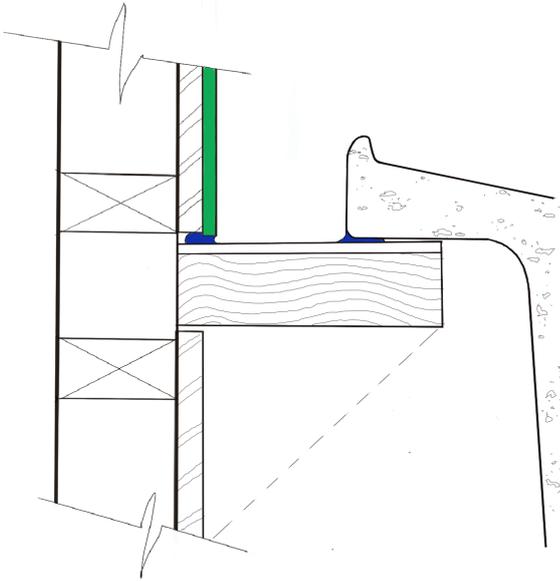
If your bath does not have either a raised lip or flange, a proprietary flashing is the simplest solution to waterproof these junctions. Ensure the flashing has sufficient cover over the fixture edge.

### 3.10 Sealing Wet Area

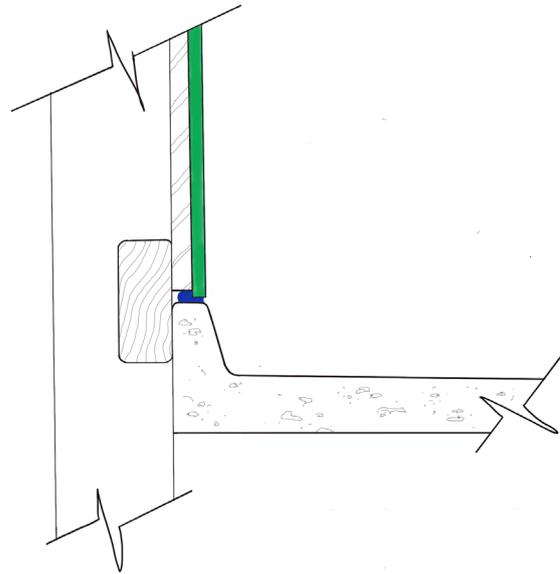
Apply a thin bead (2.0 mm - 3.0 mm) of sealant to the connecting edge of each sheet on both vertical and horizontal edge profiles.

Apply a thin bead of sealant along cut edges or edges placed in corners, if not using trims. Apply sealant in the trim channel if corner trims are used. Where possible remove excess silicon before it cures.

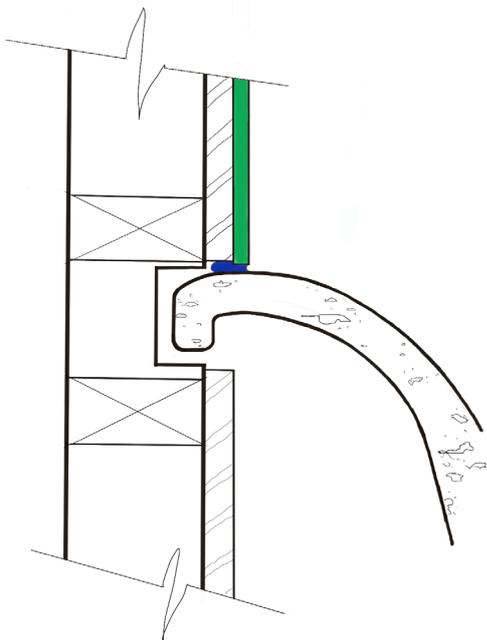
**Overmount wall-bath/basin detail**



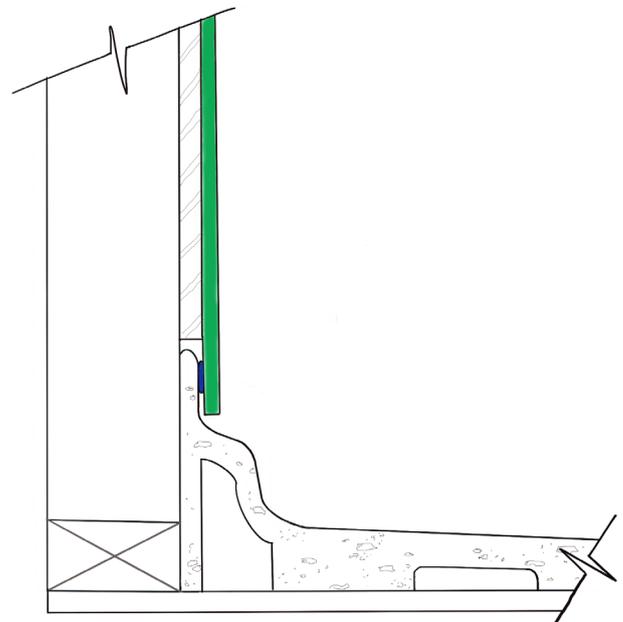
**Wall vanity junction**



**Rebated wall-bath edge seal**



**Wall-shower tray junction**



### 3.11 Trimming

Attach inside/outside corner trims with adhesive to the substrate, using a small bead of adhesive.

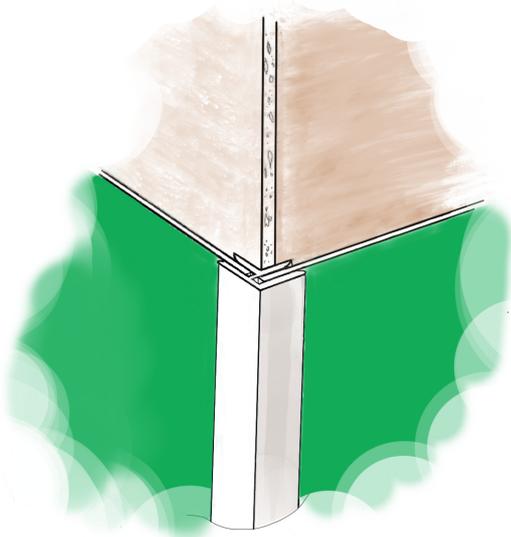
Apply a bead of sealant into each of the channels of the trim to prevent water reaching the substrate.

Attach universal J trims (to finish the terminal end of sheets) by sliding into place on the sheet's edge.

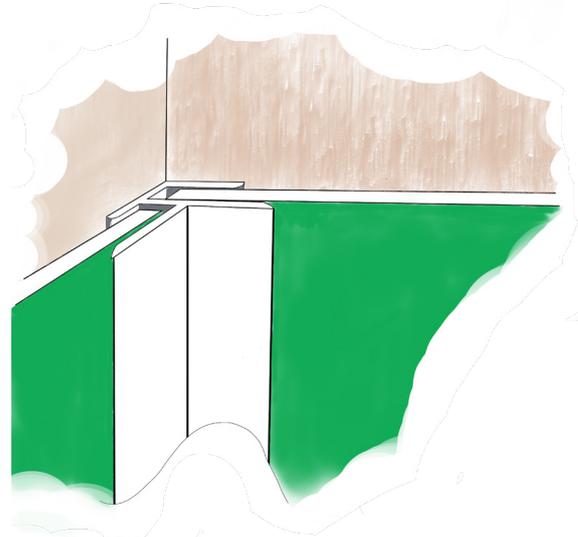
Do not apply adhesive within a few centimetres of the edge of the sheet. Apply a bead of sealant into the receiving channel of the trim and press into place.

Attach L trims (to cover an old existing exposed tiles) by pressing the trim into place with a bead of sealant on both the sheet and the substrate.

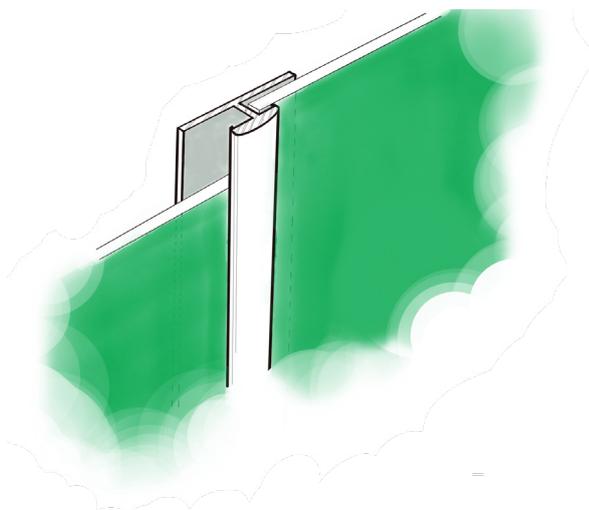
**External corner mould**



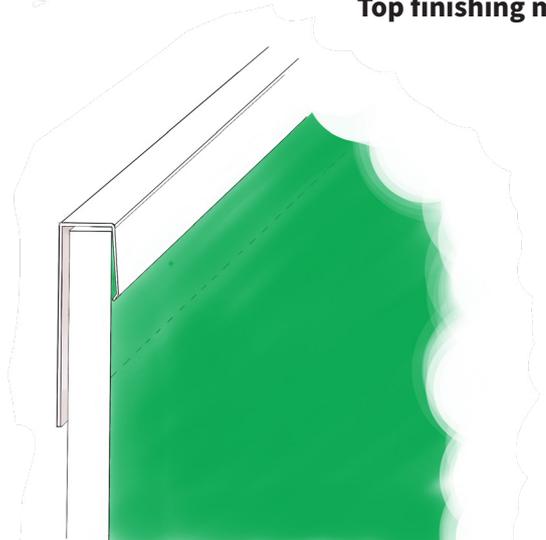
**Internal corner mould**



**Panel vertical jointer**



**Top finishing mould**



## 4. Care and Maintenance

When cleaning, check to ensure that the sealant and fixings are in place and the IBS Showerline sheets have not moved.

IBS Showerline sheets should be regularly cleaned. If the sheets are soiled with water-soluble dirt and stains, a simple solution of 5% detergent and warm water should be sufficient to remove the stain. Avoid the use of steel wool or abrasive cleaning products.

For difficult or non-water-soluble stains, a household cleaning solution may be used. Test clean in an inconspicuous area before use. Do not use abrasive, aggressive substances, chloride-based cleaning products, or solvents, including cream type cleaners.

Commercial cleaners, that are mixed on-site, must not be used.

Use of any of these cleaners will void the warranty.



**Notes:**



Scan the QR code to view all Showerline Wetwall Lining documents.



1/7 Fraser Road, Panmure, Auckland, New Zealand  
0800 367 759 | info@ibs.co.nz  
www.ibs.co.nz