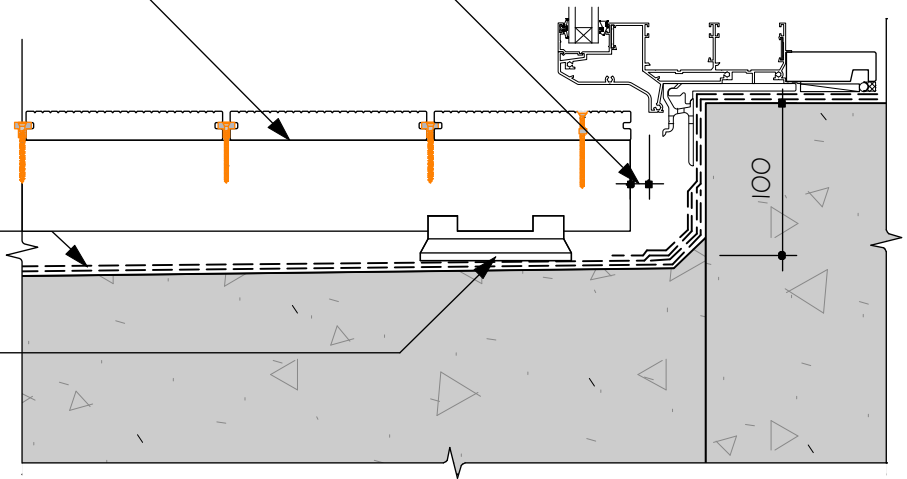


12mm min. clearance

Biform decking on joists @ 400 ctrs ripped to suit fall. Typically use min. 75 x 45 joists.

Selected membrane system to be run up parapet

Biform joist mounts @ 600 ctrs where joists ripped to less than 75mm deep, close up ctrs to 300ctr.

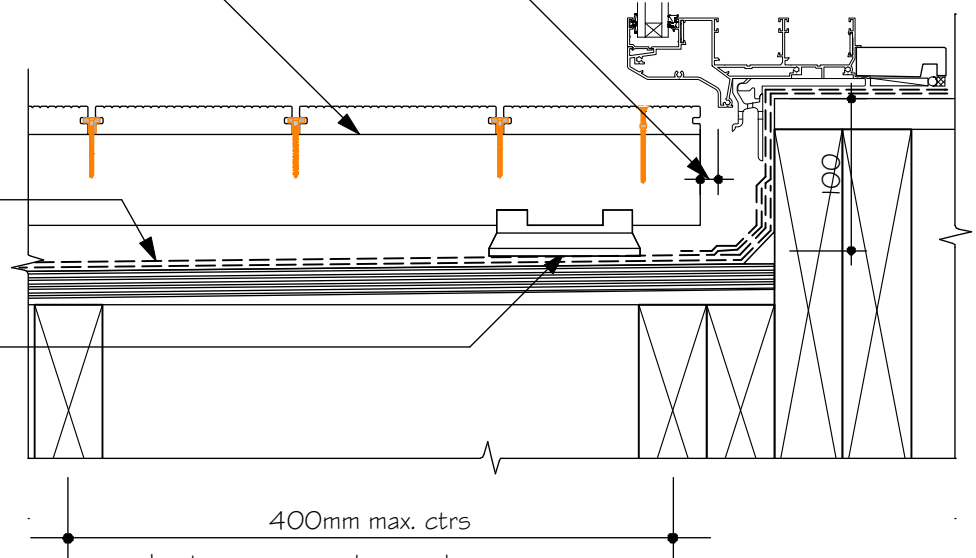


12mm min. clearance

Biform decking on joists @ 400 ctrs ripped to suit fall. Typically use min. 75 x 45 joists.

Selected membrane system to be run up parapet

Biform joist mounts @ 600 ctrs where joists ripped to less than 75mm deep, close up ctrs to 300ctr.



400mm max. ctrs
Joists spacing under membrane require joists @ 400mm max. ctrs in each direction, to restrict deflection to 1/360th.

All construction to be done in accordance with the NZBC.

Door Sill and Membrane Deck Options

Biform Ltd
PO Box 13842
Onehunga
AUCKLAND
New Zealand

0800 449 274
www.biform.co.nz
info@biform.co.nz

Dwg No#: 11
Scale: : as shown
Revision:
Date: 15.10.2018

biform
SOLID COMPOSITE DECKING

BRANZ Appraised
Appraisal No.680 [2010]