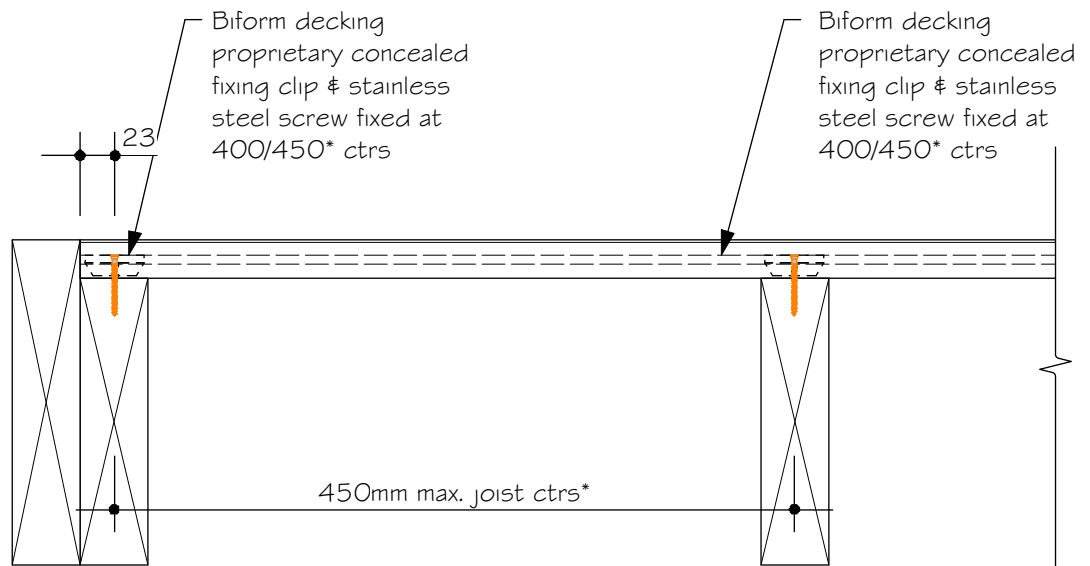


**Note:**  
Required joist centres\* as follows:

130 x 19 @ 400 ctrs  
Form 130 Profile

140 x 25 @ 450 ctrs  
Form 140 Profile



Typical Fixing

All construction to be done in accordance with the NZBC.

Biform Ltd  
PO Box 13842  
Onehunga  
AUCKLAND  
New Zealand  
0800 449 274  
www.biform.co.nz  
info@biform.co.nz

Dwg No#: 01  
Scale: : as shown  
Revision:  
Date: 19.09.2014

**biform**  
SOLID COMPOSITE DECKING

