

KS1000 EVO WALL VERTICALLY LAID			
DATE	DESCRIPTION_2	DRG_REF	REVISION
18.03.19	KS1000 EVO WALL VERTICAL DWG LIST	EVO_VS_00	-
18.03.19	KS1000 EVOLUTION AXIS WALL PANEL PROFILE.	EVO_VS_01	-
18.03.19	KS1000 EVOLUTION MULTI-GROOVE WALL PANEL PROFILE.	EVO_VS_02	-
18.03.19	KS1000 EVOLUTION RECESS WALL PANEL PROFILE.	EVO_VS_03	-
18.03.19	WALL VERTICAL JOINS	EVO_VS_04	-
18.03.19	WALL VERTICAL SHEETING RAILS	EVO_VS_05	-
18.03.19	WALL VERTICAL EVO BASE DETAIL	EVO_VS_06	-
18.03.19	WALL VERTICAL - EXTERNAL CORNER	EVO_VS_07	-
18.03.19	WALL VERTICAL - INTERNAL CORNER	EVO_VS_08	-
18.03.19	WALL VERTICAL ABUTMENT TO MASONRY	EVO_VS_09	-
18.03.19	WALL VERTICAL ABUTMENT TO MASONRY	EVO_VS_10	-
18.03.19	WALL VERTICAL EAVES GUTTER	EVO_VS_11	-
18.03.19	WALL VERTICAL OVERHANGING EAVES GUTTER	EVO_VS_12	-
18.03.19	WALL VERTICAL BOUNDARY GUTTER	EVO_VS_13	-
18.03.19	WALL VERTICAL - VERGE_1	EVO_VS_14	-
18.03.19	WALL VERTICAL VERGE_2	EVO_VS_15	-
18.03.19	WALL VERTICAL SKILLION DETAIL	EVO_VS_16	-
18.03.19	WALL VERTICAL TO HORIZONTAL & VERTICAL STACK JOINT DETAIL	EVO_VS_17	-
18.03.19	KS1000 EVO WALL VERTICAL WINDOW DETAIL	EVO_VS_20	-
18.03.19	KS1000 EVO WALL VERTICAL OVER HEAD DOOR DETAIL	EVO_VS_21	-
18.03.19	WALL VERTICAL LOUVRE DETAIL (VERT SECTION)	EVO_VS_22	-
18.03.19	WALL VERTICAL LOUVRE DETAIL (HORIZ. SECTIONS)	EVO_VS_23	-
18.03.19	WALL VERTICAL PENETRATION DETAIL	EVO_VS_24	-

SYSTEM KS1000 EVO WALL VERTICAL_Q1 2019			
DESCRIPTION KS1000 EVO WALL VERTICAL DWG LIST			
APPROVED BY JS	DATE 18.03.19	REVISION -	
DRG REF: EVO_VS_00	SCALE 1	SHEET 1 of 1	PAPER SIZE A4

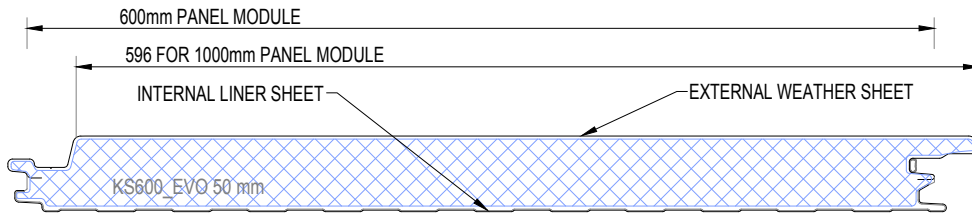
This document remains the property of Kingspan Ltd under copyright laws. Licence is granted to use this document and its contents in connection with Kingspan Ltd products only.  
©Kingspan Ltd

DO NOT SCALE. IF IN DOUBT ASK

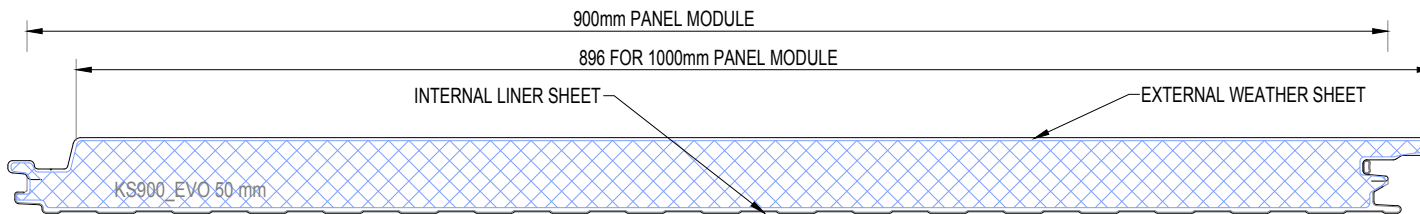
New Zealand: Kingspan Ltd  
97 Montreal St  
Christchurch  
Tel: +64 (3) 260 5530  
Fax: +64 (3) 260 5539  
Freephone: 0800 121280  
email: info@kingspanpanels.co.nz  
www.kingspanpanels.co.nz

  
**Kingspan.**  
Insulated Panels

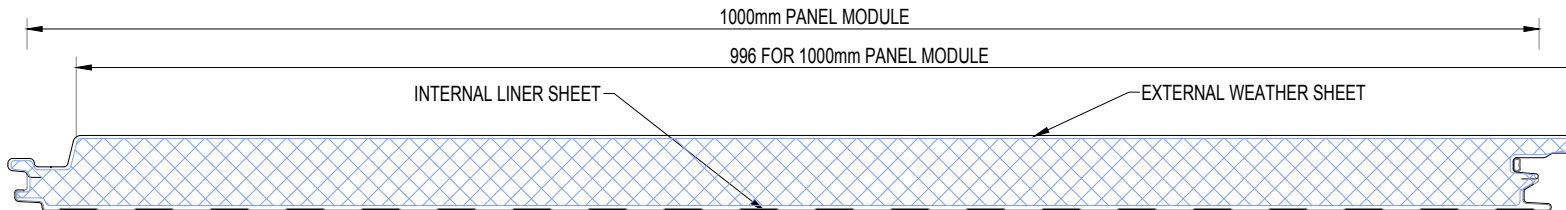
### KS 600 EVOLUTION AXIS PANEL PROFILE



### KS 900 EVOLUTION AXIS PANEL PROFILE

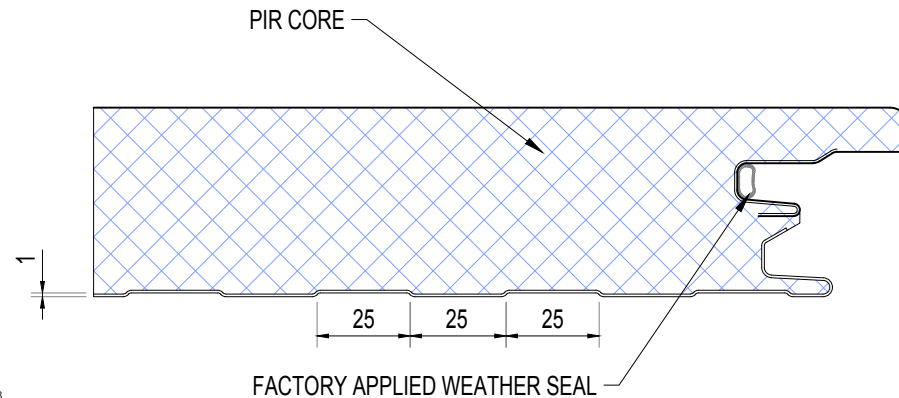
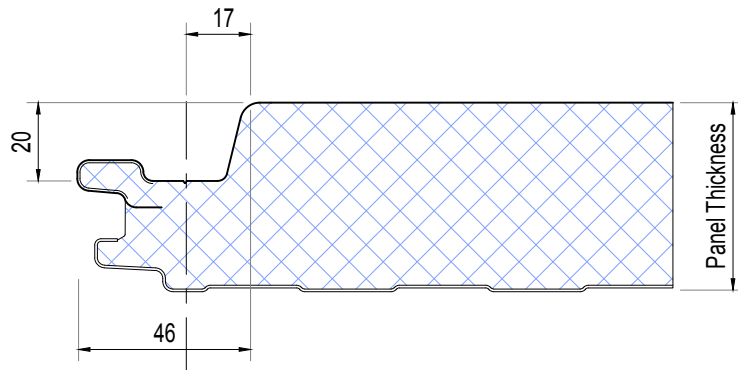


### KS1000 EVOLUTION AXIS PANEL PROFILE



AVAILABLE PANEL THICKNESSES	
Insulation Core	
50	
80	
100	
140	

Note: Above dimensions are nominal, actual dimensions will vary due to manufacturing tolerances. Exactly precise dimensions must always be measured from actual samples All dimensions in Millimetres.

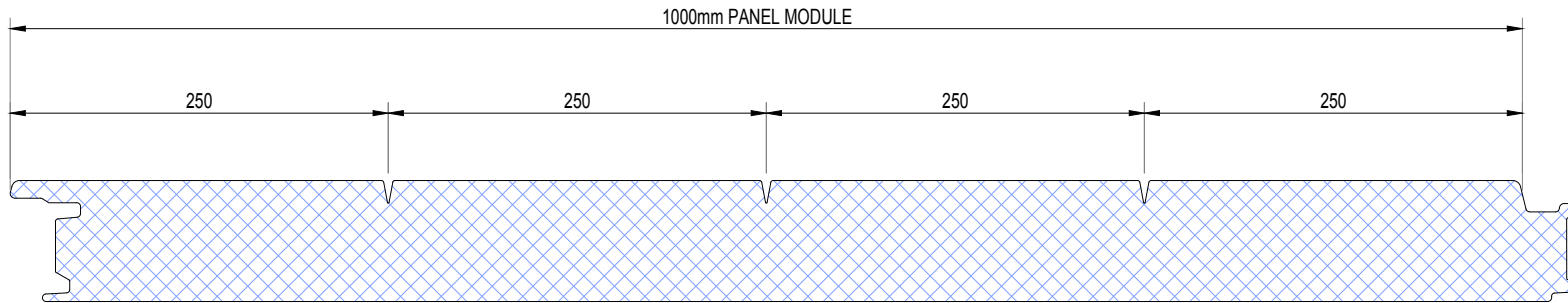


SYSTEM KS1000 EVO WALL VERTICAL_ Q1 2019			
DESCRIPTION KS1000 EVOLUTION AXIS WALL PANEL PROFILE.			
APPROVED BY JS	DATE 18.03.19	REVISION -	
DRG REF: EVO_VS_01	SCALE 1:5	SHEET 1 of 1	PAPER SIZE A4

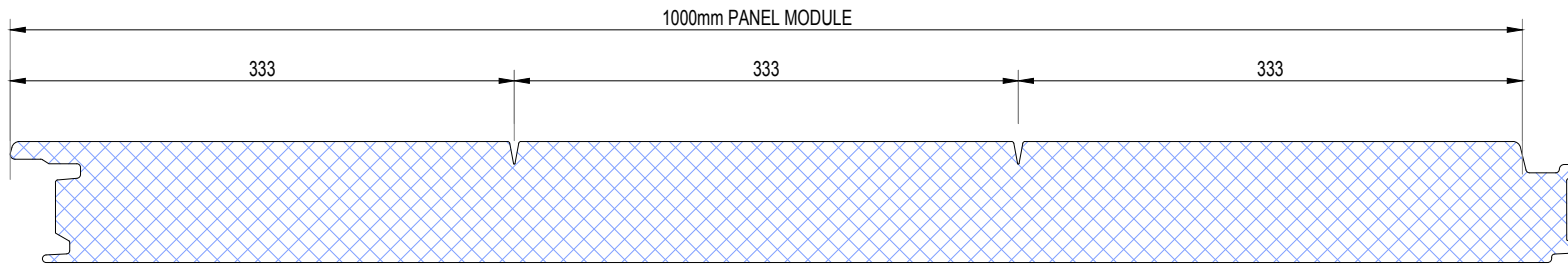
This document remains the property of Kingspan Ltd under copyright laws. Licence is granted to use this document and its contents in connection with Kingspan Ltd products only. ©Kingspan Ltd

DO NOT SCALE. IF IN DOUBT ASK

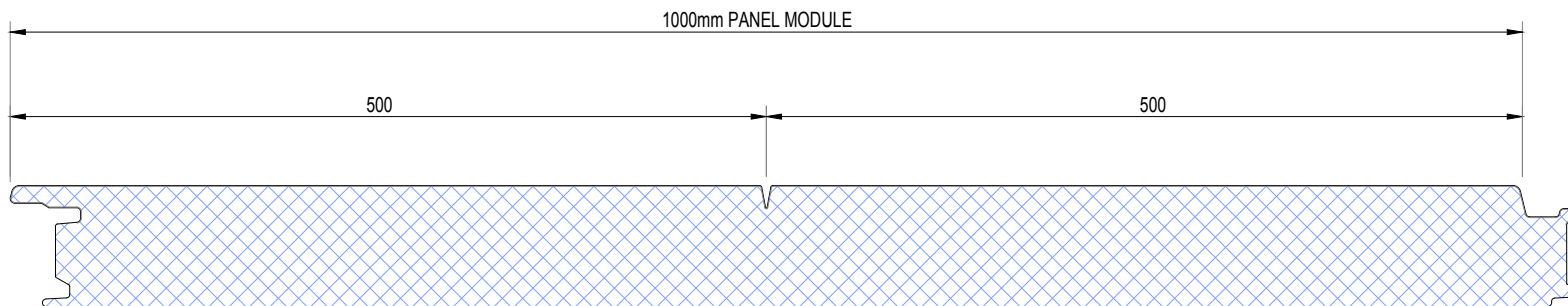
New Zealand: Kingspan Ltd  
97 Montreal St  
Christchurch  
Tel: +64 (3) 280 5530  
Fax: +64 (3) 280 5539  
Freephone: 0800 121280  
email: info@kingspanpanels.co.nz  
www.kingspanpanels.co.nz



MULTI-GROOVE PANEL PROFILE - 3 GROOVES



MULTI-GROOVE PANEL PROFILE - 2 GROOVES



MULTI-GROOVE PANEL PROFILE - 1 GROOVE

AVAILABLE PANEL THICKNESSES
Insulation Core
50
80
100
140

Note: Above dimensions are nominal, actual dimensions will vary due to manufacturing tolerances. Exactly precise dimensions must always be measured from actual samples All dimensions in Millimetres.

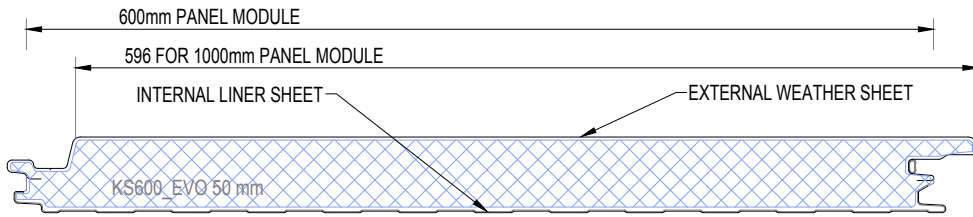
SYSTEM KS1000 EVO WALL VERTICAL_ Q1 2019			
DESCRIPTION KS1000 EVOLUTION MULTI-GROOVE WALL PANEL PROFILE.			
APPROVED BY JS	DATE 18.03.19	REVISION -	
DRG REF: EVO_VS_02	SCALE 1:5	SHEET 1 of 1	PAPER SIZE A4

This document remains the property of Kingspan Ltd under copyright laws. Licence is granted to use this document and its contents in connection with Kingspan Ltd products only.  
©Kingspan Ltd

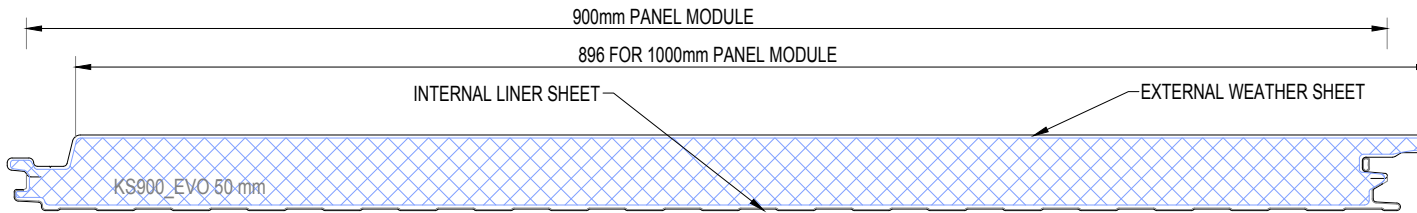
DO NOT SCALE. IF IN DOUBT ASK

<p>New Zealand: Kingspan Ltd 97 Montreal St Christchurch Tel: +64 (3) 260 5530 Fax: +64 (3) 260 5539 Freephone: 0800 121280 email: info@kingspanpanels.co.nz www.kingspanpanels.co.nz</p>	
---	---

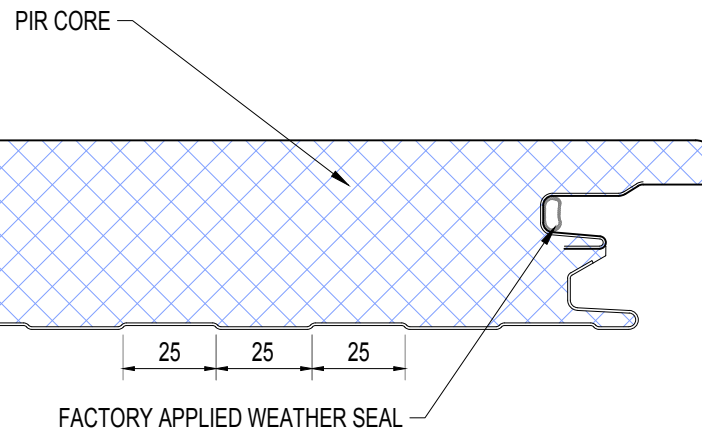
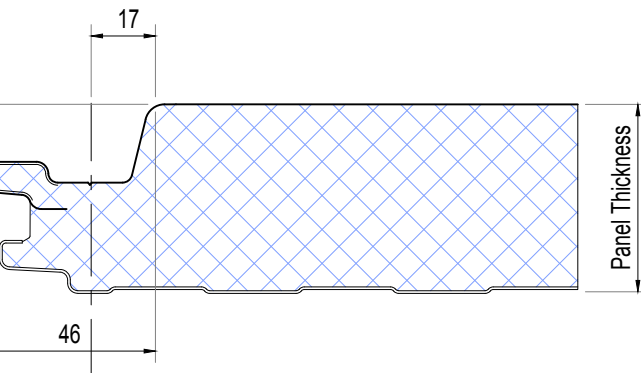
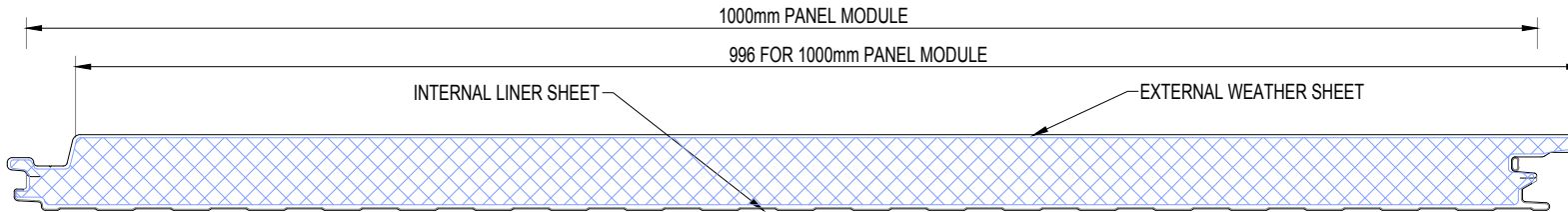
### KS 600 EVOLUTION RECESS PANEL PROFILE



### KS 900 EVOLUTION RECESS PANEL PROFILE



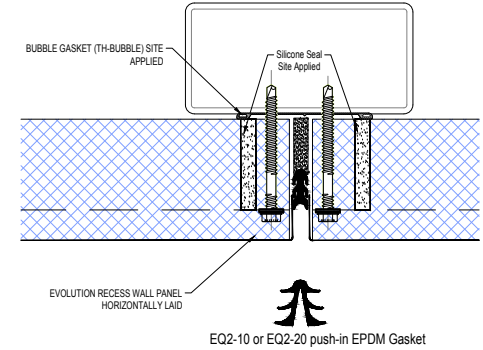
### KS1000 EVOLUTION RECESS PANEL PROFILE



AVAILABLE PANEL THICKNESSES	
Insulation Core	
50	
80	
100	
140	

Note: Above dimensions are nominal, actual dimensions will vary due to manufacturing tolerances. Exactly precise dimensions must always be measured from actual samples. All dimensions in Millimetres.

### EVOLUTION RECESS - VERTICAL JOINT FIXING & SEALS

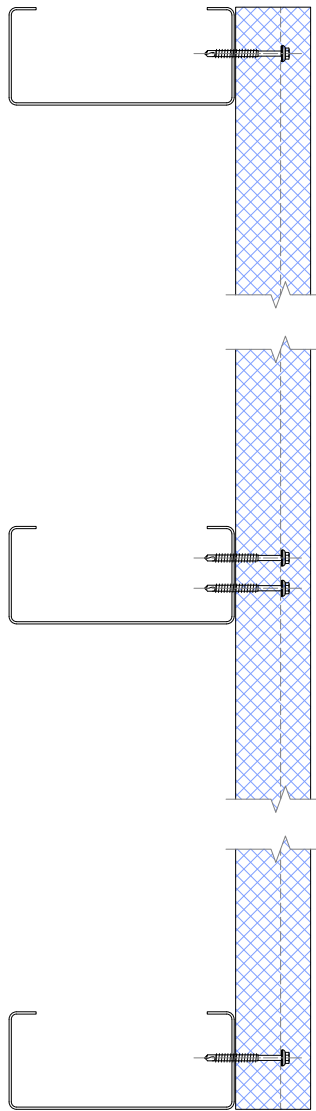


SYSTEM KS1000 EVO WALL VERTICAL_Q1 2019			
DESCRIPTION KS1000 EVOLUTION RECESS WALL PANEL PROFILE.			
APPROVED BY JS	DATE 18.03.19	REVISION -	
DRG REF: EVO_VS_03	SCALE 1:5	SHEET 1 of 1	PAPER SIZE A4

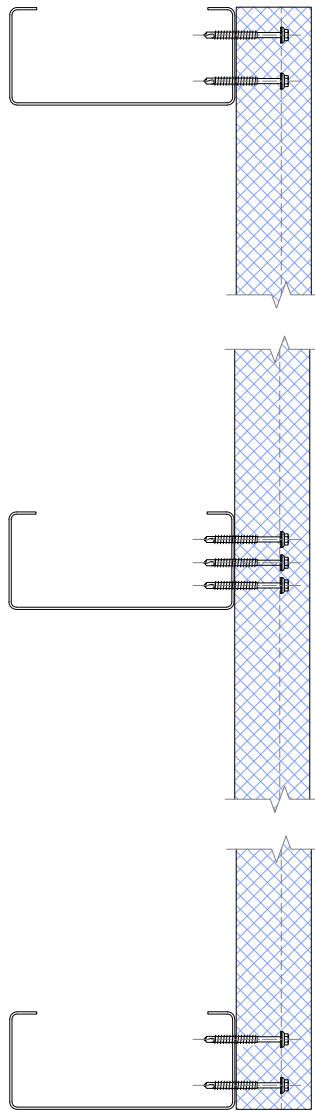
This document remains the property of Kingspan Ltd under copyright laws. Licence is granted to use this document and its contents in connection with Kingspan Ltd products only. ©Kingspan Ltd

DO NOT SCALE. IF IN DOUBT ASK

New Zealand: Kingspan Ltd  
97 Montreal St  
Christchurch  
Tel: +64 (3) 260 5530  
Fax: +64 (3) 260 5539  
Freephone: 0800 121280  
email: info@kingspanpanels.co.nz  
www.kingspanpanels.co.nz



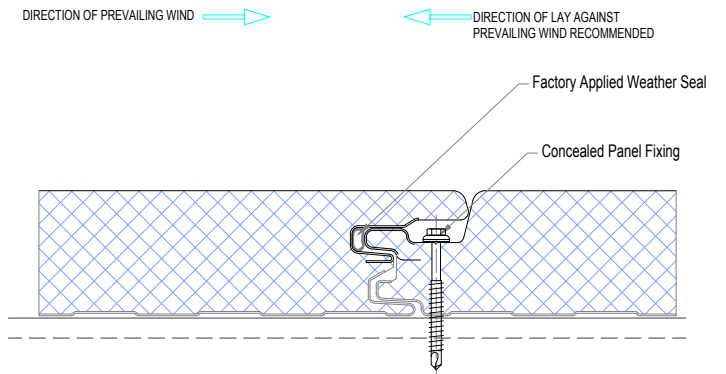
Recommended Fastener Locations:  
Pattern A



Pattern B (High Pressure Zone)

Note: Fastener Locations Depend on the Actual Design Suction Load

## Vertical Panel Joint & Fastener Locations



SYSTEM KS1000 EVO WALL VERTICAL_ Q1 2019			
DESCRIPTION WALL VERTICAL JOINS			
APPROVED BY JS	DATE 18.03.19	REVISION -	
DRG REF: EVO_VS_04	SCALE 1:5	SHEET 1 of 1	PAPER SIZE A4

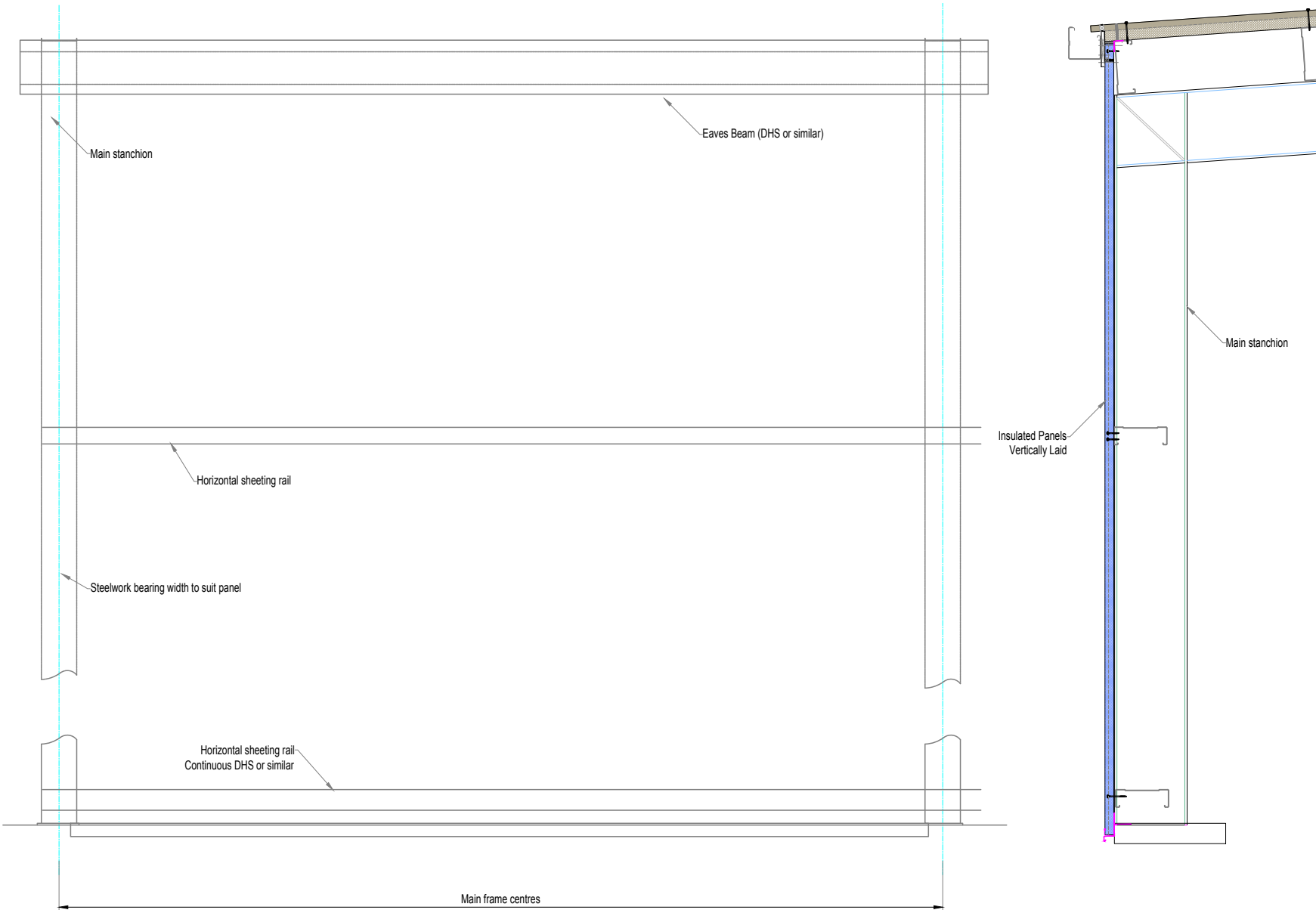
This document remains the property of Kingspan Ltd under copyright laws. Licence is granted to use this document and its contents in connection with Kingspan Ltd products only.  
©Kingspan Ltd

DO NOT SCALE. IF IN DOUBT ASK

New Zealand: Kingspan Ltd  
97 Montreal St  
Christchurch  
Tel: +64 (3) 260 5530  
Fax: +64 (3) 260 5539  
Freephone: 0800 121280  
email: info@kingspanpanels.co.nz  
www.kingspanpanels.co.nz



# Horizontal Sheeting Rails Typical Layout for Vertically Fixed Panels



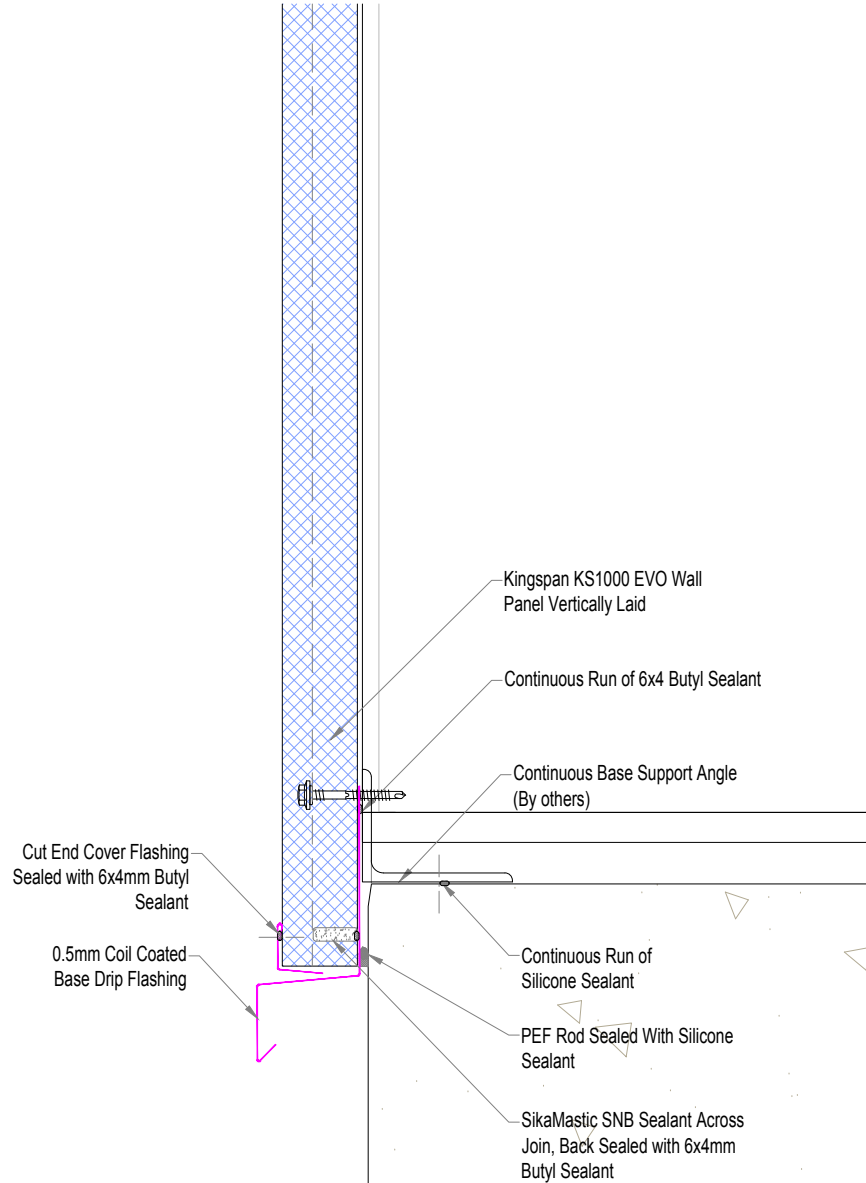
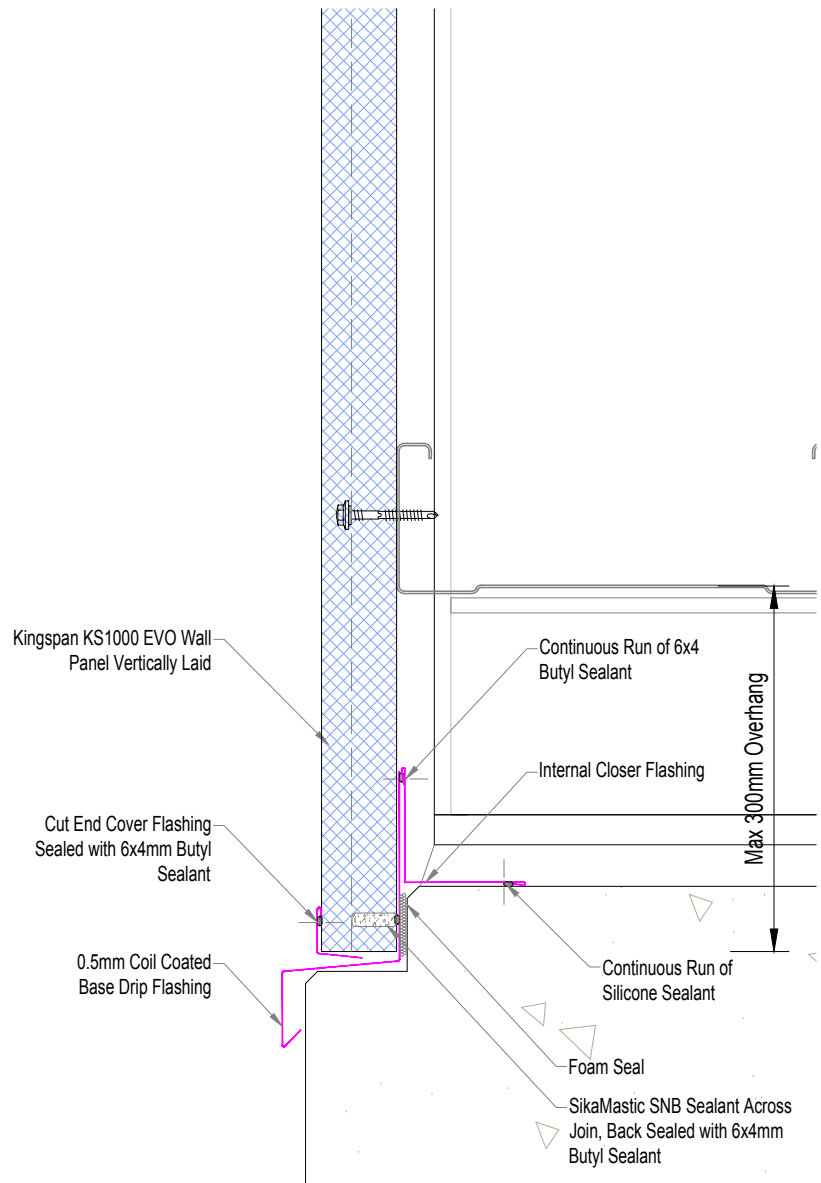
SYSTEM KS1000 EVO WALL VERTICAL_Q1 2019			
DESCRIPTION WALL VERTICAL SHEETING RAILS			
APPROVED BY JS	DATE 18.03.19	REVISION -	
DRG REF: EVO_VS_05	SCALE NTS	SHEET 1 of 1	PAPER SIZE A4

This document remains the property of Kingspan Ltd under copyright laws. Licence is granted to use this document and its contents in connection with Kingspan Ltd products only.  
©Kingspan Ltd

DO NOT SCALE. IF IN DOUBT ASK

New Zealand: Kingspan Ltd  
 97 Montreal St  
 Christchurch  
 Tel: +64 (3) 260 5530  
 Fax: +64 (3) 260 5539  
 Freephone: 0800 121280  
 email: info@kingspanpanels.co.nz  
 www.kingspanpanels.co.nz



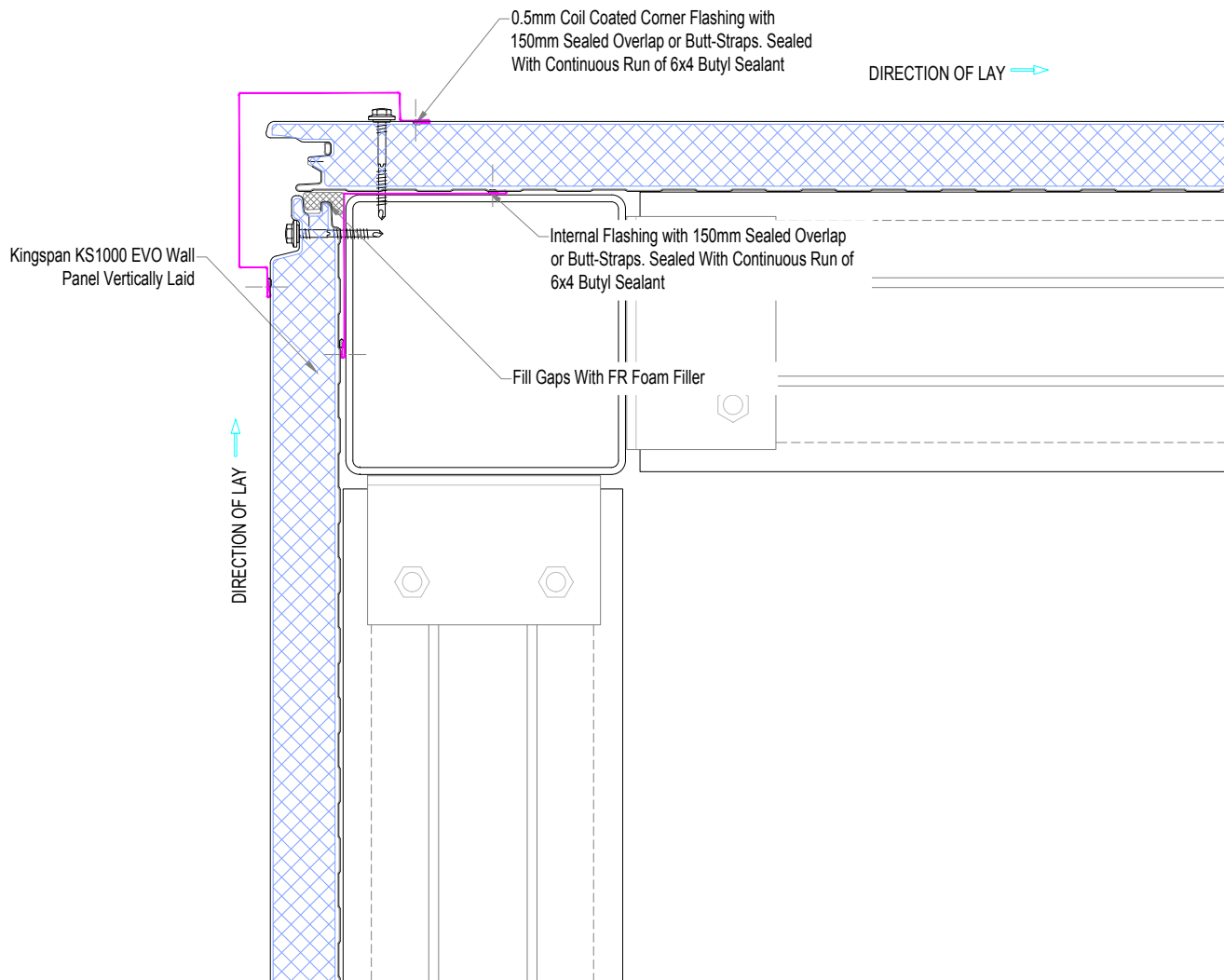


SYSTEM KS1000 EVO WALL VERTICAL_ Q1 2019			
DESCRIPTION WALL VERTICAL EVO BASE DETAIL			
APPROVED BY JS	DATE 18.03.19	REVISION -	
DRG REF: EVO_VS_06	SCALE 1:5	SHEET 1 of 1	PAPER SIZE A4

This document remains the property of Kingspan Ltd under copyright laws. Licence is granted to use this document and its contents in connection with Kingspan Ltd products only.  
©Kingspan Ltd

DO NOT SCALE. IF IN DOUBT ASK

New Zealand: Kingspan Ltd  
 97 Montreal St  
 Christchurch  
 Tel: +64 (3) 260 5530  
 Fax: +64 (3) 260 5539  
 Freephone: 0800 121280  
 email: info@kingspanpanels.co.nz  
 www.kingspanpanels.co.nz



SYSTEM KS1000 EVO WALL VERTICAL_Q1 2019			
DESCRIPTION WALL VERTICAL - EXTERNAL CORNER			
APPROVED BY JS	DATE 18.03.19	REVISION -	
DRG REF: EVO_VS_07	SCALE 1:5	SHEET 1 of 1	PAPER SIZE A4

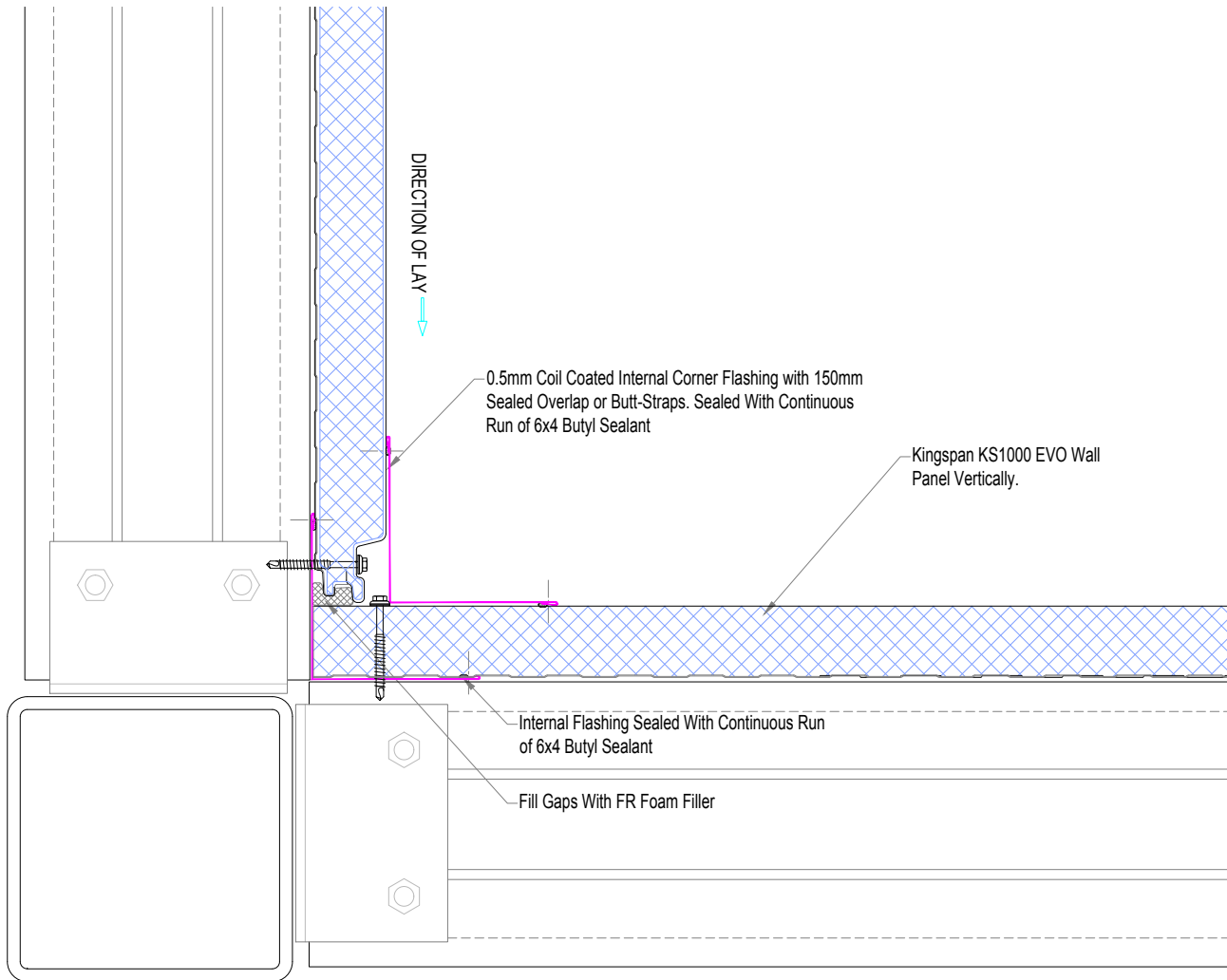
This document remains the property of Kingspan Ltd under copyright laws. Licence is granted to use this document and its contents in connection with Kingspan Ltd products only.  
©Kingspan Ltd

DO NOT SCALE. IF IN DOUBT ASK

New Zealand: Kingspan Ltd  
97 Montreal St  
Christchurch  
Tel: +64 (3) 260 5530  
Fax: +64 (3) 260 5539  
Freephone: 0800 121280  
email: info@kingspanpanels.co.nz  
www.kingspanpanels.co.nz





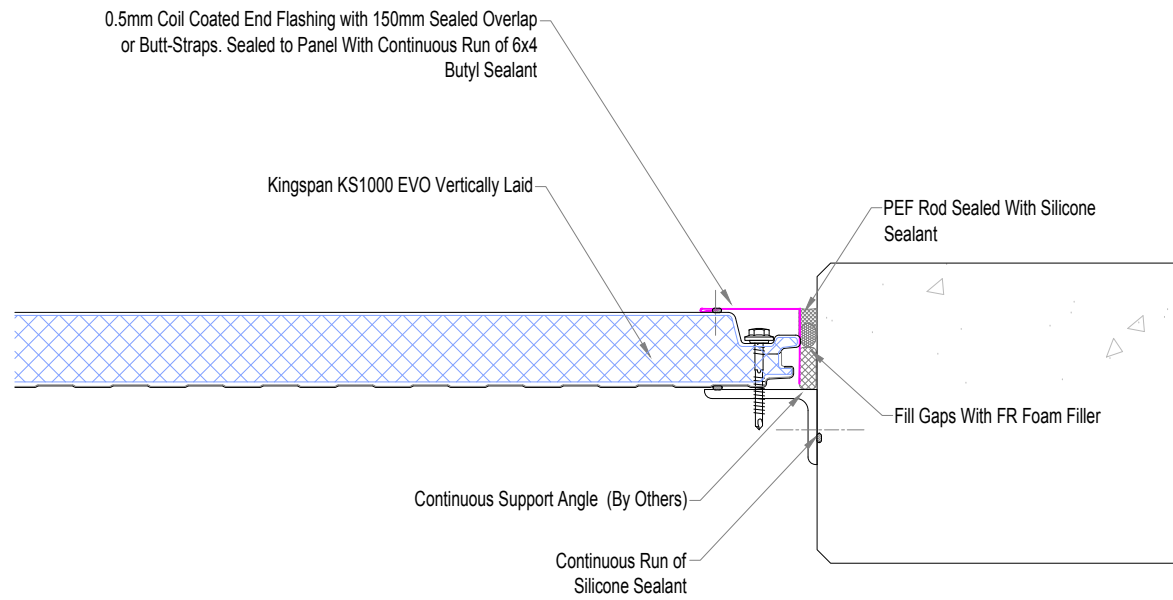
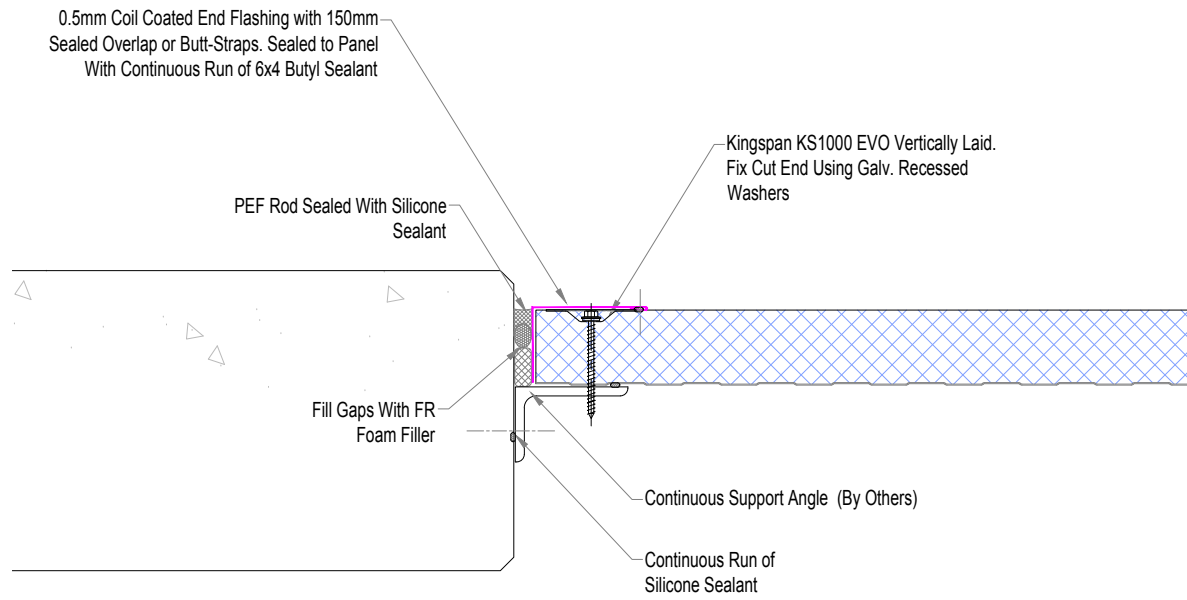


SYSTEM KS1000 EVO WALL VERTICAL_Q1 2019			
DESCRIPTION WALL VERTICAL - INTERNAL CORNER			
APPROVED BY JS	DATE 18.03.19	REVISION -	
DRG REF: EVO_VS_08	SCALE 1:5	SHEET 1 of 1	PAPER SIZE A4

This document remains the property of Kingspan Ltd under copyright laws. Licence is granted to use this document and its contents in connection with Kingspan Ltd products only.  
©Kingspan Ltd

DO NOT SCALE. IF IN DOUBT ASK

New Zealand: Kingspan Ltd  
97 Montreal St  
Christchurch  
Tel: +64 (3) 260 5530  
Fax: +64 (3) 260 5539  
Freephone: 0800 121280  
email: info@kingspanpanels.co.nz  
www.kingspanpanels.co.nz

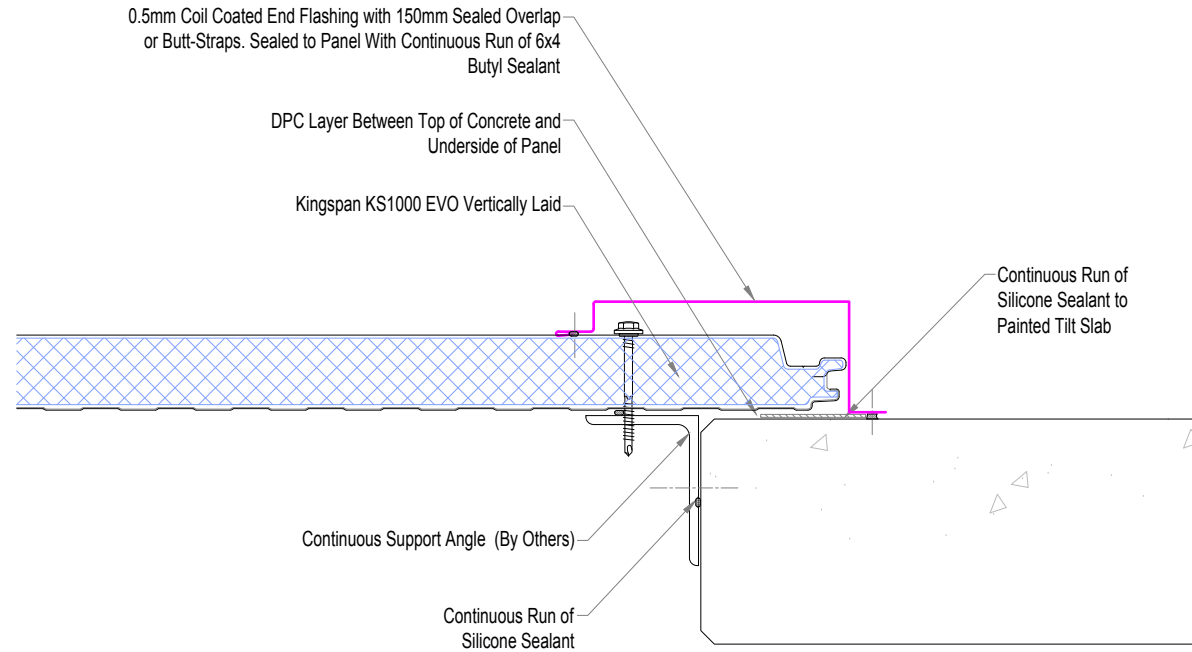
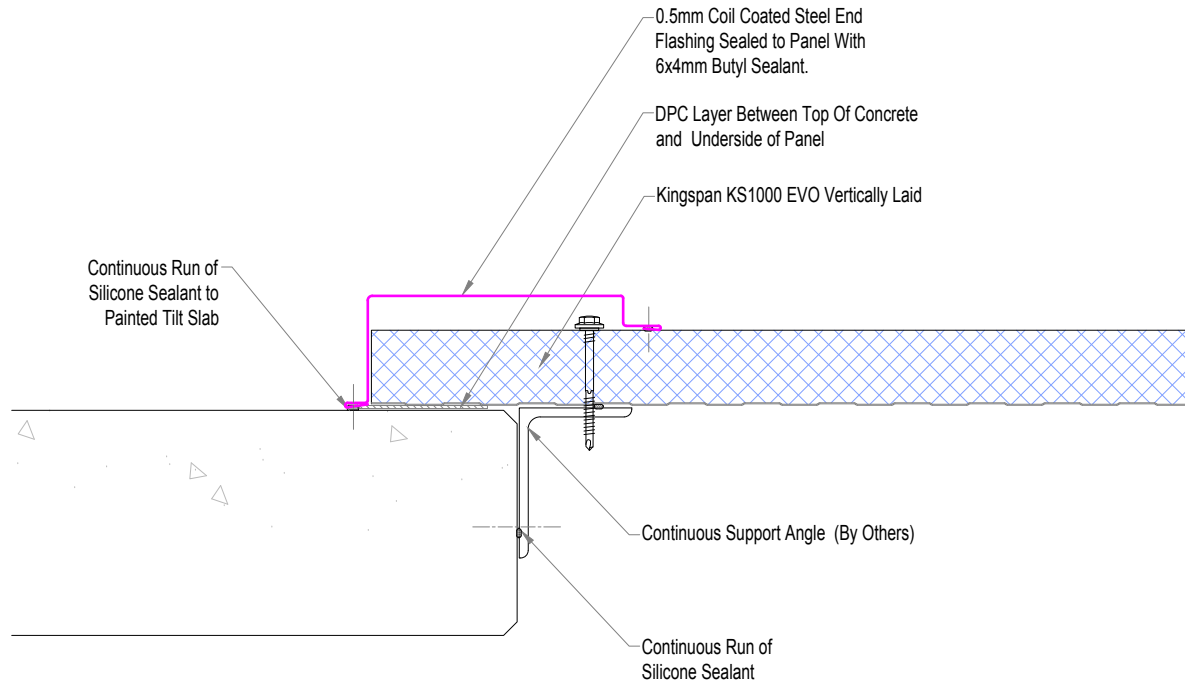


SYSTEM KS1000 EVO WALL VERTICAL_Q1 2019			
DESCRIPTION WALL VERTICAL ABUTMENT TO MASONRY			
APPROVED BY JS	DATE 18.03.19	REVISION -	
DRG REF: EVO_VS_09	SCALE 1:5	SHEET 1 of 1	PAPER SIZE A4

This document remains the property of Kingspan Ltd under copyright laws. Licence is granted to use this document and its contents in connection with Kingspan Ltd products only.  
©Kingspan Ltd

DO NOT SCALE. IF IN DOUBT ASK

New Zealand: Kingspan Ltd  
97 Montreal St  
Christchurch  
Tel: +64 (3) 260 5530  
Fax: +64 (3) 260 5539  
Freephone: 0800 121280  
email: info@kingspanpanels.co.nz  
www.kingspanpanels.co.nz



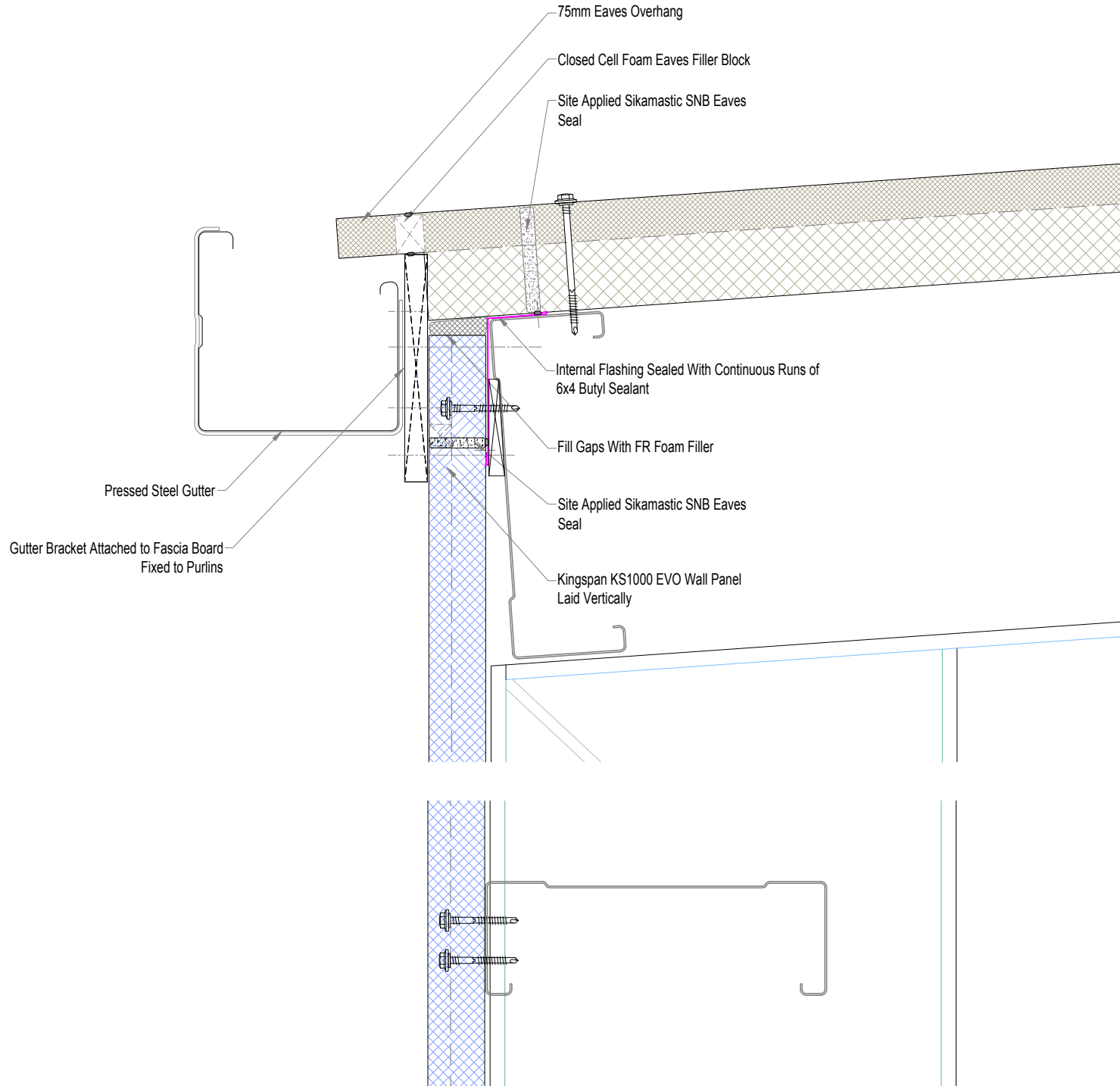
SYSTEM KS1000 EVO WALL VERTICAL_Q1 2019			
DESCRIPTION WALL VERTICAL ABUTMENT TO MASONRY			
APPROVED BY JS	DATE 18.03.19	REVISION -	
DRG REF: EVO_VS_10	SCALE 1:5	SHEET 1 of 1	PAPER SIZE A4

This document remains the property of Kingspan Ltd under copyright laws. Licence is granted to use this document and its contents in connection with Kingspan Ltd products only.  
©Kingspan Ltd

DO NOT SCALE. IF IN DOUBT ASK

New Zealand: Kingspan Ltd  
 97 Montreal St  
 Christchurch  
 Tel: +64 (3) 260 5530  
 Fax: +64 (3) 260 5539  
 Freephone: 0800 121280  
 email: info@kingspanpanels.co.nz  
 www.kingspanpanels.co.nz



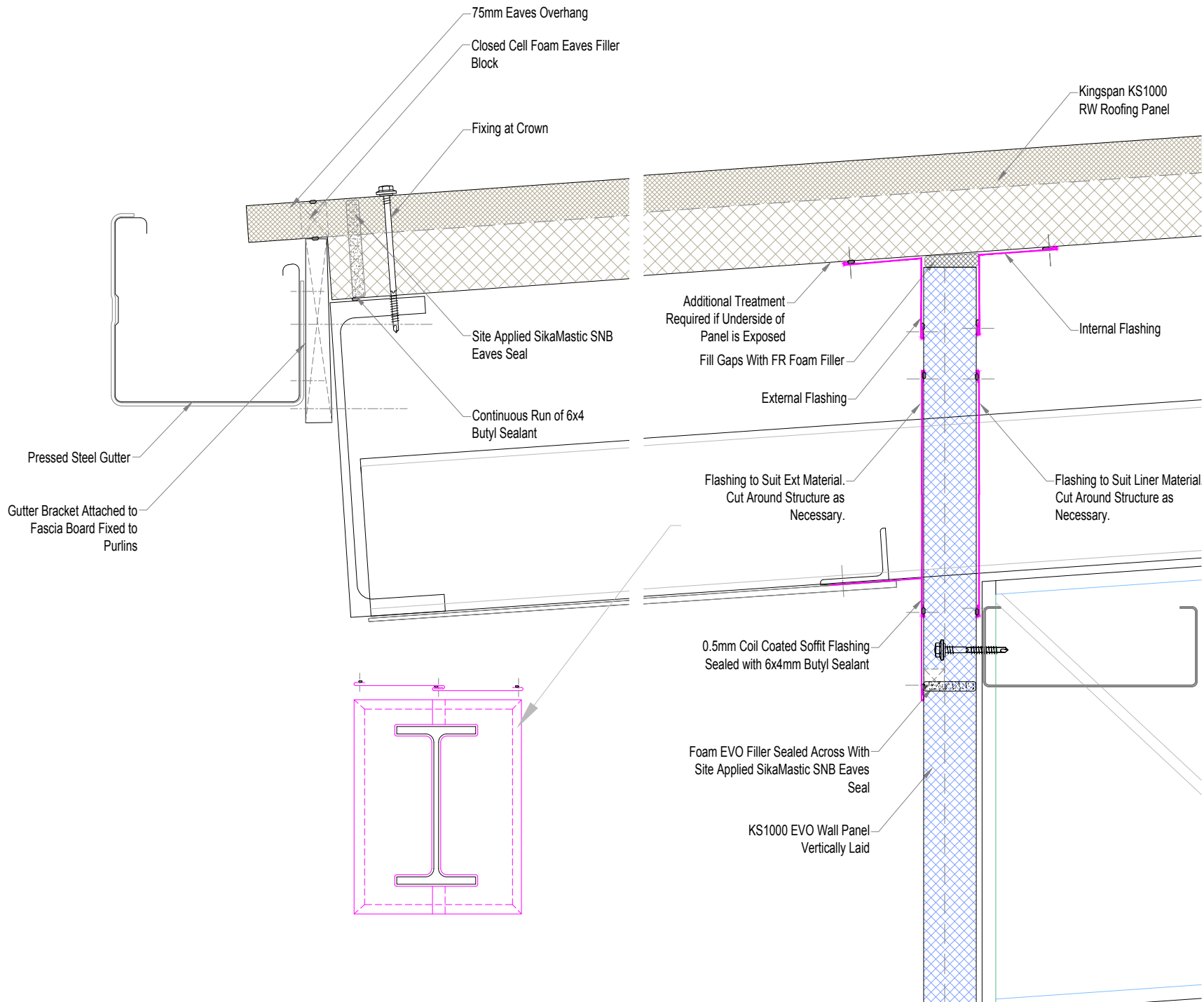


SYSTEM KS1000 EVO WALL VERTICAL_Q1 2019			
DESCRIPTION WALL VERTICAL EAVES GUTTER			
APPROVED BY JS	DATE 18.03.19	REVISION -	
DRG REF: EVO_VS_11	SCALE 1:5	SHEET 1 of 1	PAPER SIZE A4

This document remains the property of Kingspan Ltd under copyright laws. Licence is granted to use this document and its contents in connection with Kingspan Ltd products only.  
©Kingspan Ltd

DO NOT SCALE. IF IN DOUBT ASK

New Zealand: Kingspan Ltd  
97 Montreal St  
Christchurch  
Tel: +64 (3) 260 5530  
Fax: +64 (3) 260 5539  
Freephone: 0800 121280  
email: info@kingspanpanels.co.nz  
www.kingspanpanels.co.nz

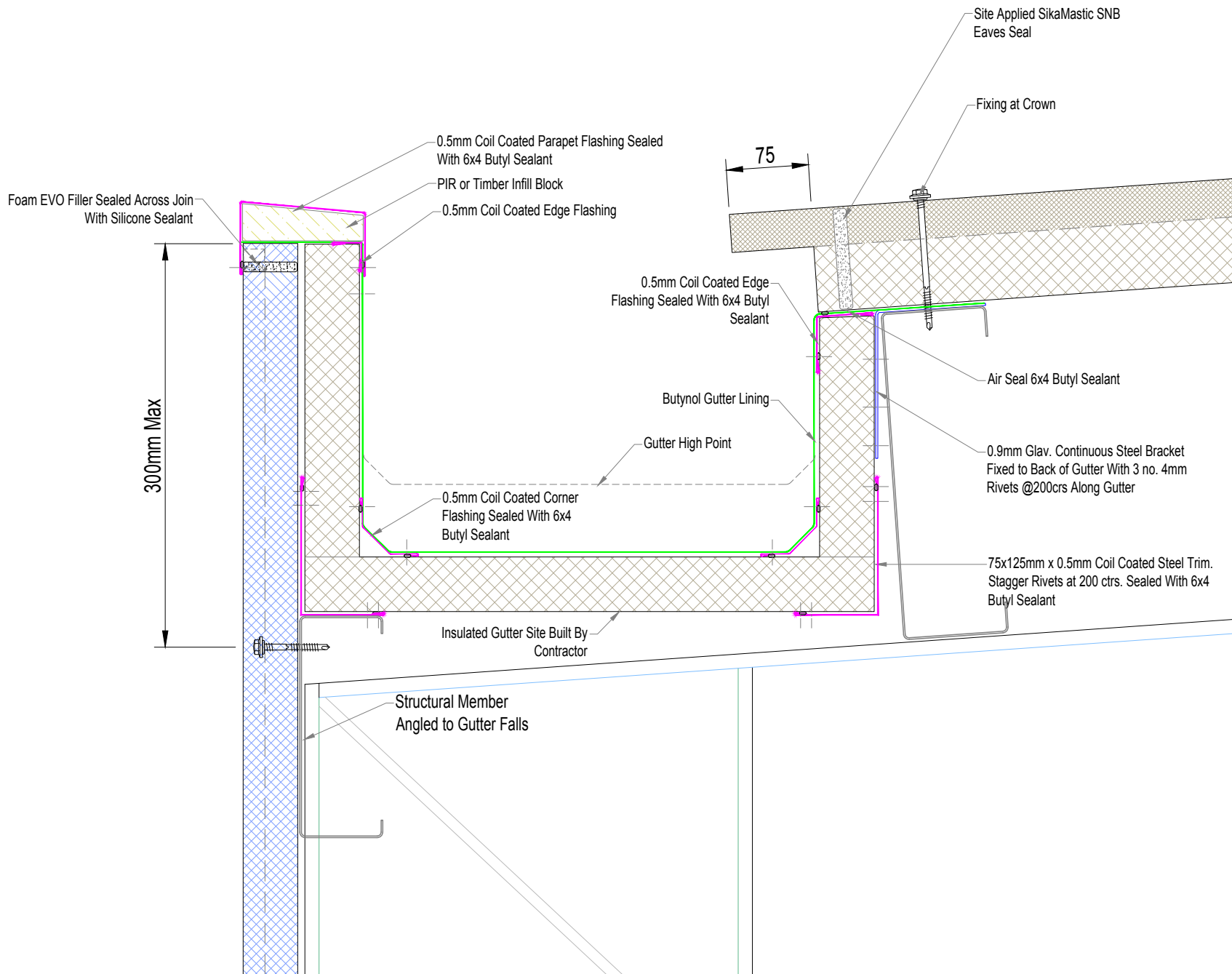


SYSTEM KS1000 EVO WALL VERTICAL_Q1 2019			
DESCRIPTION WALL VERTICAL OVERHANGING EAVES GUTTER			
APPROVED BY JS	DATE 18.03.19	REVISION -	
DRG REF: EVO_VS_12	SCALE 1:5	SHEET 1 of 1	PAPER SIZE A4

This document remains the property of Kingspan Ltd under copyright laws. Licence is granted to use this document and its contents in connection with Kingspan Ltd products only.  
©Kingspan Ltd

DO NOT SCALE. IF IN DOUBT ASK

New Zealand: Kingspan Ltd  
97 Montreal St  
Christchurch  
Tel: +64 (3) 260 5530  
Fax: +64 (3) 260 5539  
Freephone: 0800 121280  
email: info@kingspanpanels.co.nz  
www.kingspanpanels.co.nz

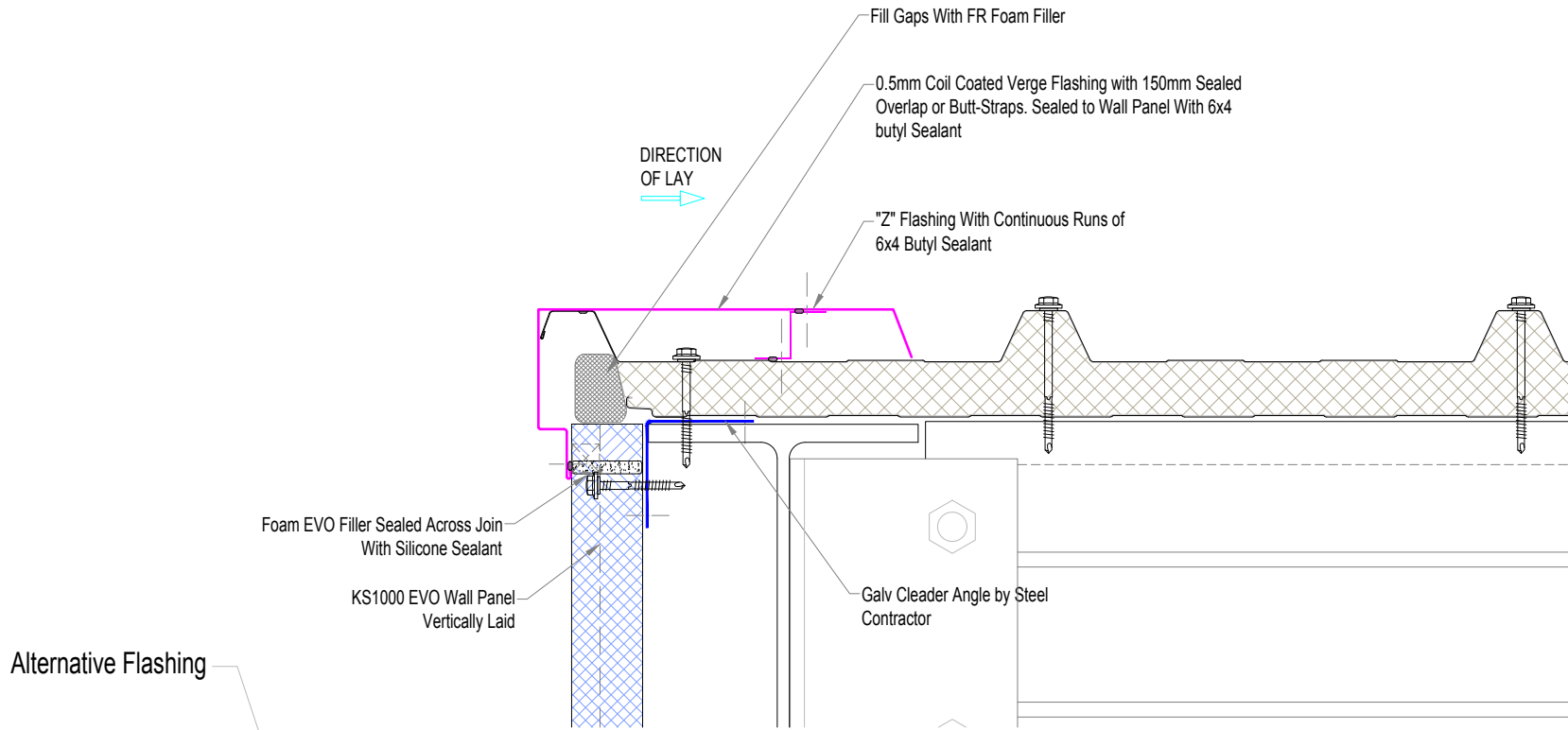


SYSTEM KS1000 EVO WALL VERTICAL_Q1 2019			
DESCRIPTION WALL VERTICAL BOUNDARY GUTTER			
APPROVED BY JS	DATE 18.03.19	REVISION -	
DRG REF: EVO_VS_13	SCALE 1:5	SHEET 1 of 1	PAPER SIZE A4

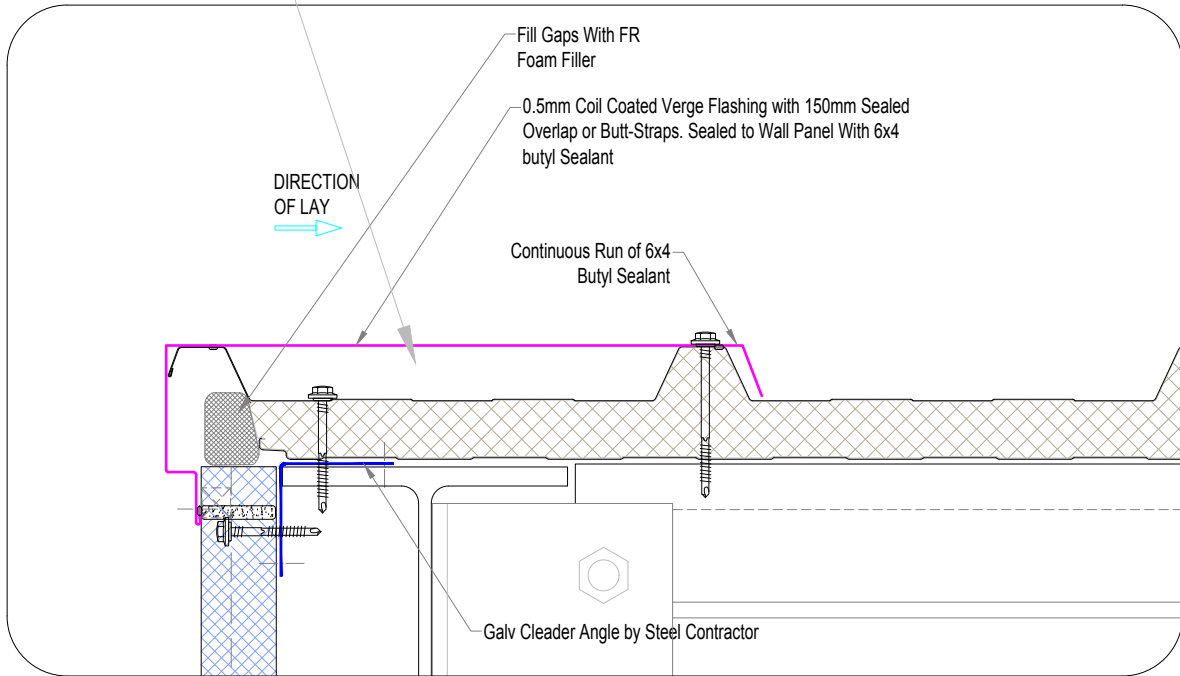
This document remains the property of Kingspan Ltd under copyright laws. Licence is granted to use this document and its contents in connection with Kingspan Ltd products only.  
©Kingspan Ltd

DO NOT SCALE. IF IN DOUBT ASK

New Zealand: Kingspan Ltd  
97 Montreal St  
Christchurch  
Tel: +64 (3) 260 5530  
Fax: +64 (3) 260 5539  
Freephone: 0800 121280  
email: info@kingspanpanels.co.nz  
www.kingspanpanels.co.nz



Alternative Flashing



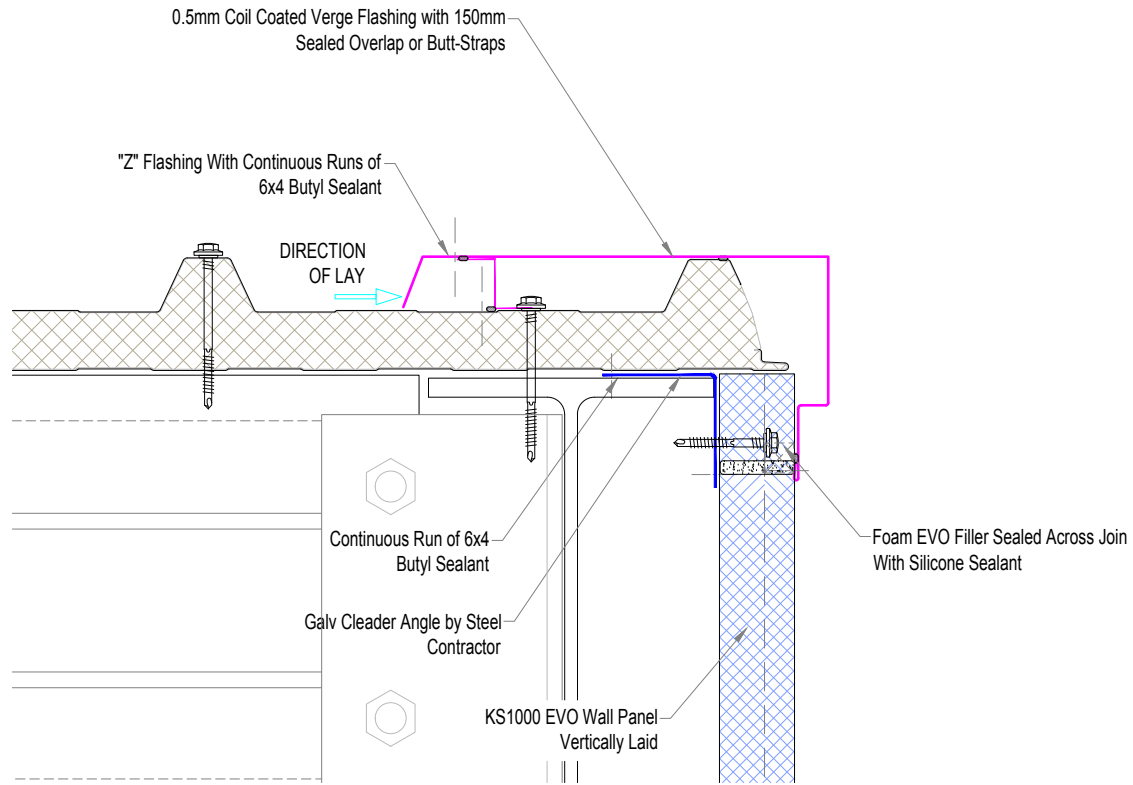
SYSTEM KS1000 EVO WALL VERTICAL_Q1 2019			
DESCRIPTION WALL VERTICAL - VERGE_1			
APPROVED BY JS	DATE 18.03.19	REVISION -	
DRG REF: EVO_VS_14	SCALE 1:5	SHEET 1 of 1	PAPER SIZE A4

This document remains the property of Kingspan Ltd under copyright laws. Licence is granted to use this document and its contents in connection with Kingspan Ltd products only.  
©Kingspan Ltd

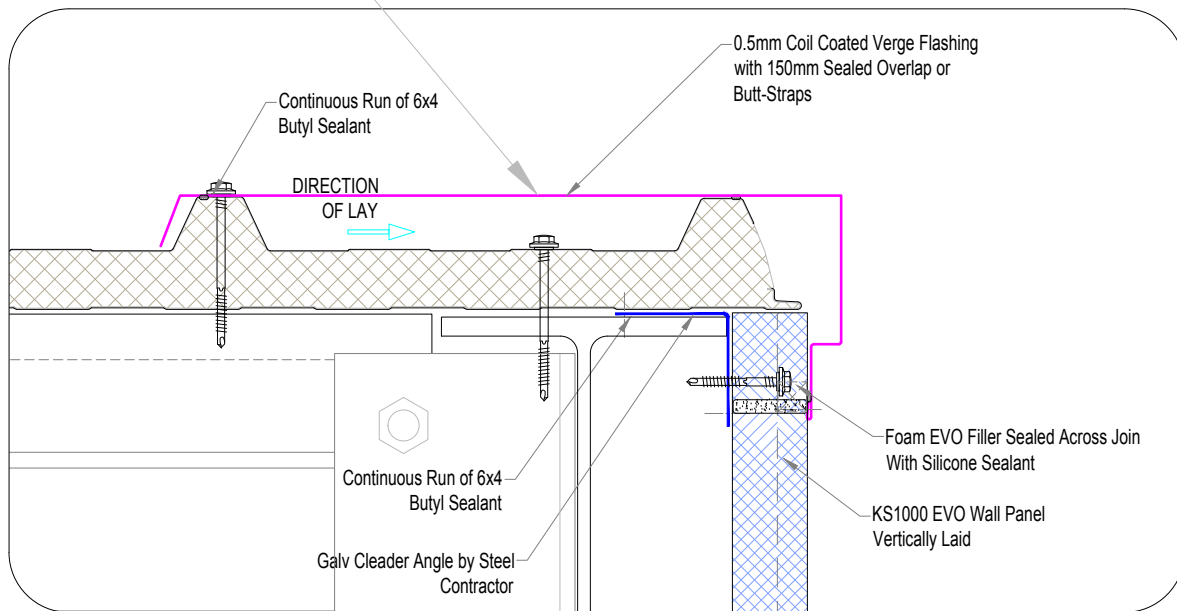
DO NOT SCALE. IF IN DOUBT ASK

New Zealand: Kingspan Ltd  
97 Montreal St  
Christchurch  
Tel: +64 (3) 260 5530  
Fax: +64 (3) 260 5539  
Freephone: 0800 121280  
email: info@kingspanpanels.co.nz  
www.kingspanpanels.co.nz





Alternative Flashing



SYSTEM KS1000 EVO WALL VERTICAL_Q1 2019			
DESCRIPTION WALL VERTICAL VERGE_2			
APPROVED BY JS	DATE 18.03.19	REVISION -	
DRG REF: EVO_VS_15	SCALE 1:5	SHEET 1 of 1	PAPER SIZE A4

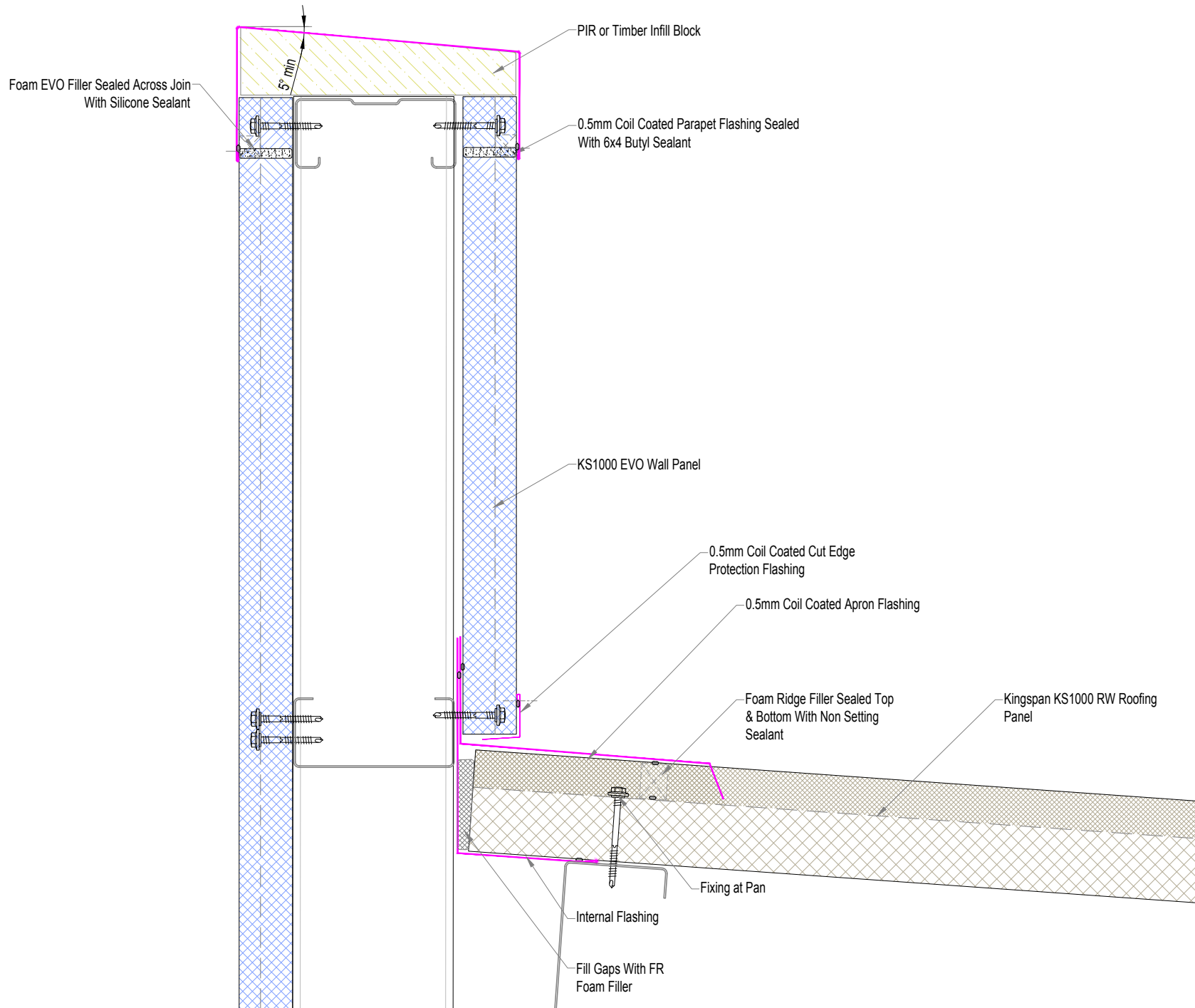
This document remains the property of Kingspan Ltd under copyright laws. Licence is granted to use this document and its contents in connection with Kingspan Ltd products only.  
©Kingspan Ltd

DO NOT SCALE. IF IN DOUBT ASK

New Zealand: Kingspan Ltd  
97 Montreal St  
Christchurch  
Tel: +64 (3) 260 5530  
Fax: +64 (3) 260 5539  
Freephone: 0800 121280  
email: info@kingspanpanels.co.nz  
www.kingspanpanels.co.nz

**Kingspan.**  
Insulated Panels





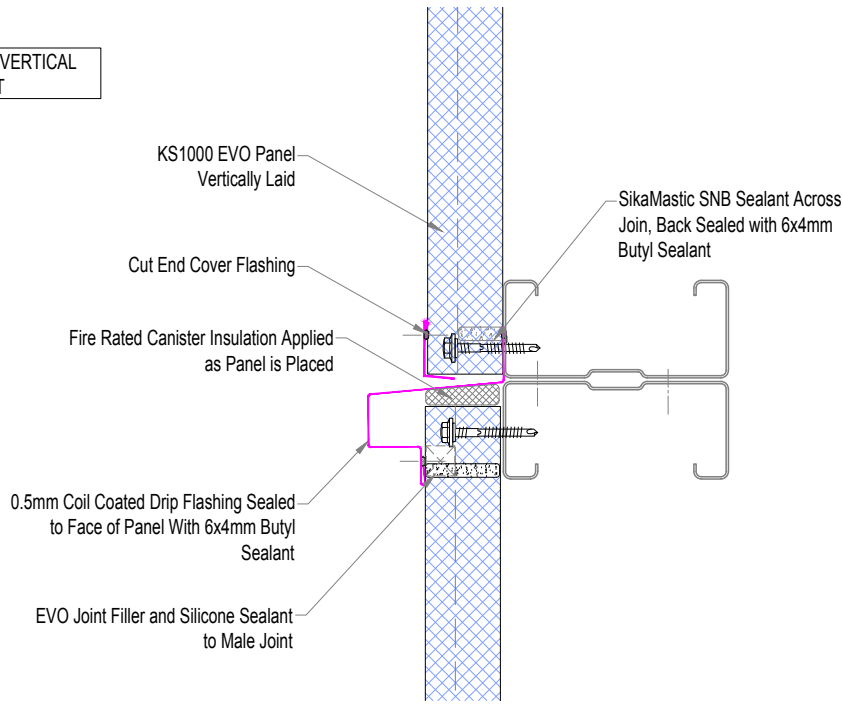
SYSTEM KS1000 EVO WALL VERTICAL_Q1 2019			
DESCRIPTION WALL VERTICAL SKILLION DETAIL			
APPROVED BY JS	DATE 18.03.19	REVISION -	
DRG REF: EVO_VS_16	SCALE 1:5	SHEET 1 of 1	PAPER SIZE A4

This document remains the property of Kingspan Ltd under copyright laws. Licence is granted to use this document and its contents in connection with Kingspan Ltd products only.  
©Kingspan Ltd

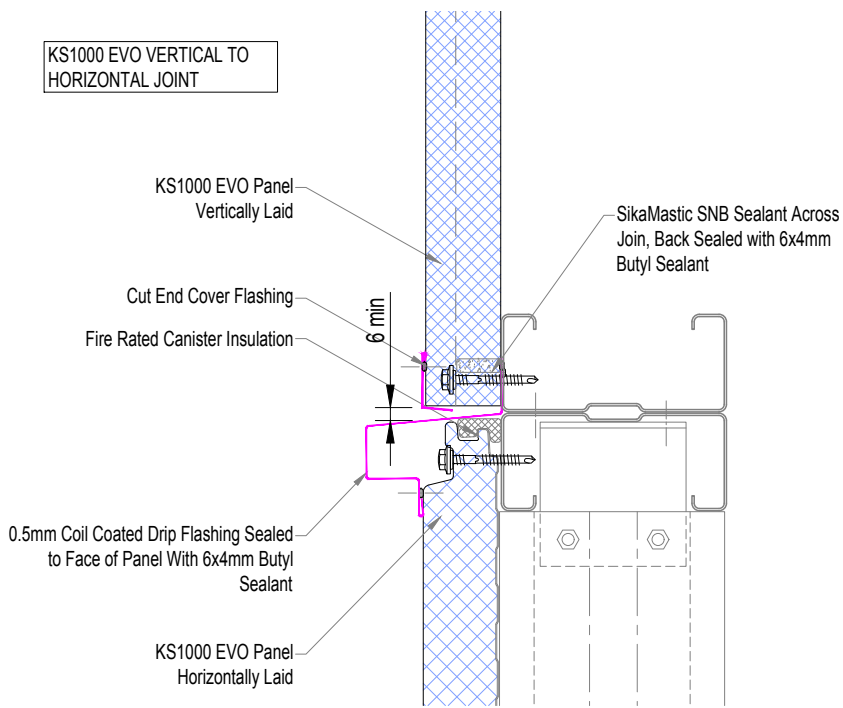
DO NOT SCALE. IF IN DOUBT ASK

New Zealand: Kingspan Ltd  
97 Montreal St  
Christchurch  
Tel: +64 (3) 260 5530  
Fax: +64 (3) 260 5539  
Freephone: 0800 121280  
email: info@kingspanpanels.co.nz  
www.kingspanpanels.co.nz

**KS1000 EVO VERTICAL  
STACK JOINT**



**KS1000 EVO VERTICAL TO  
HORIZONTAL JOINT**



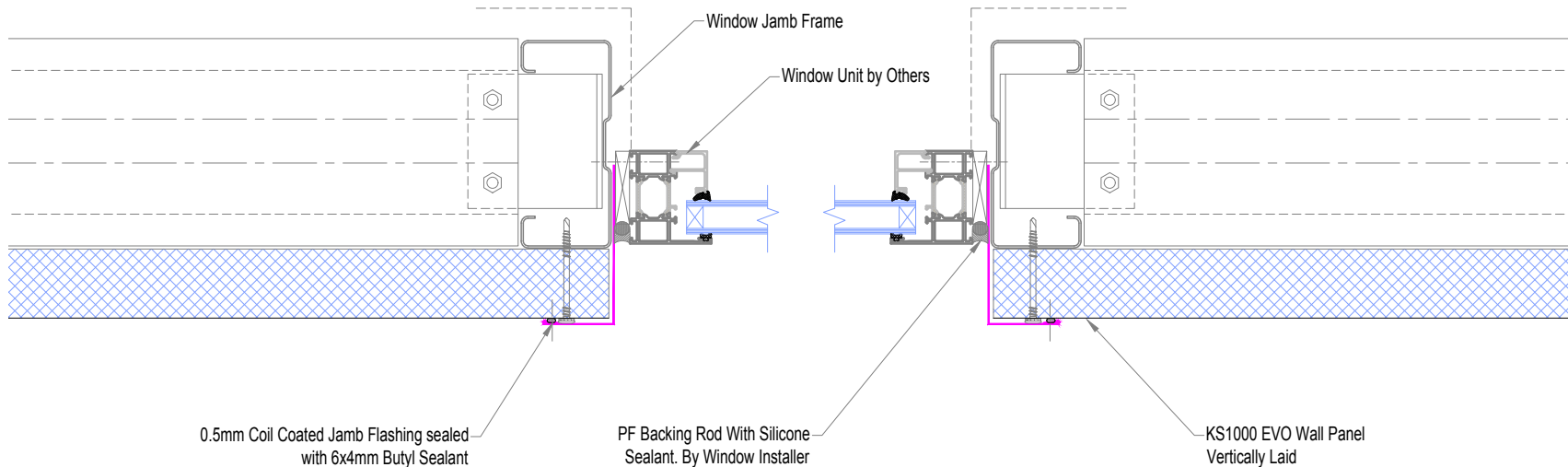
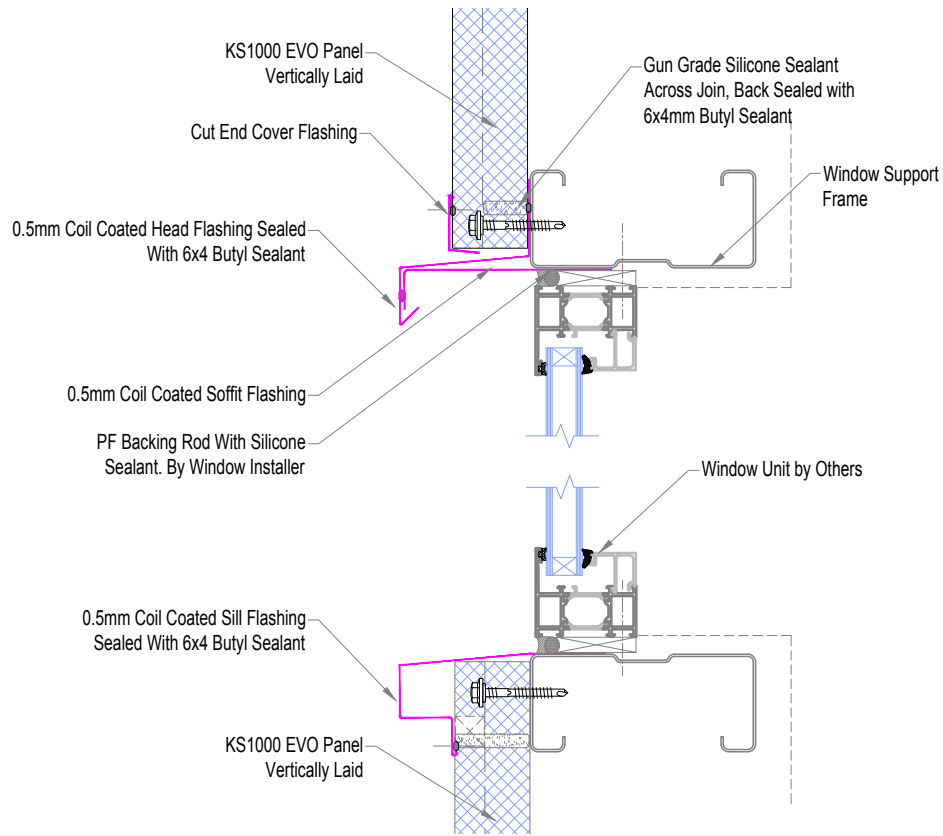
SYSTEM KS1000 EVO WALL VERTICAL_ Q1 2019			
DESCRIPTION WALL VERTICAL TO HORIZONTAL & VERTICAL STACK JOINT DETAIL			
APPROVED BY JS	DATE 18.03.19	REVISION -	
DRG REF: EVO_VS_17	SCALE 1:5	SHEET 1 of 1	PAPER SIZE A4

This document remains the property of Kingspan Ltd under copyright laws. Licence is granted to use this document and its contents in connection with Kingspan Ltd products only.  
©Kingspan Ltd

DO NOT SCALE. IF IN DOUBT ASK

New Zealand: Kingspan Ltd  
97 Montreal St  
Christchurch  
Tel: +64 (3) 260 5530  
Fax: +64 (3) 260 5539  
Freephone: 0800 121280  
email: info@kingspanpanels.co.nz  
www.kingspanpanels.co.nz



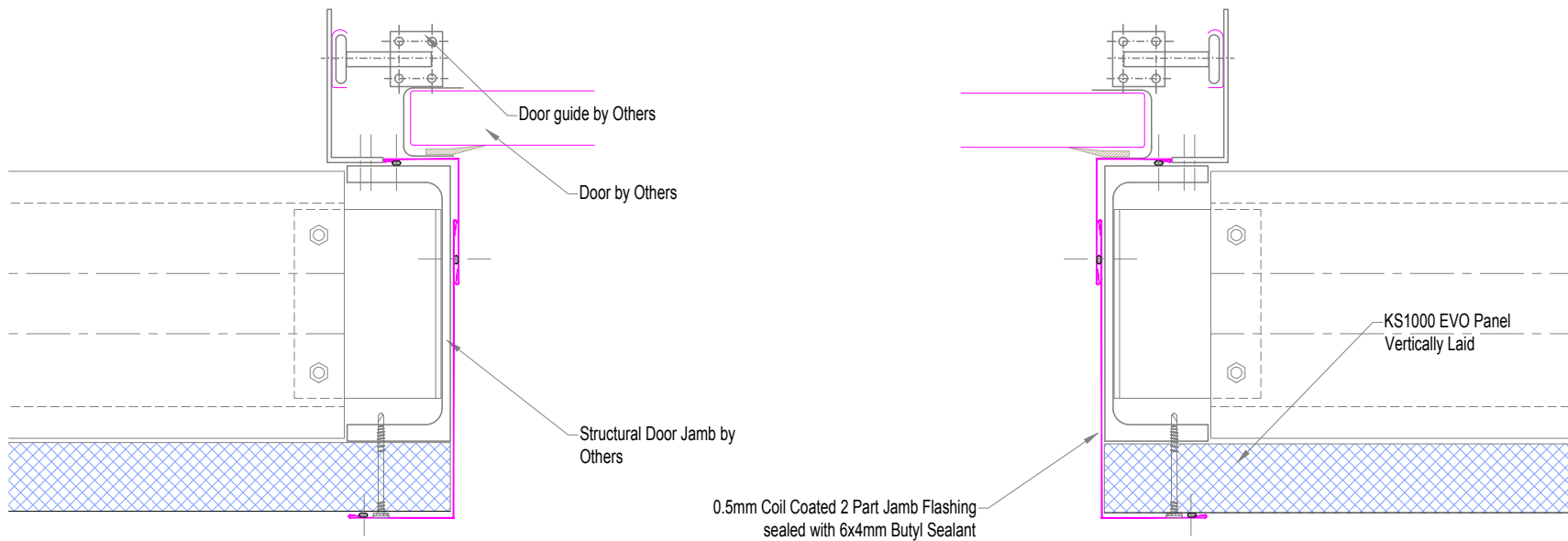
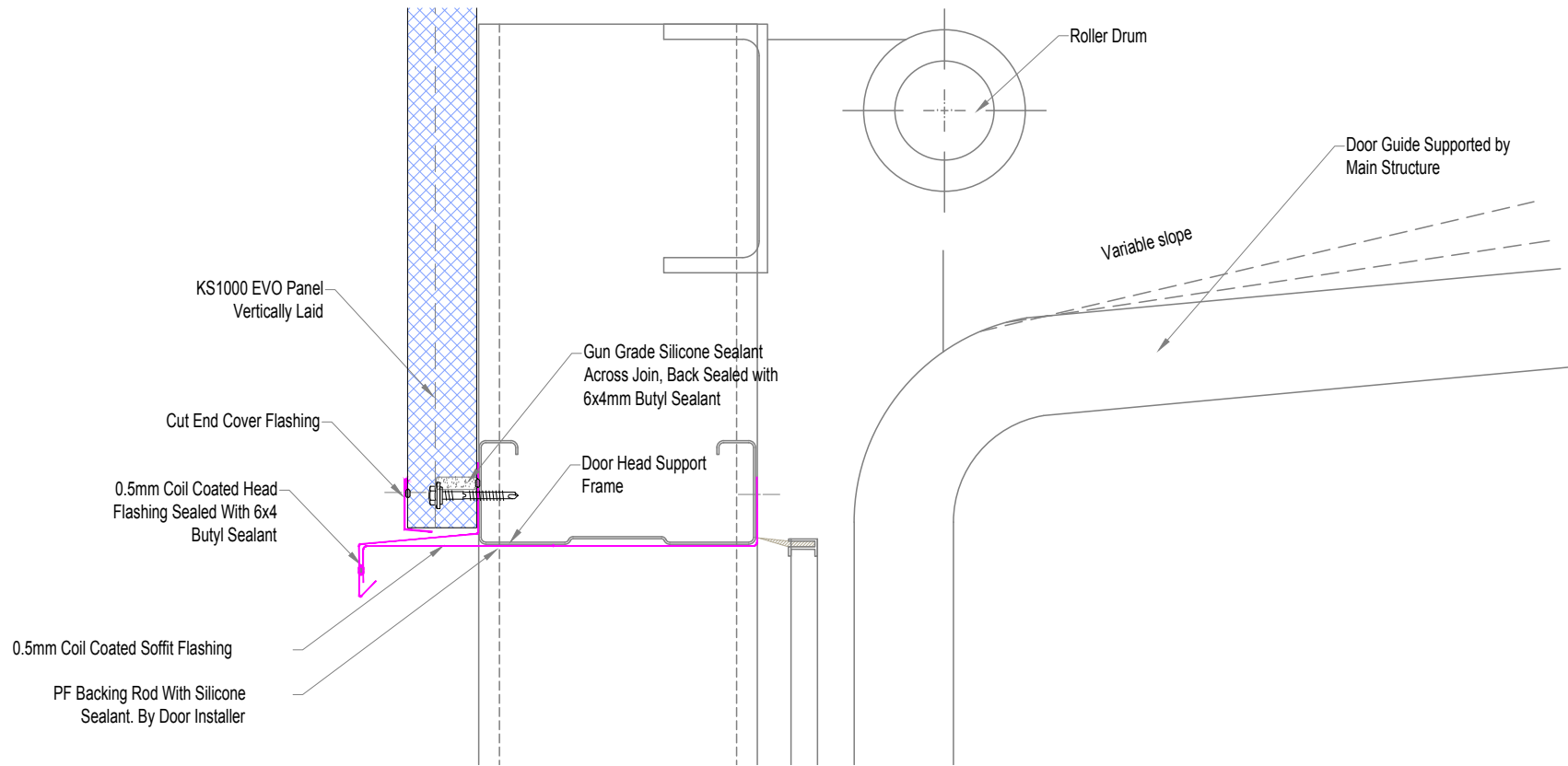


SYSTEM KS1000 EVO WALL VERTICAL_Q1 2019			
DESCRIPTION KS1000 EVO WALL VERTICAL WINDOW DETAIL			
APPROVED BY JS	DATE 18.03.19	REVISION -	
DRG REF: EVO_VS_20	SCALE 1:5	SHEET 1 of 1	PAPER SIZE A4

This document remains the property of Kingspan Ltd under copyright laws. Licence is granted to use this document and its contents in connection with Kingspan Ltd products only.  
©Kingspan Ltd

DO NOT SCALE. IF IN DOUBT ASK

New Zealand: Kingspan Ltd  
97 Montreal St  
Christchurch  
Tel: +64 (3) 260 5530  
Fax: +64 (3) 260 5539  
Freephone: 0800 121280  
email: info@kingspanpanels.co.nz  
www.kingspanpanels.co.nz

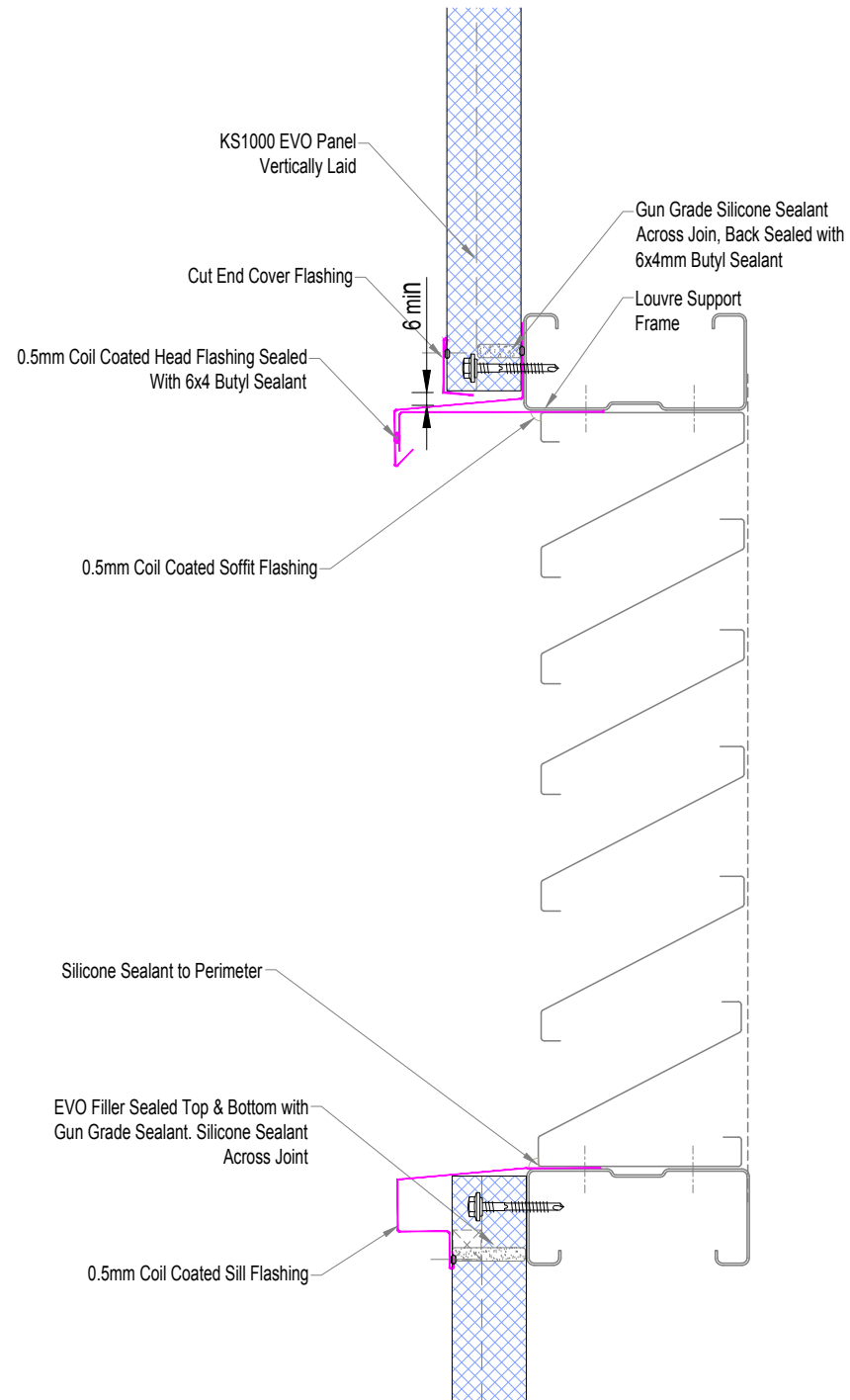


SYSTEM KS1000 EVO WALL VERTICAL_Q1 2019			
DESCRIPTION KS1000 EVO WALL VERTICAL OVER HEAD DOOR DETAIL			
APPROVED BY JS	DATE 18.03.19	REVISION -	
DRG REF: EVO_VS_21	SCALE 1:5	SHEET 1 of 1	PAPER SIZE A4

This document remains the property of Kingspan Ltd under copyright laws. Licence is granted to use this document and its contents in connection with Kingspan Ltd products only.  
©Kingspan Ltd

DO NOT SCALE. IF IN DOUBT ASK

New Zealand: Kingspan Ltd  
97 Montreal St  
Christchurch  
Tel: +64 (3) 260 5530  
Fax: +64 (3) 260 5539  
Freephone: 0800 121280  
email: info@kingspanpanels.co.nz  
www.kingspanpanels.co.nz



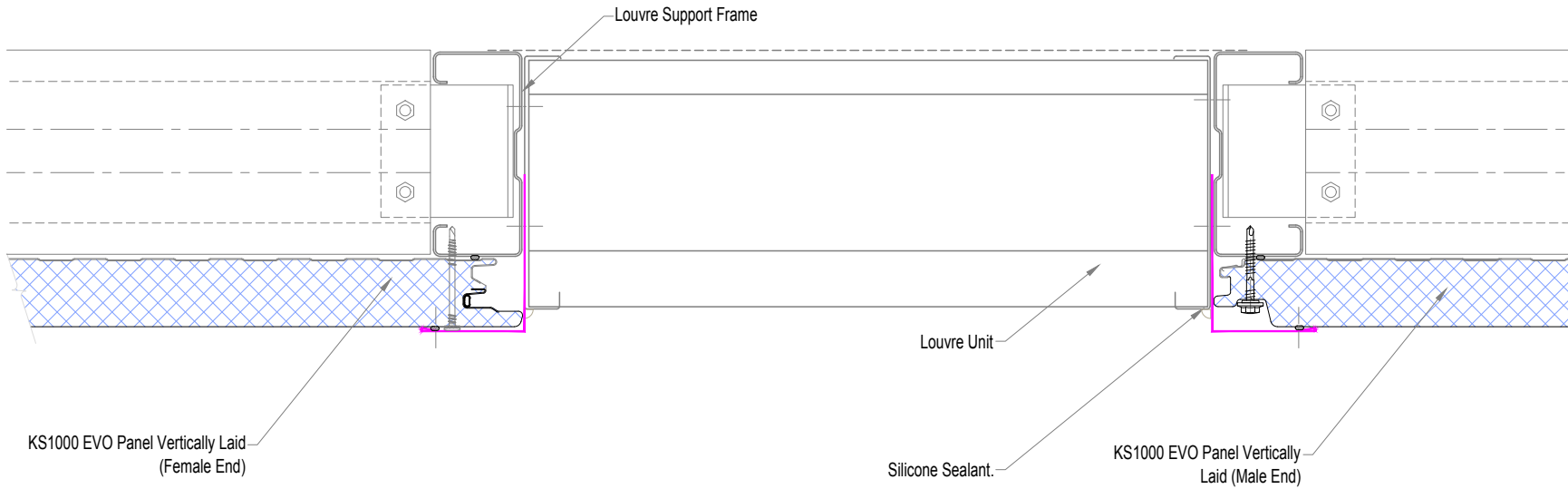
SYSTEM KS1000 EVO WALL VERTICAL_ Q1 2019			
DESCRIPTION WALL VERTICAL LOUVRE DETAIL (VERT SECTION)			
APPROVED BY JS	DATE 18.03.19	REVISION -	
DRG REF: EVO_VS_22	SCALE 1:3	SHEET 1 of 1	PAPER SIZE A4

This document remains the property of Kingspan Ltd under copyright laws. Licence is granted to use this document and its contents in connection with Kingspan Ltd products only.  
©Kingspan Ltd

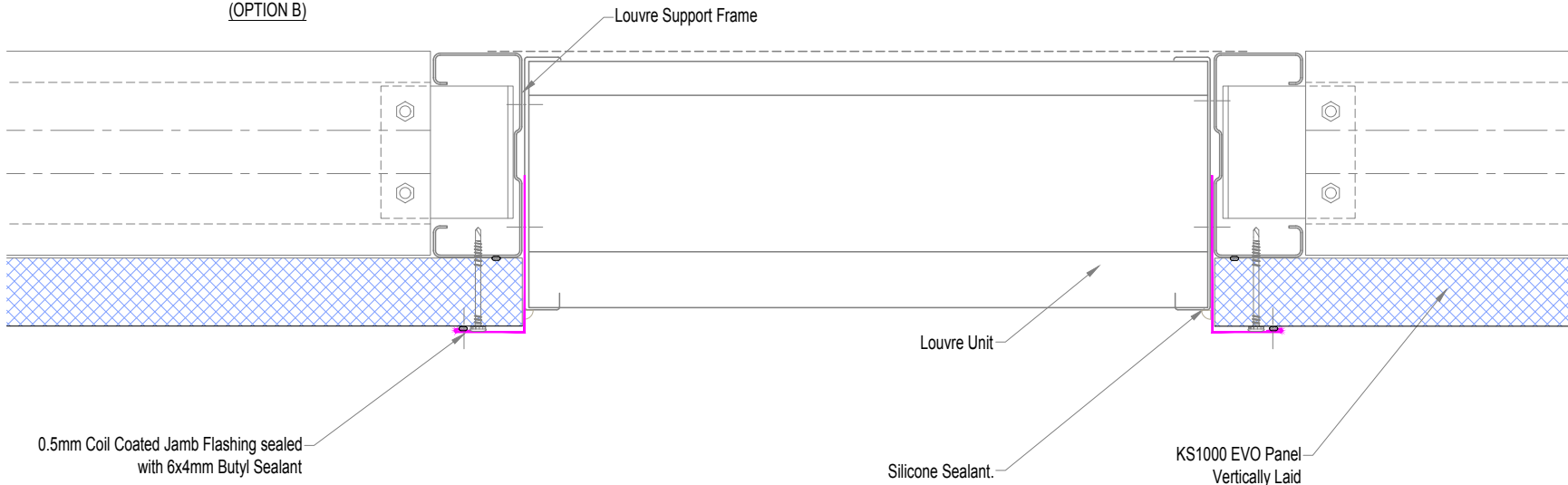
DO NOT SCALE. IF IN DOUBT ASK

New Zealand: Kingspan Ltd  
97 Montreal St  
Christchurch  
Tel: +64 (3) 260 5530  
Fax: +64 (3) 260 5539  
Freephone: 0800 121280  
email: info@kingspanpanels.co.nz  
www.kingspanpanels.co.nz

(OPTION A)



(OPTION B)



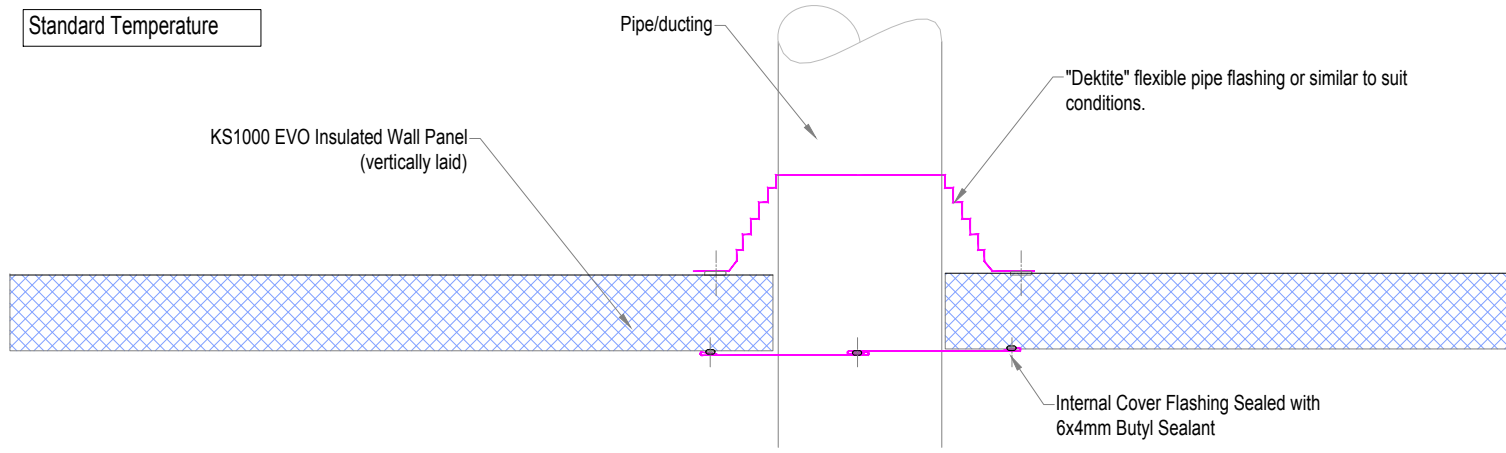
SYSTEM KS1000 EVO WALL VERTICAL_Q1 2019			
DESCRIPTION WALL VERTICAL LOUVRE DETAIL (HORIZ. SECTIONS)			
APPROVED BY JS	DATE 18.03.19	REVISION -	
DRG REF: EVO_VS_23	SCALE 1:3	SHEET 1 of 1	PAPER SIZE A4

This document remains the property of Kingspan Ltd under copyright laws. Licence is granted to use this document and its contents in connection with Kingspan Ltd products only.  
©Kingspan Ltd

DO NOT SCALE. IF IN DOUBT ASK

New Zealand: Kingspan Ltd  
97 Montreal St  
Christchurch  
Tel: +64 (3) 260 5530  
Fax: +64 (3) 260 5539  
Freephone: 0800 121280  
email: info@kingspanpanels.co.nz  
www.kingspanpanels.co.nz

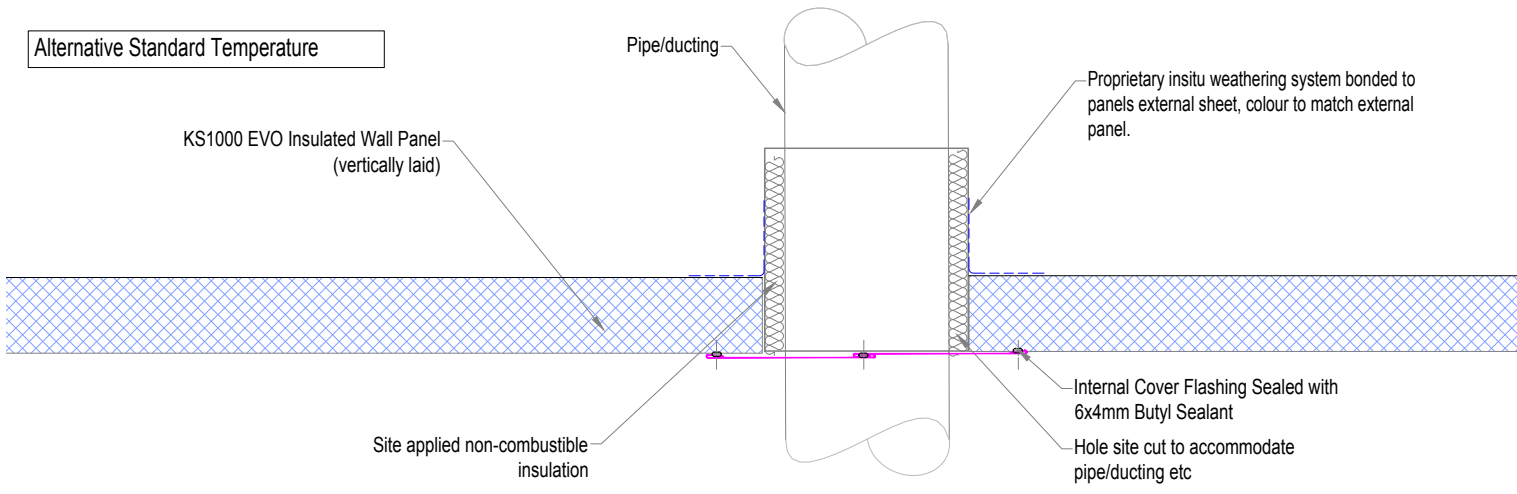
Standard Temperature



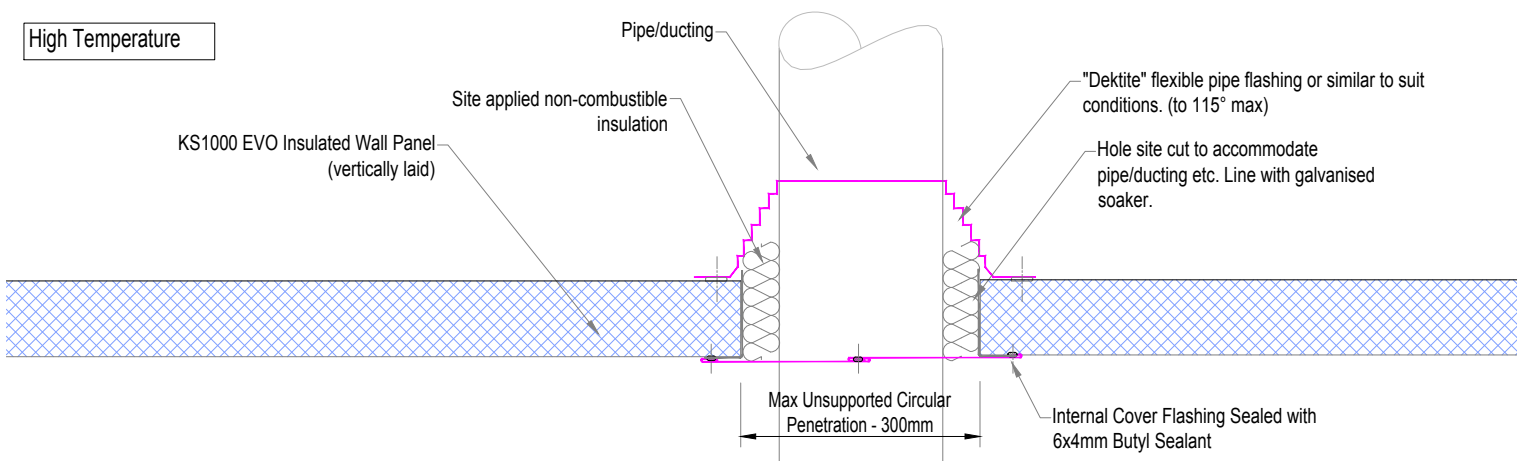
Note: Maximum circular hole size to be 300mm. Penetrations greater will require additional supporting steel.

Flexible pipe flashing provides a completely weatherproof solution for pipe openings through a wall. They can be moulded by hand to suit the sheet profile, bedded in weather sealant & fixed to the wall sheet.

Alternative Standard Temperature



High Temperature



SYSTEM KS1000 EVO WALL VERTICAL_Q1 2019			
DESCRIPTION WALL VERTICAL PENETRATION DETAIL			
APPROVED BY JS	DATE 18.03.19	REVISION -	
DRG REF: EVO_VS_24	SCALE 1:5	SHEET 1 of 1	PAPER SIZE A4

This document remains the property of Kingspan Ltd under copyright laws. Licence is granted to use this document and its contents in connection with Kingspan Ltd products only.  
©Kingspan Ltd

DO NOT SCALE. IF IN DOUBT ASK

New Zealand: Kingspan Ltd  
97 Montreal St  
Christchurch  
Tel: +64 (3) 260 5530  
Fax: +64 (3) 260 5539  
Freephone: 0800 121280  
email: info@kingspanpanels.co.nz  
www.kingspanpanels.co.nz