

DRAWING LIST

| KS1000 EVO HORIZONTALLY LAID | | | | | |
|------------------------------|--|-------------|------|----------|----------|
| DATE | DRAWING TITLE | DRG_REF | APPR | REVISION | SHEET |
| 18.03.19 | DRAWING LIST | EVO_HS_00 | JS | - | 1 of 41 |
| 18.03.19 | EVOLUTION AXIS WALL PROFILE | EVO_HS_01 | JS | - | 2 of 41 |
| 18.03.19 | EVOLUTION MULTI-GROOVE WALL PROFILE | EVO_HS_02 | JS | - | 3 of 41 |
| 18.03.19 | EVOLUTION RECESS PROFILE | EVO_HS_03 | JS | - | 4 of 41 |
| 18.03.19 | EVOLUTION AXIS / MULTI-GROOVE WALL HORIZONTAL FIXING | EVO_HS_04 | JS | - | 5 of 41 |
| 18.03.19 | EVO WALL HORIZONTAL SHEETING SUPPORTS | EVO_HS_05 | JS | - | 6 of 41 |
| 18.03.19 | EVO WALL BASE (PANEL BEARER) | EVO_HS_06 | JS | - | 7 of 41 |
| 18.03.19 | EVO WALL BASE CHANNEL DETAIL | EVO_HS_06a | JS | - | 8 of 41 |
| 18.03.19 | EVO BASE SUPPORT 3 | EVO_HS_07 | JS | - | 9 of 41 |
| 18.03.19 | EVO WALL - EXTERNAL CORNER | EVO_HS_08 | JS | - | 10 of 41 |
| 18.03.19 | EXTERNAL PRE-FORMED CORNER | EVO_HS_08a | JS | - | 11 of 41 |
| 18.03.19 | EVO WALL - INTERNAL CORNER | EVO_HS_09 | JS | - | 12 of 41 |
| 18.03.19 | EVO WALL PREFORMED CORNER DETAIL (ISOMETRIC) | EVO_HS_08b | JS | - | 13 of 41 |
| 18.03.19 | EVO WALL TOP HAT JOIN SINGLE FIXING (PLAN) | EVO_HS_10 | JS | - | 14 of 41 |
| 18.03.19 | EVO WALL TOP HAT JOIN SEAL DETAIL | EVO_HS_11 | JS | - | 15 of 41 |
| 18.03.19 | EVO LONGSPAN TOPHAT DETAIL TO UC COLUMN | EVO_HS_11a | JS | - | 16 of 41 |
| 18.03.19 | EVOLUTION RECESS TOPHAT DETAIL TO RHS COLUMN | EVO_HS_11b | JS | - | 17 of 41 |
| 18.03.19 | EVO WALL FACE ALIGNED WITH CONCRETE | EVO_HS_12 | JS | - | 18 of 41 |
| 18.03.19 | EVO WALL FACE FIXED OVER CONCRETE | EVO_HS_13 | JS | - | 19 of 41 |
| 18.03.19 | EVO WALL EAVES GUTTER | EVO_HS_14 | JS | - | 20 of 41 |
| 18.03.19 | OVERHANGING EAVES GUTTER | EVO_HS_15 | JS | - | 21 of 41 |
| 18.03.19 | EVO WALL PARAPET GUTTER | EVO_HS_16 | JS | - | 22 of 41 |
| 18.03.19 | EVO WALL PARAPET VERGE | EVO_HS_17 | JS | - | 23 of 41 |
| 18.03.19 | PARAPET VERGE WITH PANEL BEARER | EVO_HS_18 | JS | - | 24 of 41 |
| 18.03.19 | EVO WALL VERGE DETAIL (RW MALE EDGE) | EVO_HS_19 | JS | - | 25 of 41 |
| 18.03.19 | EVO WALL VERGE DETAIL (RW FEMALE EDGE) | EVO_HS_20 | JS | - | 26 of 41 |
| 18.03.19 | EVO WALL SKILLION DETAIL (PANEL BEARER) | EVO_HS_21 | JS | - | 27 of 41 |
| 18.03.19 | KS1000 EVO WALL HORIZONTAL TO VERTICAL STACK JOINT DETAIL (PANEL BEARER) | EVO_HS_22 | JS | - | 28 of 41 |
| 18.03.19 | KS1000 EVO WALL SEISMIC JOINT DETAIL | EVO_HS_22 a | JS | - | 29 of 41 |
| 18.03.19 | EVO WALL: INTEGRATED HORIZONTAL WINDOW DETAIL - 50mm ONLY (VERTICAL SECTION) | EVO_HS_23 | JS | - | 30 of 41 |
| 18.03.19 | EVO WALL PANEL: INTEGRATED HORIZONTAL WINDOW SECTION DETAIL - 50mm ONLY | EVO_HS_23a | JS | - | 31 of 41 |
| 18.03.19 | SITE CUT PANEL DETAIL | EVO_HS_24 | JS | - | 32 of 41 |
| 18.03.19 | EVO WALL WINDOW DETAIL (Base Channel) | EVO_HS_25 | JS | - | 33 of 41 |
| 18.03.19 | EVO WALL WINDOW DETAIL (horizontal section) | EVO_HS_25a | JS | - | 34 of 41 |
| 18.03.19 | EVO WALL PERSONNEL DOOR DETAIL (PANEL BEARER) | EVO_HS_26 | JS | - | 35 of 41 |
| 18.03.19 | EVO WALL OVER HEAD DOOR DETAIL (Panel Bearer) | EVO_HS_27 | JS | - | 36 of 41 |
| 18.03.19 | EVO WALL INTEGRATED LOUVRE DETAIL | EVO_HS_28 | JS | - | 37 of 41 |
| 18.03.19 | EVO WALL PENETRATION DETAIL | EVO_HS_29 | JS | - | 38 of 41 |
| 18.03.19 | EVO WALL BASE CHANNEL SUPPORT DETAIL | EVO_HS_30 | JS | - | 39 of 41 |
| 18.03.19 | EVO WALL PANEL BEARER DETAIL | EVO_HS_30a | JS | - | 40 of 41 |
| 18.03.19 | EVO WALL RECESSED WASHER DETAIL (RECW09G) | EVO_HS_31 | JS | - | 41 of 41 |

| | | | |
|--|------------------|---------------|------------------|
| SYSTEM KS1000 EVO WALL HORIZONTAL_Q1 2019 | | | |
| DESCRIPTION DRAWING LIST | | | |
| APPROVED BY JS | DATE 18.03.19 | REVISION - | |
| DRG REF: EVO_HS_00 | SCALE 1 | SHEET 1 | PAPER SIZE A4 |

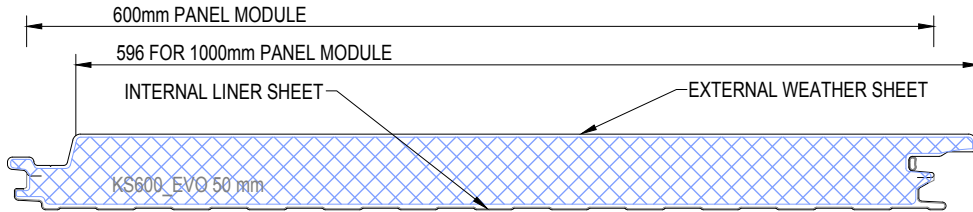
This document remains the property of Kingspan Ltd under copyright laws. Licence is granted to use this document and its contents in connection with Kingspan Ltd products only.
©Kingspan Ltd

DO NOT SCALE. IF IN DOUBT ASK

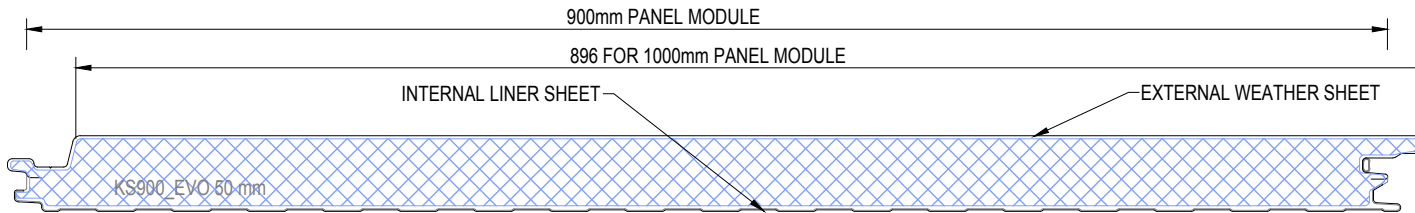
| | |
|---|--|
| <p>New Zealand: Kingspan Ltd 97 Montreal St Christchurch Tel: +64 (3) 260 5530 Fax: +64 (3) 260 5539 Freephone: 0800 121280 email: info@kingspanpanels.co.nz www.kingspanpanels.co.nz</p> |  <p>Kingspan. Insulated Panels</p> |
|---|--|

EVOLUTION AXIS WALL PROFILE

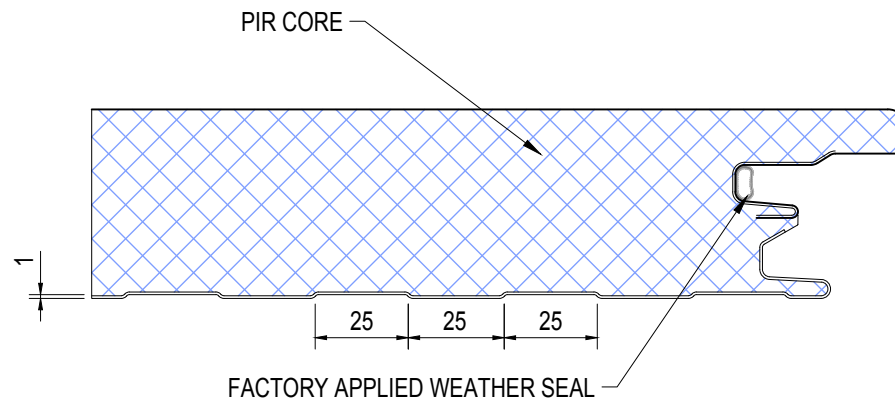
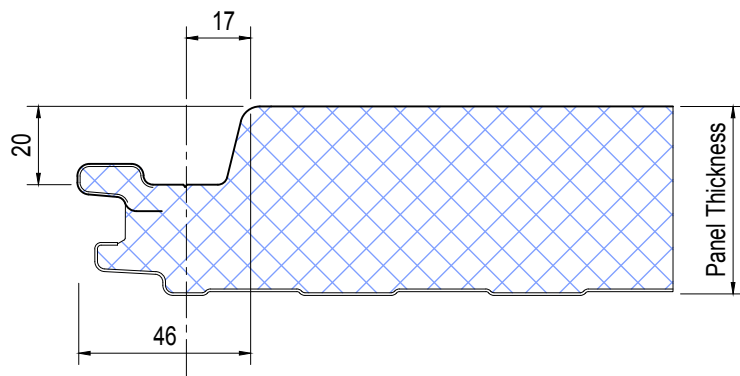
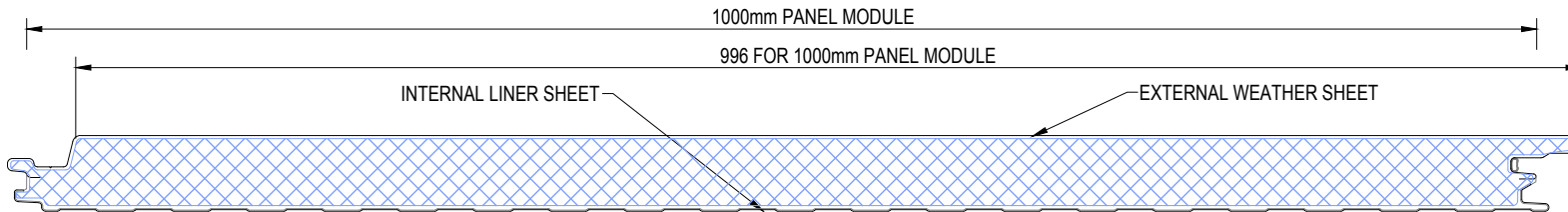
KS 600 EVOLUTION AXIS PANEL PROFILE



KS 900 EVOLUTION AXIS PANEL PROFILE



KS1000 EVOLUTION AXIS PANEL PROFILE



| AVAILABLE PANEL THICKNESSES |
|-----------------------------|
| 50 |
| 80 |
| 100 |
| 140 |

NOTE: DIMENSIONS ARE NOMINAL, ACTUAL DIMENSIONS WILL VARY DUE TO MANUFACTURING TOLERANCES. PRECISE DIMENSIONS MUST ALWAYS BE MEASURED FROM ACTUAL SAMPLES ALL DIMENSIONS IN MILLIMETRES.

| | | | |
|--|------------------|---------------|------------------|
| SYSTEM KS1000 EVO WALL HORIZONTAL_Q1 2019 | | | |
| DESCRIPTION EVOLUTION AXIS WALL PROFILE | | | |
| APPROVED BY JS | DATE 18.03.19 | REVISION - | |
| DRG REF: EVO_HS_01 | SCALE 1:5 | SHEET 2 | PAPER SIZE A4 |

This document remains the property of Kingspan Ltd under copyright laws. Licence is granted to use this document and its contents in connection with Kingspan Ltd products only.
©Kingspan Ltd

DO NOT SCALE. IF IN DOUBT ASK

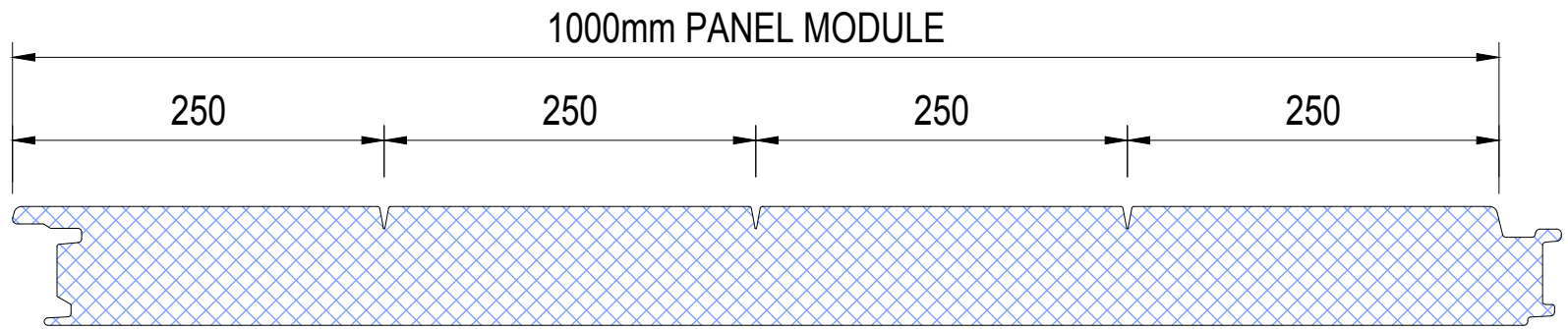
New Zealand: Kingspan Ltd
97 Montreal St
Christchurch
Tel: +64 (3) 260 5530
Fax: +64 (3) 260 5539
Freephone: 0800 121280
email: info@kingspanpanels.co.nz
www.kingspanpanels.co.nz



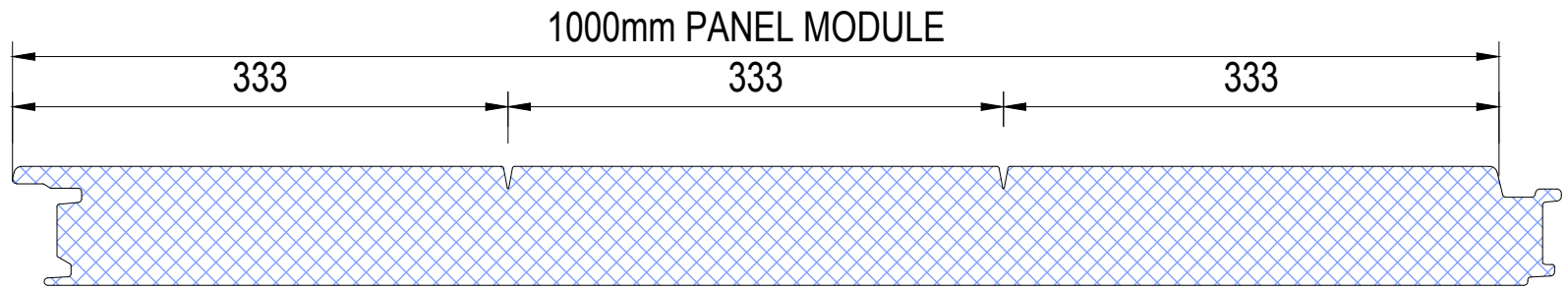
EVOLUTION MULTI-GROOVE WALL PROFILE

| |
|-----------------------------|
| AVAILABLE PANEL THICKNESSES |
| INSULATION CORE |
| 50 |
| 80 |
| 100 |
| 140 |

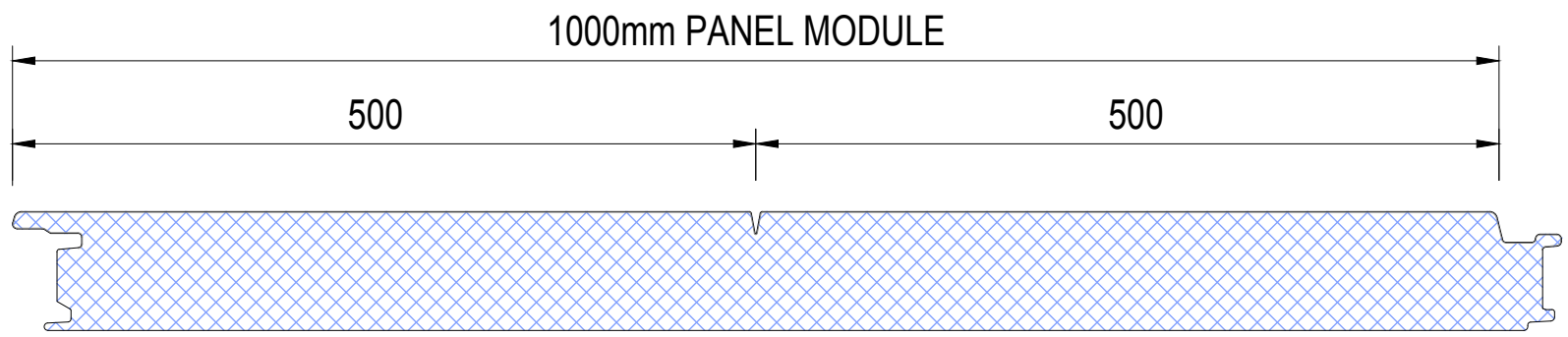
NOTE: DIMENSIONS ARE NOMINAL. ACTUAL DIMENSIONS WILL VARY DUE TO MANUFACTURING TOLERANCES. PRECISE DIMENSIONS MUST ALWAYS BE MEASURED FROM ACTUAL SAMPLES. ALL DIMENSIONS IN MILLIMETRES.



MULTI-GROOVE PANEL PROFILE - 3 GROOVES



MULTI-GROOVE PANEL PROFILE - 2 GROOVES



MULTI-GROOVE PANEL PROFILE - 1 GROOVE

| | | | |
|--|------------------|---------------|------------------|
| SYSTEM KS1000 EVO WALL HORIZONTAL_Q1 2019 | | | |
| DESCRIPTION EVOLUTION MULTI-GROOVE WALL PROFILE | | | |
| APPROVED BY JS | DATE 18.03.19 | REVISION - | |
| DRG REF: EVO_HS_02 | SCALE 1:5 | SHEET 3 | PAPER SIZE A4 |

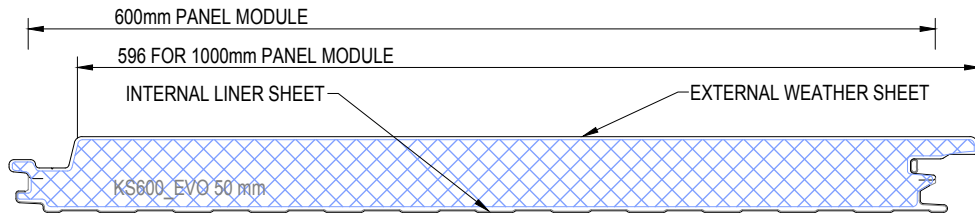
This document remains the property of Kingspan Ltd under copyright laws. Licence is granted to use this document and its contents in connection with Kingspan Ltd products only.
©Kingspan Ltd

DO NOT SCALE. IF IN DOUBT ASK

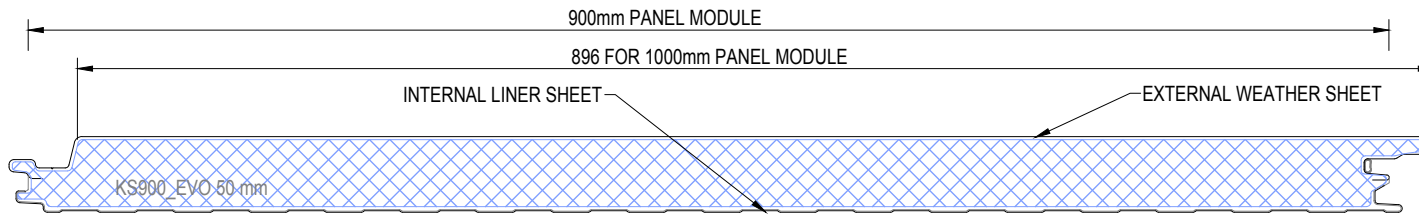
| | |
|---|--|
| <p>New Zealand: Kingspan Ltd 97 Montreal St Christchurch Tel: +64 (3) 260 5530 Fax: +64 (3) 260 5539 Freephone: 0800 121280 email: info@kingspanpanels.co.nz www.kingspanpanels.co.nz</p> | |
|---|--|

EVOLUTION RECESS PROFILE

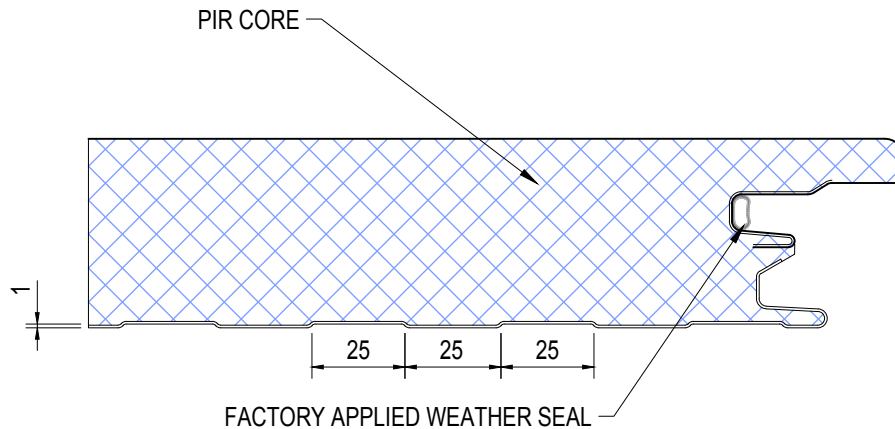
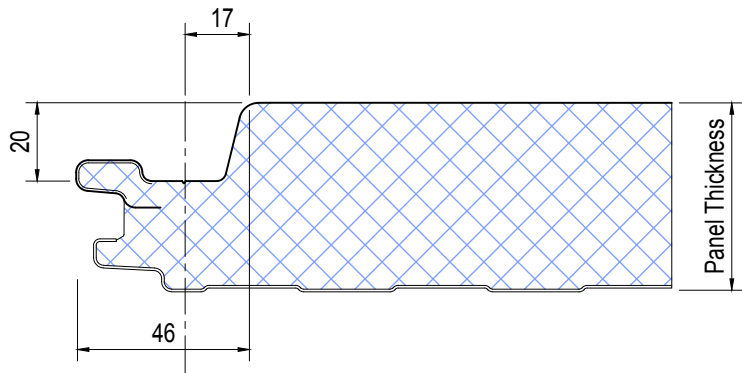
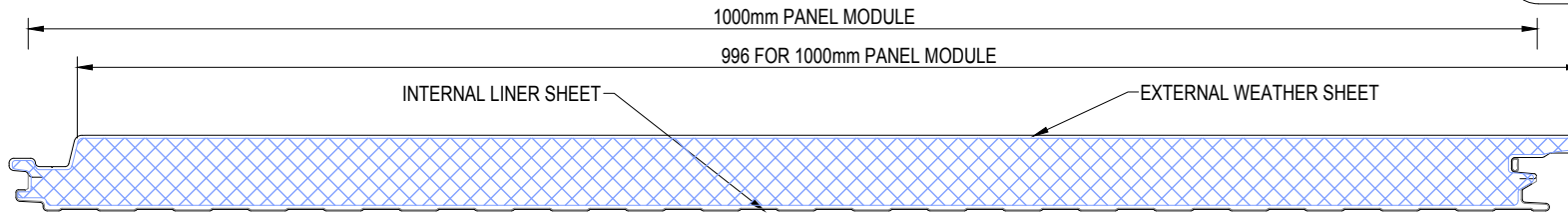
KS 600 EVOLUTION RECESS PANEL PROFILE



KS 900 EVOLUTION RECESS PANEL PROFILE



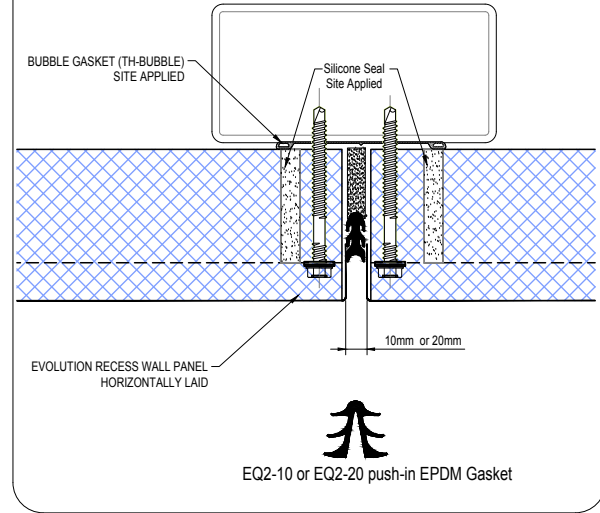
KS1000 EVOLUTION RECESS PANEL PROFILE



| AVAILABLE PANEL THICKNESSES |
|-----------------------------|
| 50 |
| 80 |
| 100 |
| 140 |

NOTE: DIMENSIONS ARE NOMINAL, ACTUAL DIMENSIONS WILL VARY DUE TO MANUFACTURING TOLERANCES. PRECISE DIMENSIONS MUST ALWAYS BE MEASURED FROM ACTUAL SAMPLES. ALL DIMENSIONS IN MILLIMETRES.

EVOLUTION RECESS - VERTICAL JOINT FIXING & SEALS



| | | | |
|--|------------------|---------------|------------------|
| SYSTEM KS1000 EVO WALL HORIZONTAL_Q1 2019 | | | |
| DESCRIPTION EVOLUTION RECESS PROFILE | | | |
| APPROVED BY JS | DATE 18.03.19 | REVISION - | |
| DRG REF: EVO_HS_03 | SCALE 1:5 | SHEET 4 | PAPER SIZE A4 |

This document remains the property of Kingspan Ltd under copyright laws. Licence is granted to use this document and its contents in connection with Kingspan Ltd products only.
©Kingspan Ltd

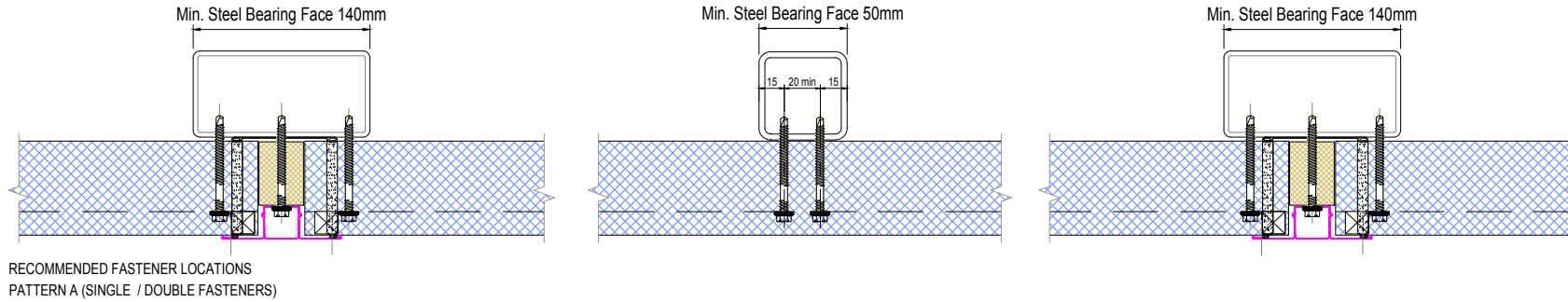
DO NOT SCALE. IF IN DOUBT ASK

New Zealand: Kingspan Ltd
97 Montreal St
Christchurch
Tel: +64 (3) 260 5530
Fax: +64 (3) 260 5539
Freephone: 0800 121280
email: info@kingspanpanels.co.nz
www.kingspanpanels.co.nz

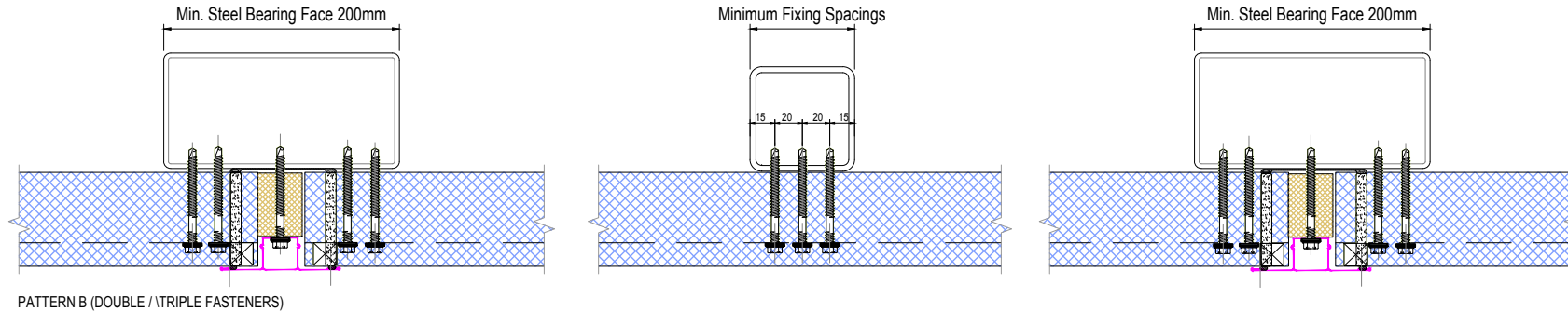


EVOLUTION AXIS / MULTI-GROOVE WALL HORIZONTAL FIXING

STANDARD WIND LOADS



HIGH WIND LOADS



NOTE: FASTENER NUMBER LOCATIONS & SPANS DEPEND ON THE ACTUAL SUCTION / OUTWARD LOADS. CHECK LOCALISED LOADS

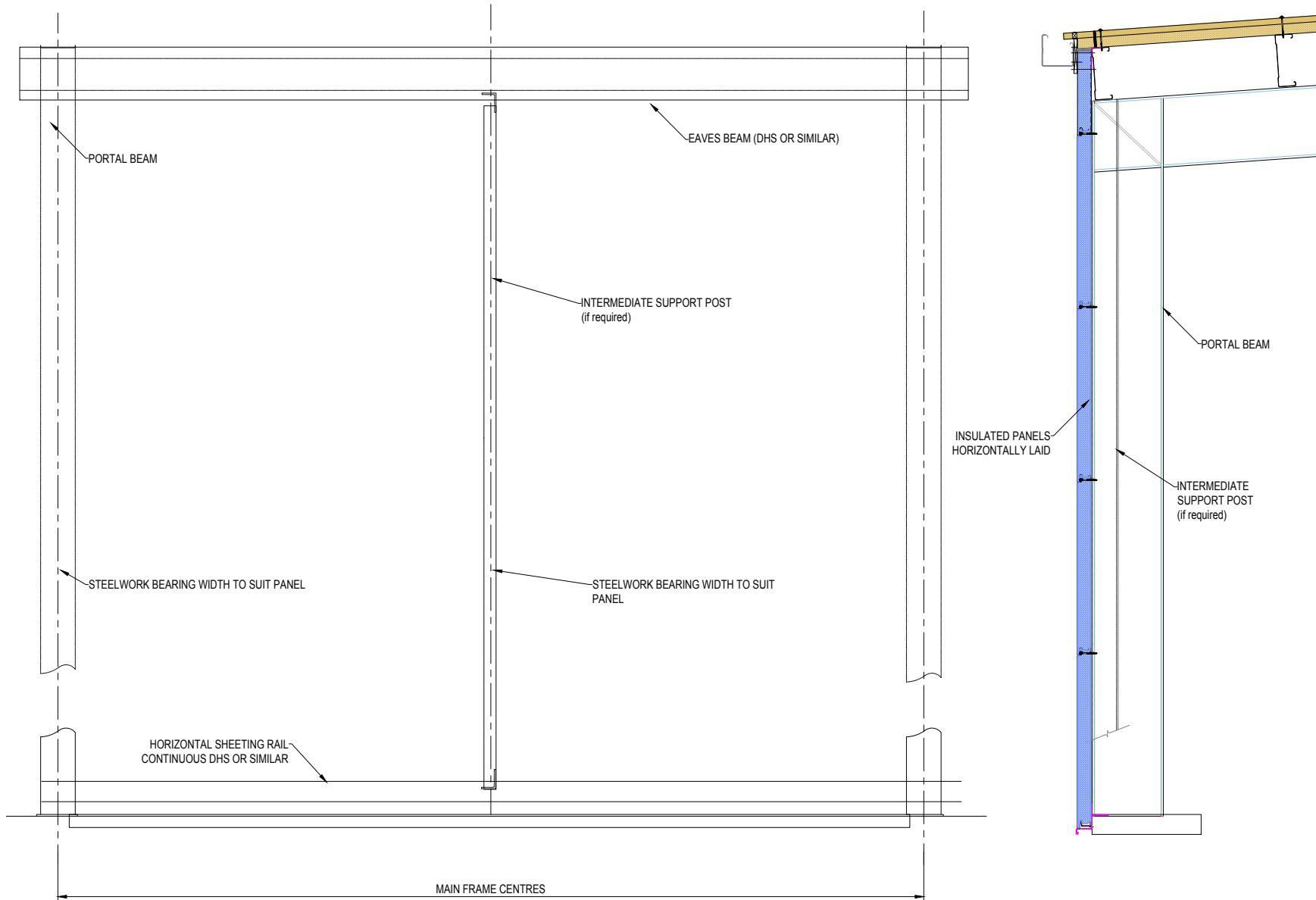
| | | | |
|--|------------------|---------------|------------------|
| SYSTEM KS1000 EVO WALL HORIZONTAL_Q1 2019 | | | |
| DESCRIPTION EVOLUTION AXIS / MULTI-GROOVE WALL HORIZONTAL FIXING | | | |
| APPROVED BY JS | DATE 18.03.19 | REVISION - | |
| DRG REF: EVO_HS_04 | SCALE nts | SHEET 5 | PAPER SIZE A4 |

This document remains the property of Kingspan Ltd under copyright laws. Licence is granted to use this document and its contents in connection with Kingspan Ltd products only.
©Kingspan Ltd

DO NOT SCALE. IF IN DOUBT ASK

New Zealand: Kingspan Ltd
97 Montreal St
Christchurch
Tel: +64 (3) 260 5530
Fax: +64 (3) 260 5539
Freephone: 0800 121280
email: info@kingspanpanels.co.nz
www.kingspanpanels.co.nz

EVO WALL HORIZONTAL SHEETING SUPPORTS



| | | | |
|--|------------------|---------------|------------------|
| SYSTEM KS1000 EVO WALL HORIZONTAL_Q1 2019 | | | |
| DESCRIPTION EVO WALL HORIZONTAL SHEETING SUPPORTS | | | |
| APPROVED BY JS | DATE 18.03.19 | REVISION - | |
| DRG REF: EVO_HS_05 | SCALE NTS | SHEET 6 | PAPER SIZE A4 |

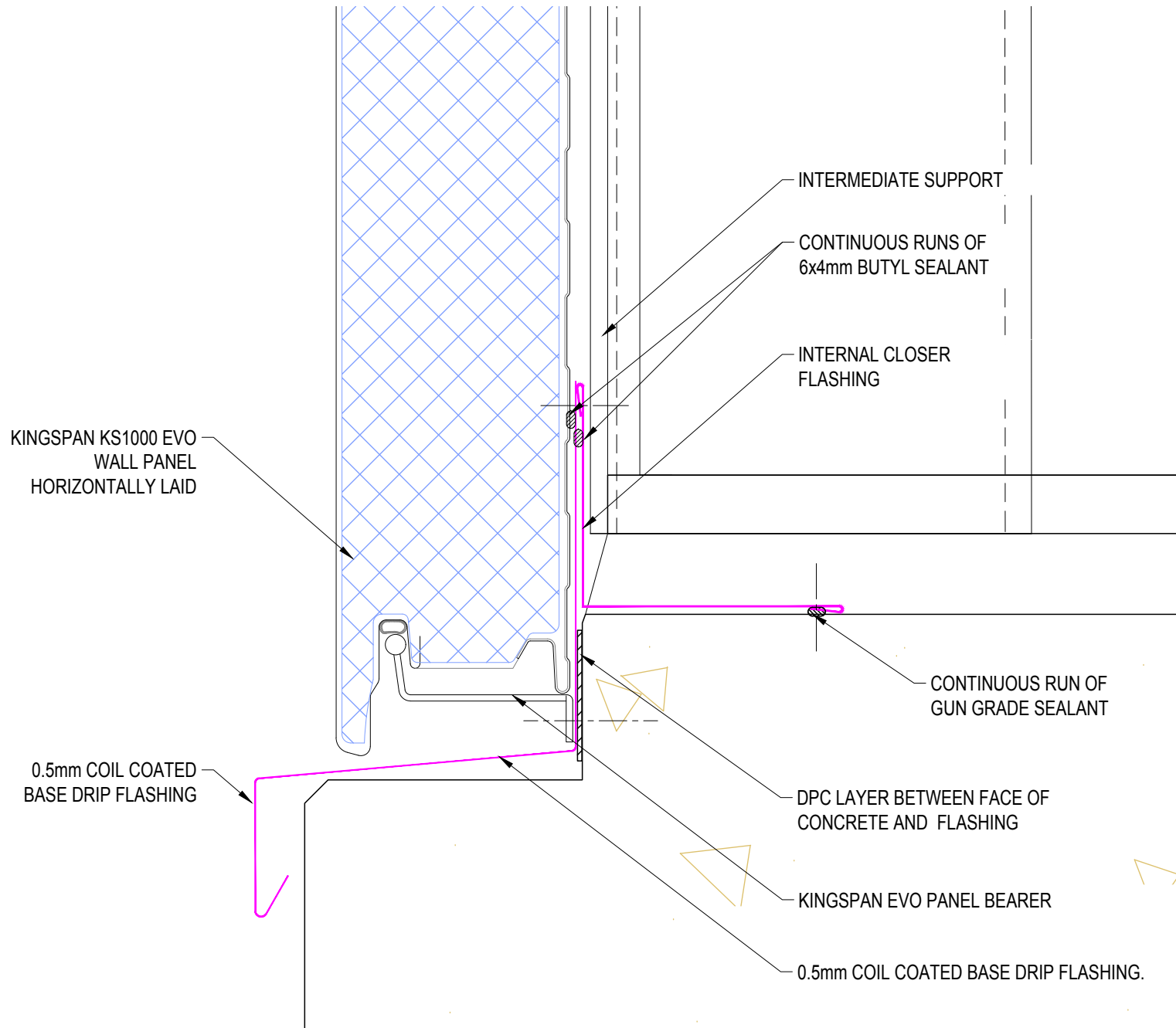
This document remains the property of Kingspan Ltd under copyright laws. Licence is granted to use this document and its contents in connection with Kingspan Ltd products only.
©Kingspan Ltd

DO NOT SCALE. IF IN DOUBT ASK

New Zealand: Kingspan Ltd
97 Montreal St
Christchurch
Tel: +64 (3) 260 5530
Fax: +64 (3) 260 5539
Freephone: 0800 121280
email: info@kingspanpanels.co.nz
www.kingspanpanels.co.nz



EVO WALL BASE (PANEL BEARER)

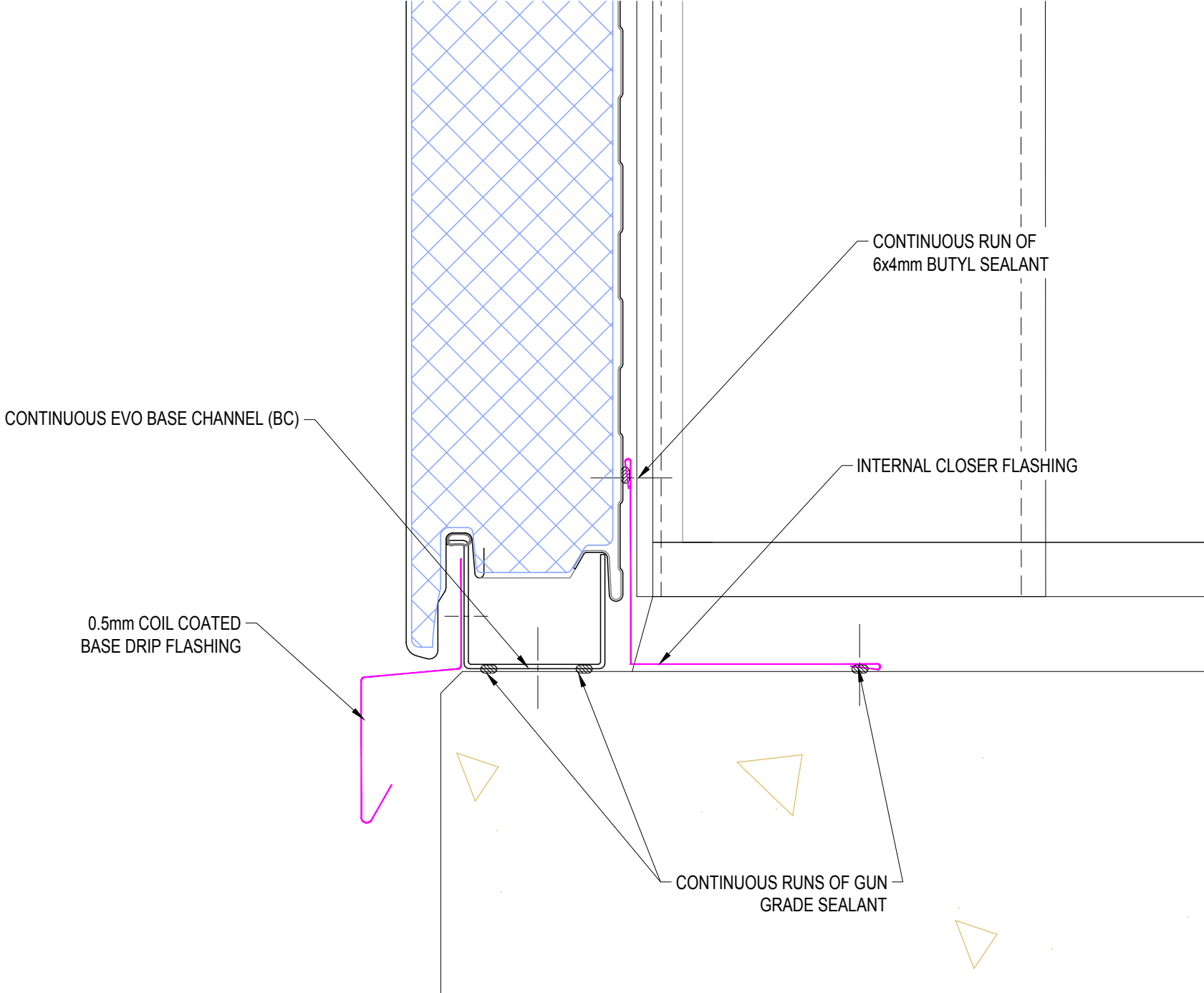


| | | | |
|---|-------------------------|----------------------|-------------------------|
| SYSTEM KS1000 EVO WALL HORIZONTAL_ Q1 2019 | | | |
| DESCRIPTION EVO WALL BASE (PANEL BEARER) | | | |
| APPROVED BY JS | DATE 18.03.19 | REVISION - | |
| DRG REF: EVO_HS_06 | SCALE 1:2 | SHEET 7 | PAPER SIZE A4 |
| This document remains the property of Kingspan Ltd under copyright laws. Licence is granted to use this document and its contents in connection with Kingspan Ltd products only. ©Kingspan Ltd | | | |

DO NOT SCALE. IF IN DOUBT ASK

New Zealand: Kingspan Ltd
 97 Montreal St
 Christchurch
 Tel: +64 (3) 260 5530
 Fax: +64 (3) 260 5539
 Freephone: 0800 121280
 email: info@kingspanpanels.co.nz
 www.kingspanpanels.co.nz

EVO WALL BASE CHANNEL DETAIL



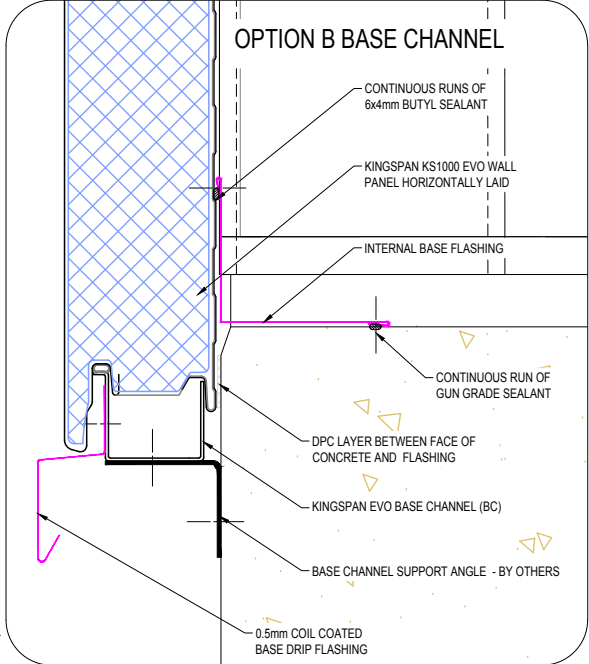
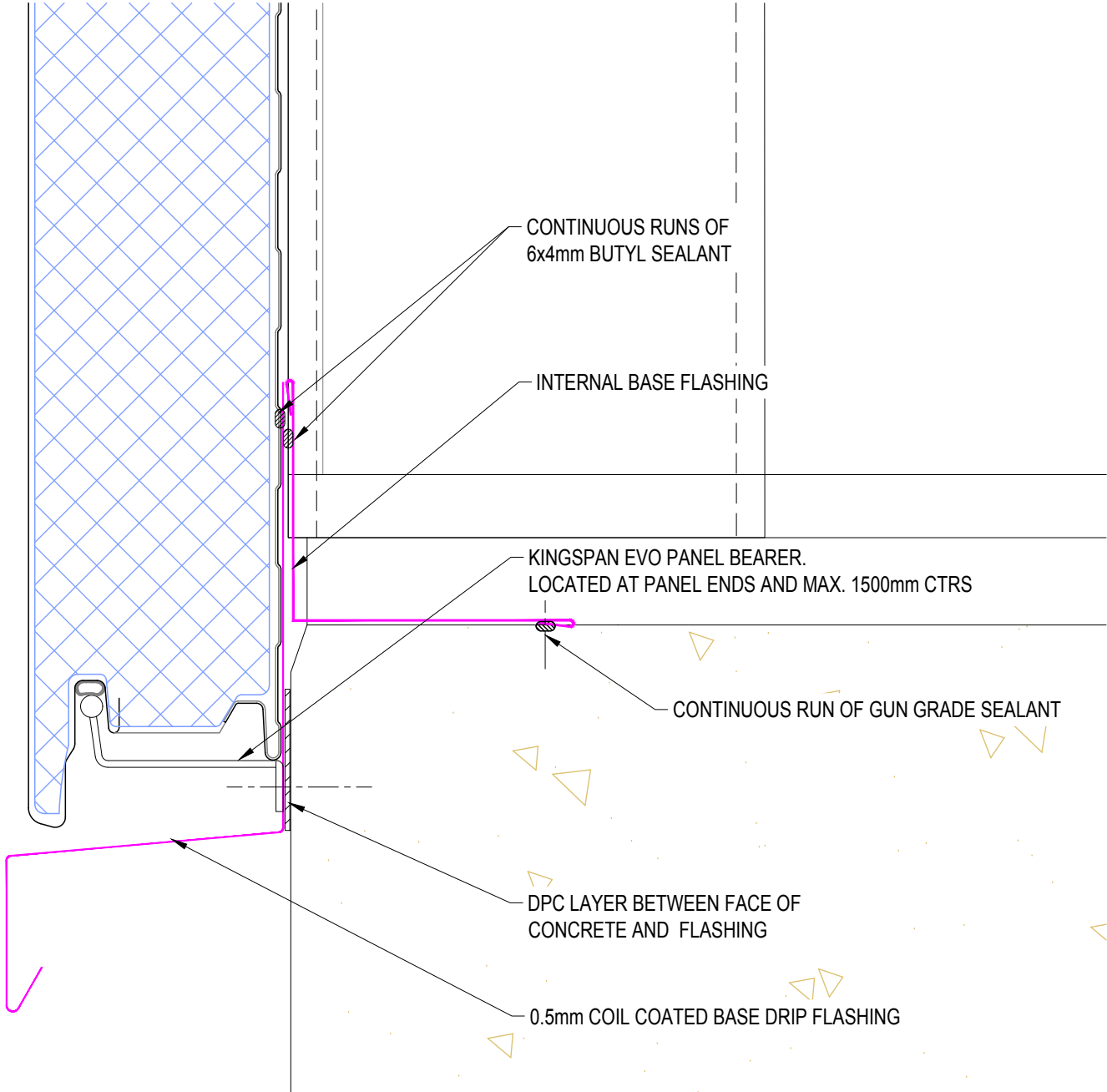
| | | | |
|-------------------------------------|----------|----------|------------|
| SYSTEM | | | |
| KS1000 EVO WALL HORIZONTAL_ Q1 2019 | | | |
| DESCRIPTION | | | |
| EVO WALL BASE CHANNEL DETAIL | | | |
| APPROVED BY | DATE | REVISION | |
| JS | 18.03.19 | - | |
| DRG REF: | SCALE | SHEET | PAPER SIZE |
| EVO_HS_06a | 1:2 | 8 | A4 |

This document remains the property of Kingspan Ltd under copyright laws. Licence is granted to use this document and its contents in connection with Kingspan Ltd products only.
©Kingspan Ltd

DO NOT SCALE. IF IN DOUBT ASK

New Zealand: Kingspan Ltd
 97 Montreal St
 Christchurch
 Tel: +64 (3) 260 5530
 Fax: +64 (3) 260 5539
 Freephone: 0800 121280
 email: info@kingspanpanels.co.nz
 www.kingspanpanels.co.nz

EVO BASE SUPPORT 3



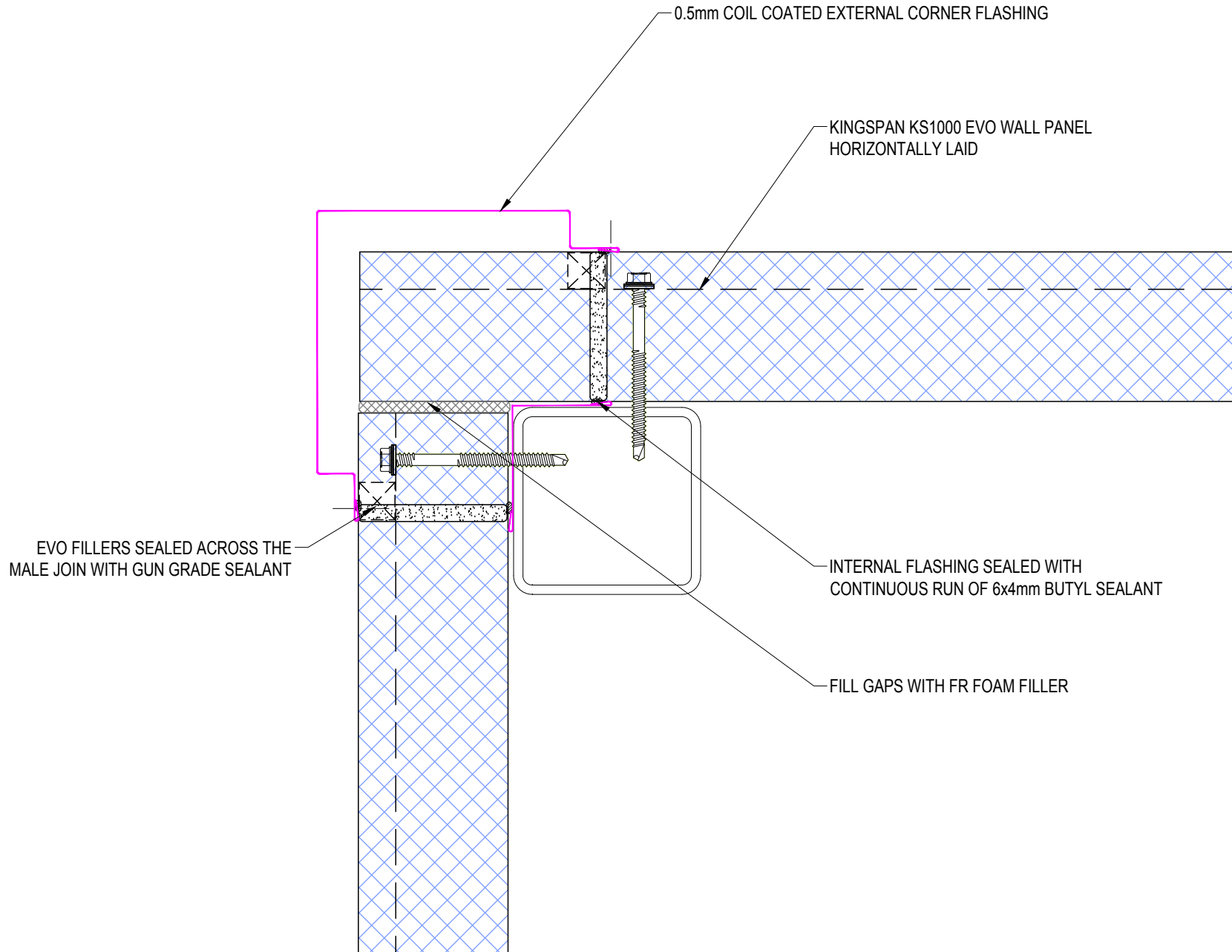
| | | | |
|--|------------------|---------------|------------------|
| SYSTEM KS1000 EVO WALL HORIZONTAL_Q1 2019 | | | |
| DESCRIPTION EVO BASE SUPPORT 3 | | | |
| APPROVED BY JS | DATE 18.03.19 | REVISION - | |
| DRG REF: EVO_HS_07 | SCALE 1:2 | SHEET 9 | PAPER SIZE A4 |

This document remains the property of Kingspan Ltd under copyright laws. Licence is granted to use this document and its contents in connection with Kingspan Ltd products only.
©Kingspan Ltd

DO NOT SCALE. IF IN DOUBT ASK

New Zealand: Kingspan Ltd
97 Montreal St
Christchurch
Tel: +64 (3) 260 5530
Fax: +64 (3) 260 5539
Freephone: 0800 121280
email: info@kingspanpanels.co.nz
www.kingspanpanels.co.nz

EVO WALL - EXTERNAL CORNER



| | | | |
|---|------------------|---------------|------------------|
| SYSTEM KS1000 EVO WALL HORIZONTAL_ Q1 2019 | | | |
| DESCRIPTION EVO WALL - EXTERNAL CORNER | | | |
| APPROVED BY JS | DATE 18.03.19 | REVISION - | |
| DRG REF: EVO_HS_08 | SCALE 1:3 | SHEET 10 | PAPER SIZE A4 |

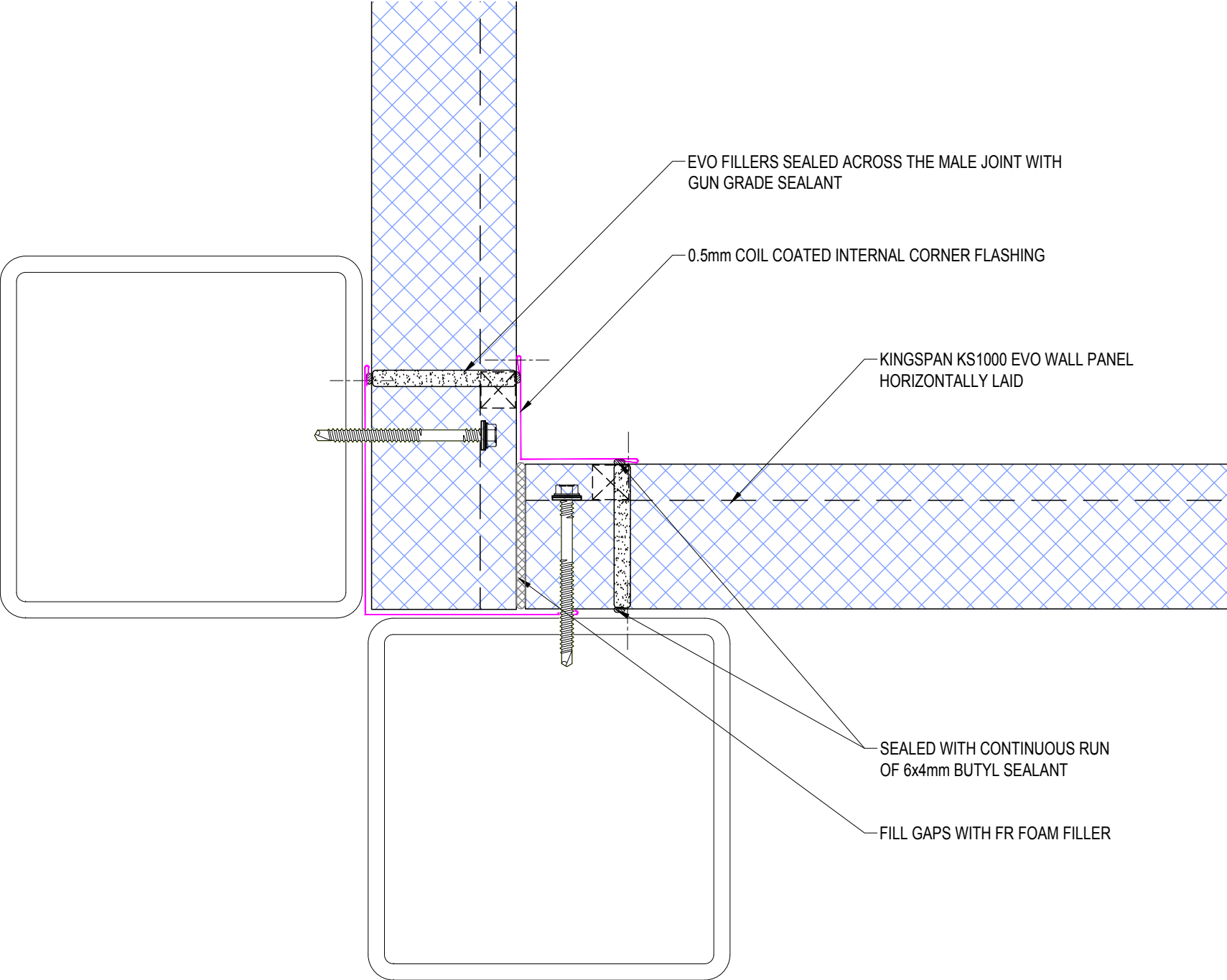
This document remains the property of Kingspan Ltd under copyright laws. Licence is granted to use this document and its contents in connection with Kingspan Ltd products only.
©Kingspan Ltd

DO NOT SCALE. IF IN DOUBT ASK

New Zealand: Kingspan Ltd
97 Montreal St
Christchurch
Tel: +64 (3) 260 5530
Fax: +64 (3) 260 5539
Freephone: 0800 121280
email: info@kingspanpanels.co.nz
www.kingspanpanels.co.nz



EVO WALL - INTERNAL CORNER



| | | | |
|---|------------------|---------------|------------------|
| SYSTEM KS1000 EVO WALL HORIZONTAL_ Q1 2019 | | | |
| DESCRIPTION EVO WALL - INTERNAL CORNER | | | |
| APPROVED BY JS | DATE 18.03.19 | REVISION - | |
| DRG REF: EVO_HS_09 | SCALE 1:3 | SHEET 12 | PAPER SIZE A4 |

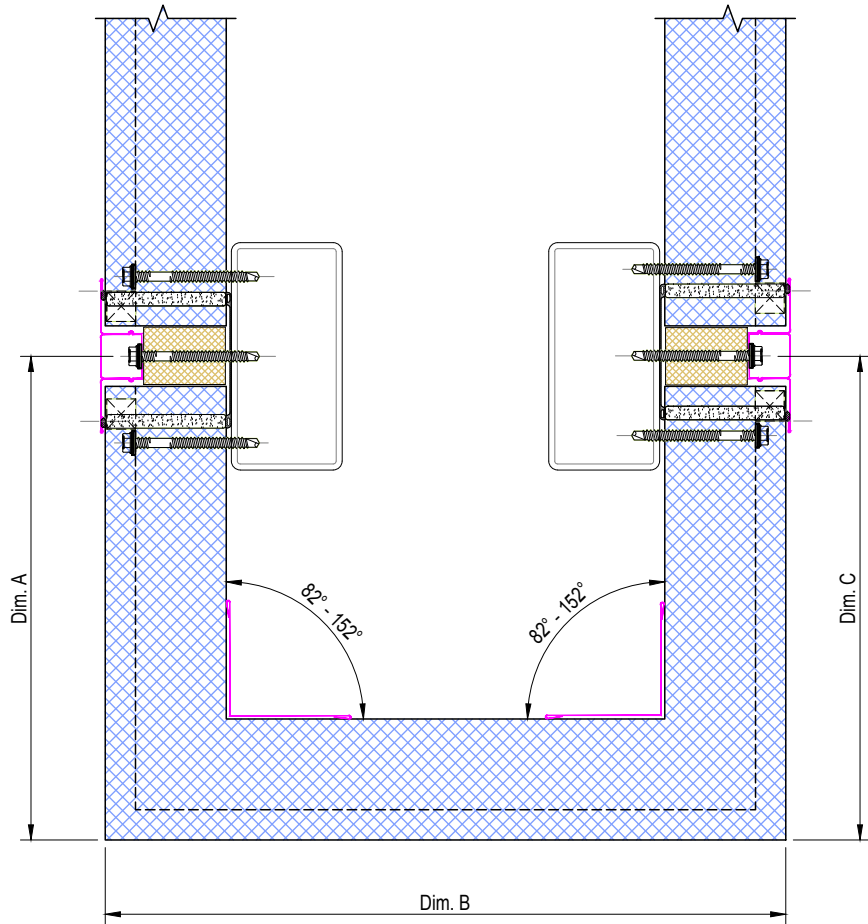
This document remains the property of Kingspan Ltd under copyright laws. Licence is granted to use this document and its contents in connection with Kingspan Ltd products only.
©Kingspan Ltd

DO NOT SCALE. IF IN DOUBT ASK

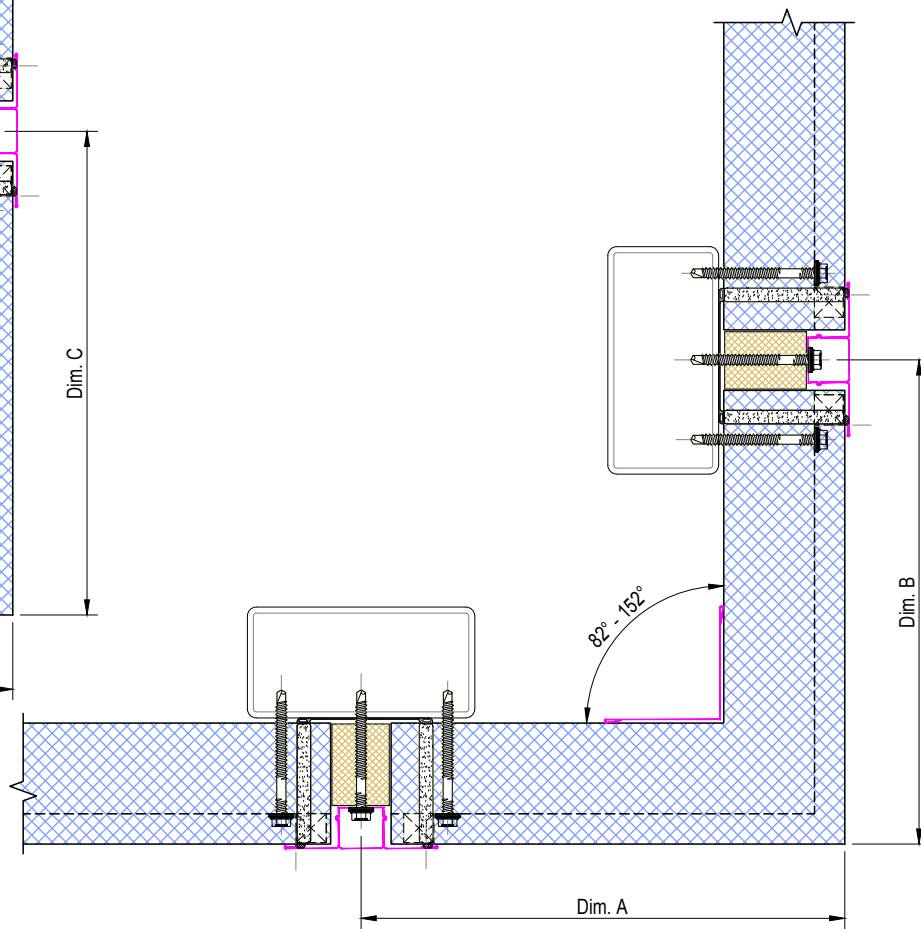
New Zealand: Kingspan Ltd
97 Montreal St
Christchurch
Tel: +64 (3) 260 5530
Fax: +64 (3) 260 5539
Freephone: 0800 121280
email: info@kingspanpanels.co.nz
www.kingspanpanels.co.nz



EXTERNAL PRE-FORMED CORNER (FOR 50, 80 & 100MM THICK PANELS ONLY)



REFER TO KINGSPAN FOR
MAXIMUM PRACTICAL SIZES



DOUBLE CRANKED CORNER
ALL DIMENSIONS ARE TO THE EXTERNAL FACE OF THE PANEL.
REFER KINGSPAN TECHNICAL FOR MAX DIMENSIONS.
INTERNAL ANGLES = 82 DEG. TO 152 DEG.

SINGLE CRANKED CORNER
ALL ABOVE DIMENSIONS ARE TO THE EXTERNAL FACE OF THE PANEL.
INTERNAL ANGLES = 82 DEG. TO 152 DEG.
MAXIMUM LENGTH OF TOTAL CRANK MUST NOT EXCEED 2400mm. MAX UNSUPPORTED CANTILEVER IS 1000mm.

| | MINIMUM | MAXIMUM |
|-------------|---------|---------|
| DIMENSION A | 300mm | 1200mm |
| DIMENSION B | 300mm | 1200mm |
| DIMENSION C | 300mm | 1200mm |

| | MINIMUM | MAXIMUM |
|-------------|---------|---------|
| DIMENSION A | 300mm | 1200mm |
| DIMENSION B | 300mm | 1200mm |

| Available for panel thickness | |
|-------------------------------|-----|
| 50 EVO | YES |
| 80 EVO | YES |
| 100 EVO | YES |
| 140 EVO | NO |

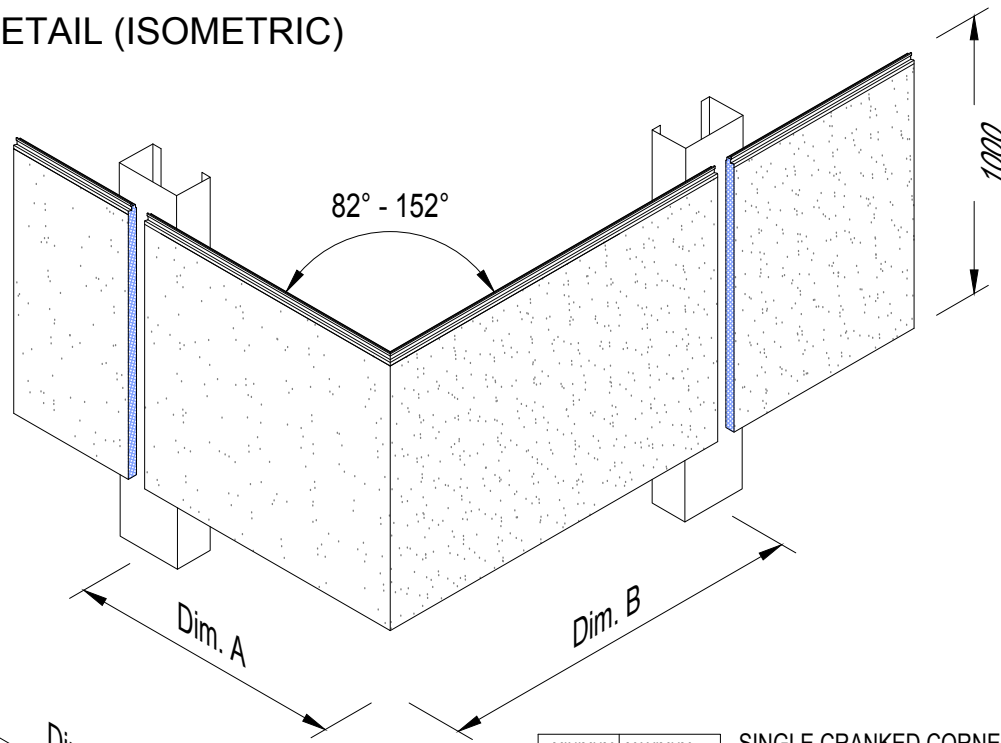
| | | | |
|--|------------------|---------------|------------------|
| SYSTEM KS1000 EVO WALL HORIZONTAL_Q1 2019 | | | |
| DESCRIPTION EXTERNAL PRE-FORMED CORNER | | | |
| APPROVED BY JS | DATE 18.03.19 | REVISION - | |
| DRG REF: EVO_HS_08a | SCALE 1:5 | SHEET 11 | PAPER SIZE A4 |

This document remains the property of Kingspan Ltd under copyright laws. Licence is granted to use this document and its contents in connection with Kingspan Ltd products only.
©Kingspan Ltd

DO NOT SCALE. IF IN DOUBT ASK

New Zealand: Kingspan Ltd
97 Montreal St
Christchurch
Tel: +64 (3) 260 5530
Fax: +64 (3) 260 5539
Freephone: 0800 121280
email: info@kingspanpanels.co.nz
www.kingspanpanels.co.nz

EVO WALL PREFORMED CORNER DETAIL (ISOMETRIC)

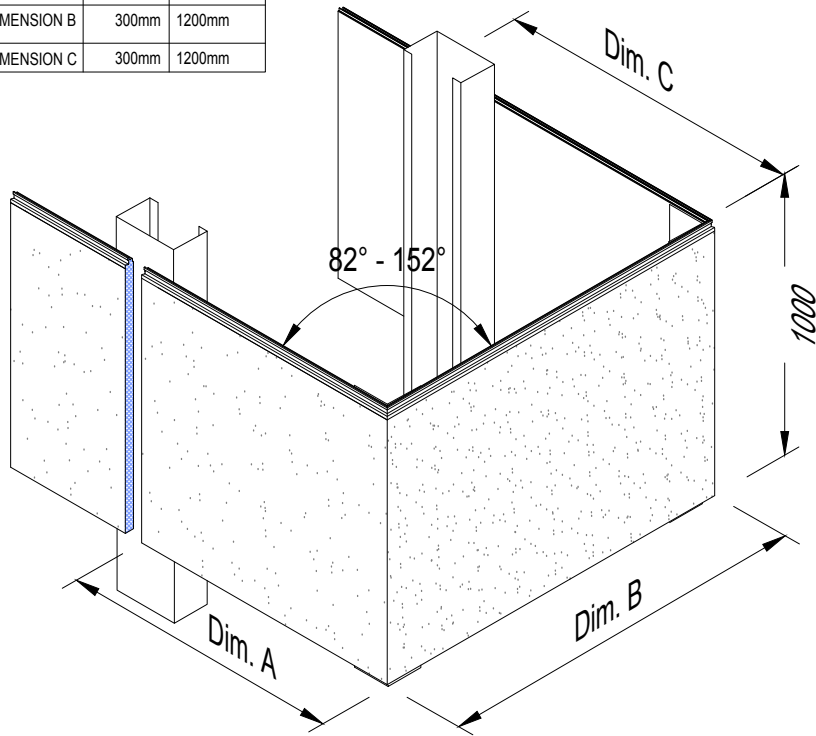


| Available for panel thickness | |
|-------------------------------|-----|
| 50 EVO | YES |
| 80 EVO | YES |
| 100 EVO | YES |
| 140 EVO | NO |

DOUBLE CRANKED CORNER

ALL DIMENSIONS ARE TO THE EXTERNAL FACE OF THE PANEL.
REFER KINGSPAN TECHNICAL FOR MAX DIMENSIONS.
INTERNAL ANGLES = 82 DEG. TO 152 DEG.

| | MINIMUM | MAXIMUM |
|-------------|---------|---------|
| DIMENSION A | 300mm | 1200mm |
| DIMENSION B | 300mm | 1200mm |
| DIMENSION C | 300mm | 1200mm |



| | MINIMUM | MAXIMUM |
|-------------|---------|---------|
| DIMENSION A | 300mm | 1200mm |
| DIMENSION B | 300mm | 1200mm |

SINGLE CRANKED CORNER

ALL DIMENSIONS ARE TO THE EXTERNAL FACE OF THE PANEL.
INTERNAL ANGLES = 82 DEG. TO 152 DEG.
MAXIMUM LENGTH OF TOTAL CRANK MUST NOT EXCEED 2400mm.
MAX UNSUPPORTED CANTILEVER = 1000mm.

| | | | |
|--|------------------|---------------|------------------|
| SYSTEM KS1000 EVO WALL HORIZONTAL_Q1 2019 | | | |
| DESCRIPTION EVO WALL PREFORMED CORNER DETAIL (ISOMETRIC) | | | |
| APPROVED BY JS | DATE 18.03.19 | REVISION - | |
| DRG REF: EVO_HS_08b | SCALE N.T.S | SHEET 13 | PAPER SIZE A4 |

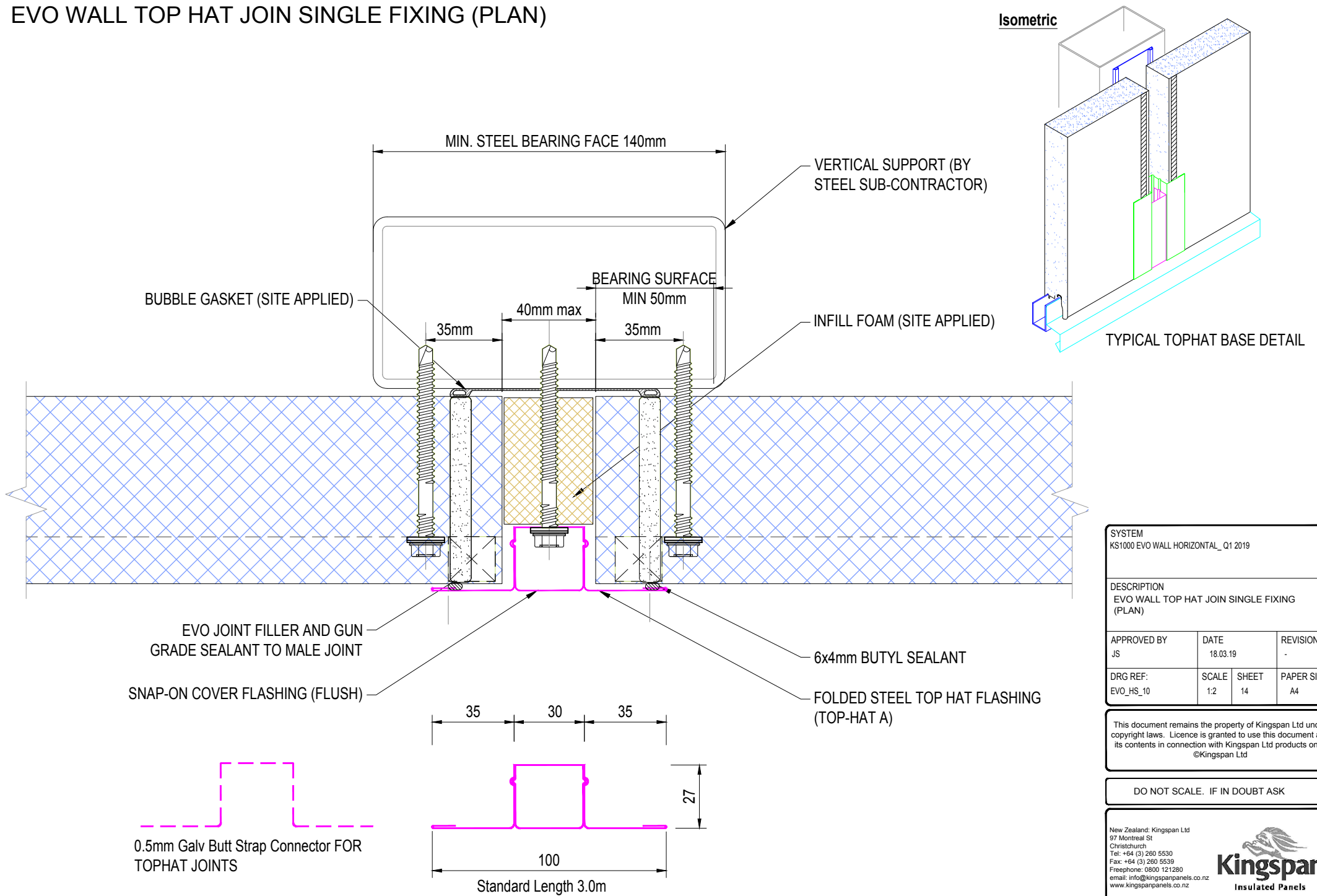
This document remains the property of Kingspan Ltd under copyright laws. Licence is granted to use this document and its contents in connection with Kingspan Ltd products only.
©Kingspan Ltd

DO NOT SCALE. IF IN DOUBT ASK

New Zealand: Kingspan Ltd
97 Montreal St
Christchurch
Tel: +64 (3) 260 5530
Fax: +64 (3) 260 5539
Freephone: 0800 121280
email: info@kingspanpanels.co.nz
www.kingspanpanels.co.nz



EVO WALL TOP HAT JOIN SINGLE FIXING (PLAN)

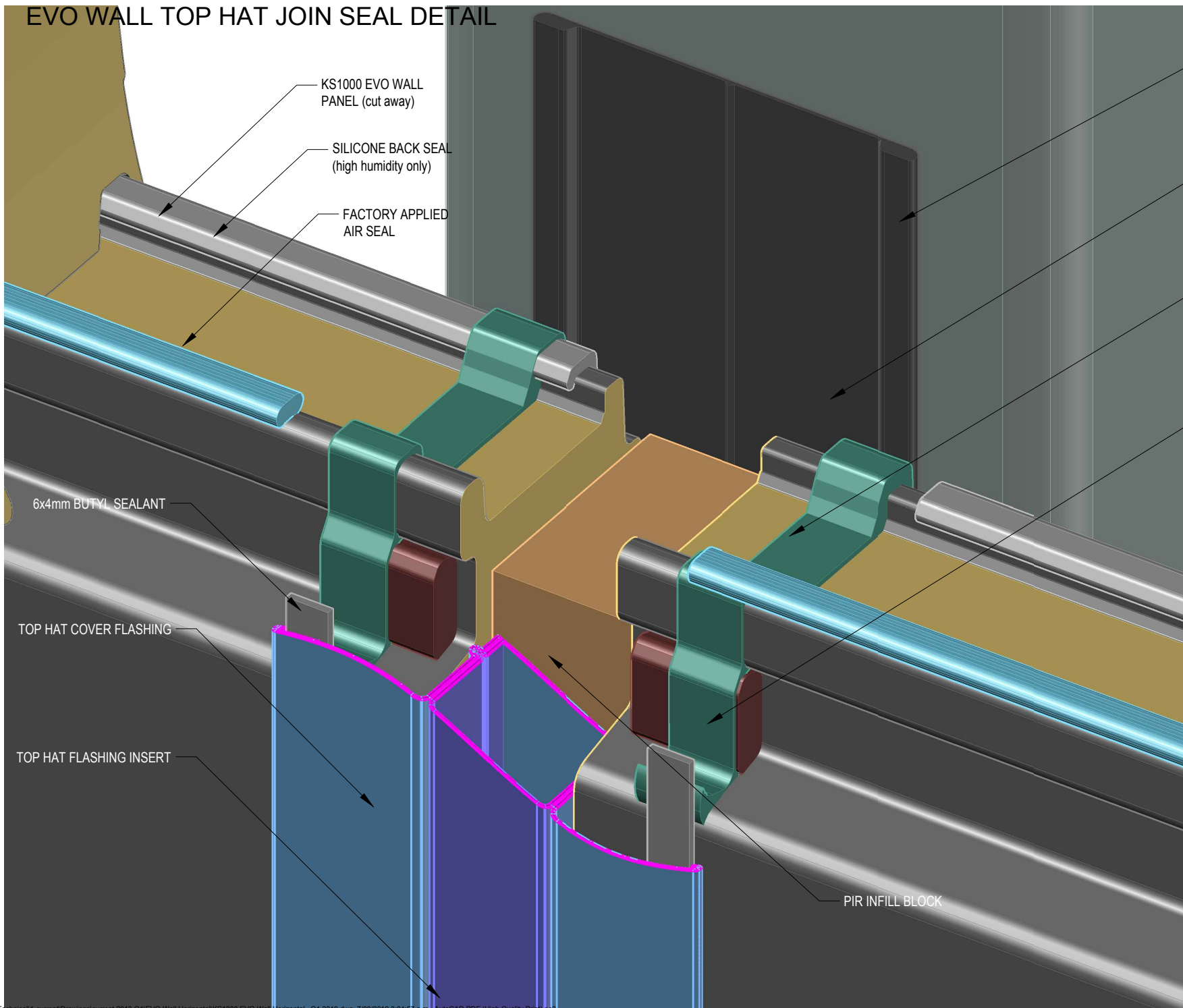


| | | | |
|---|-------------------------|----------------------|-------------------------|
| SYSTEM KS1000 EVO WALL HORIZONTAL_Q1 2019 | | | |
| DESCRIPTION EVO WALL TOP HAT JOIN SINGLE FIXING (PLAN) | | | |
| APPROVED BY JS | DATE 18.03.19 | REVISION - | |
| DRG REF: EVO_HS_10 | SCALE 1:2 | SHEET 14 | PAPER SIZE A4 |
| This document remains the property of Kingspan Ltd under copyright laws. Licence is granted to use this document and its contents in connection with Kingspan Ltd products only. ©Kingspan Ltd | | | |

DO NOT SCALE. IF IN DOUBT ASK

New Zealand: Kingspan Ltd
97 Montreal St
Christchurch
Tel: +64 (3) 260 5530
Fax: +64 (3) 260 5539
Freephone: 0800 121280
email: info@kingspanpanels.co.nz
www.kingspanpanels.co.nz

EVO WALL TOP HAT JOIN SEAL DETAIL



- STRUCTURE (By Others)
- BUBBLE GASKET (VJ2)
- GUN GRADE SEALANT ACROSS JOIN
- EVO FOAM FILLER (3Fill)

- KS1000 EVO WALL PANEL (cut away)
- SILICONE BACK SEAL (high humidity only)
- FACTORY APPLIED AIR SEAL

- 6x4mm BUTYL SEALANT
- TOP HAT COVER FLASHING
- TOP HAT FLASHING INSERT

PIR INFILL BLOCK

| | | | |
|---|------------------|---------------|------------------|
| SYSTEM KS1000 EVO WALL HORIZONTAL_Q1 2019 | | | |
| DESCRIPTION EVO WALL TOP HAT JOIN SEAL DETAIL | | | |
| APPROVED BY JS | DATE 18.03.19 | REVISION - | |
| DRG REF: EVO_HS_11 | SCALE 1:1 | SHEET 15 | PAPER SIZE A4 |

This document remains the property of Kingspan Ltd under copyright laws. Licence is granted to use this document and its contents in connection with Kingspan Ltd products only.
©Kingspan Ltd

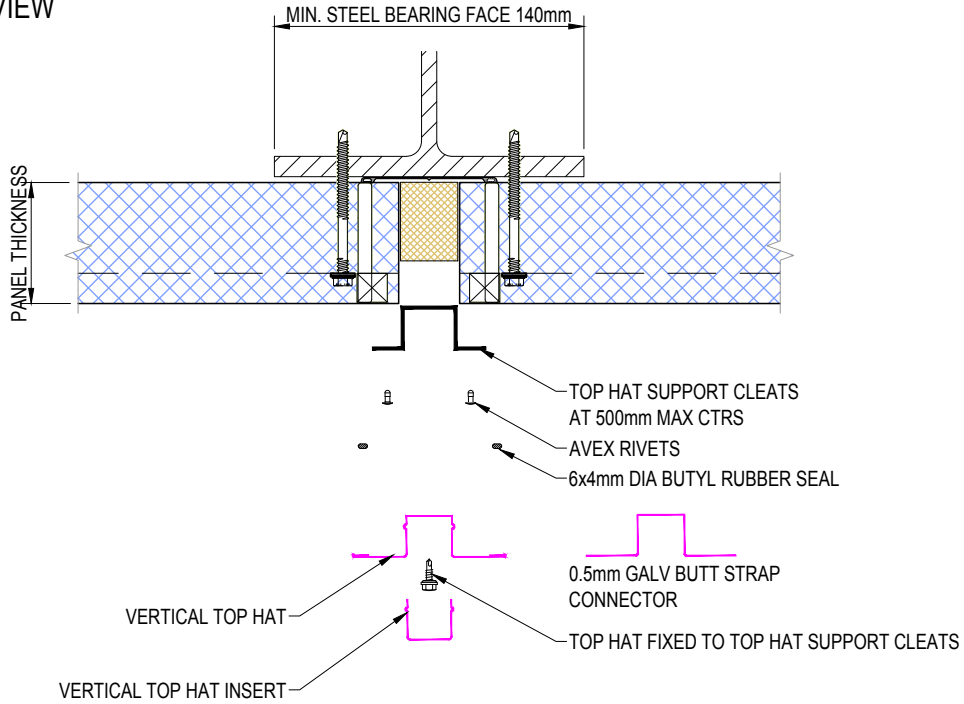
DO NOT SCALE. IF IN DOUBT ASK

New Zealand: Kingspan Ltd
97 Montreal St
Christchurch
Tel: +64 (3) 260 5530
Fax: +64 (3) 260 5539
Freephone: 0800 121280
email: info@kingspanpanels.co.nz
www.kingspanpanels.co.nz

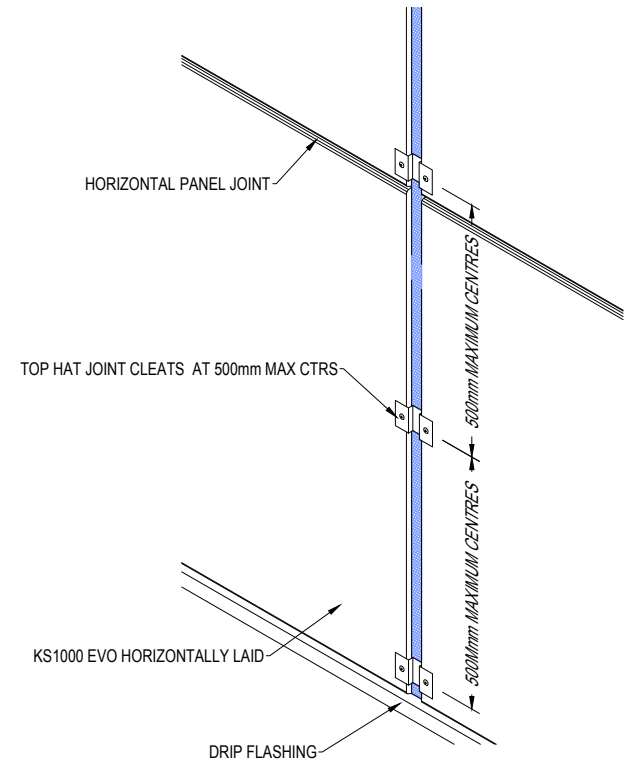
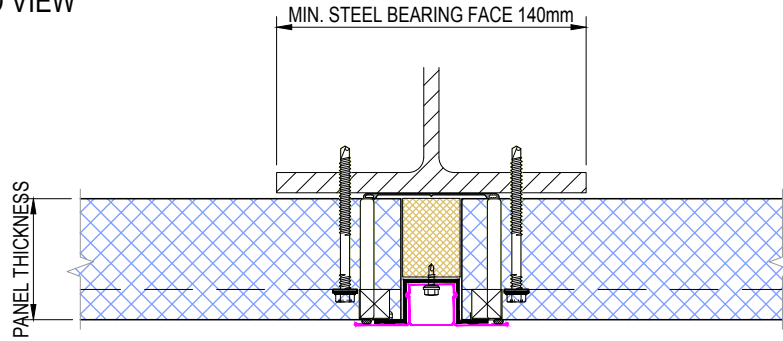


EVO LONGSPAN TOPHAT DETAIL TO UC COLUMN

EXPLODED VIEW



ASSEMBLED VIEW



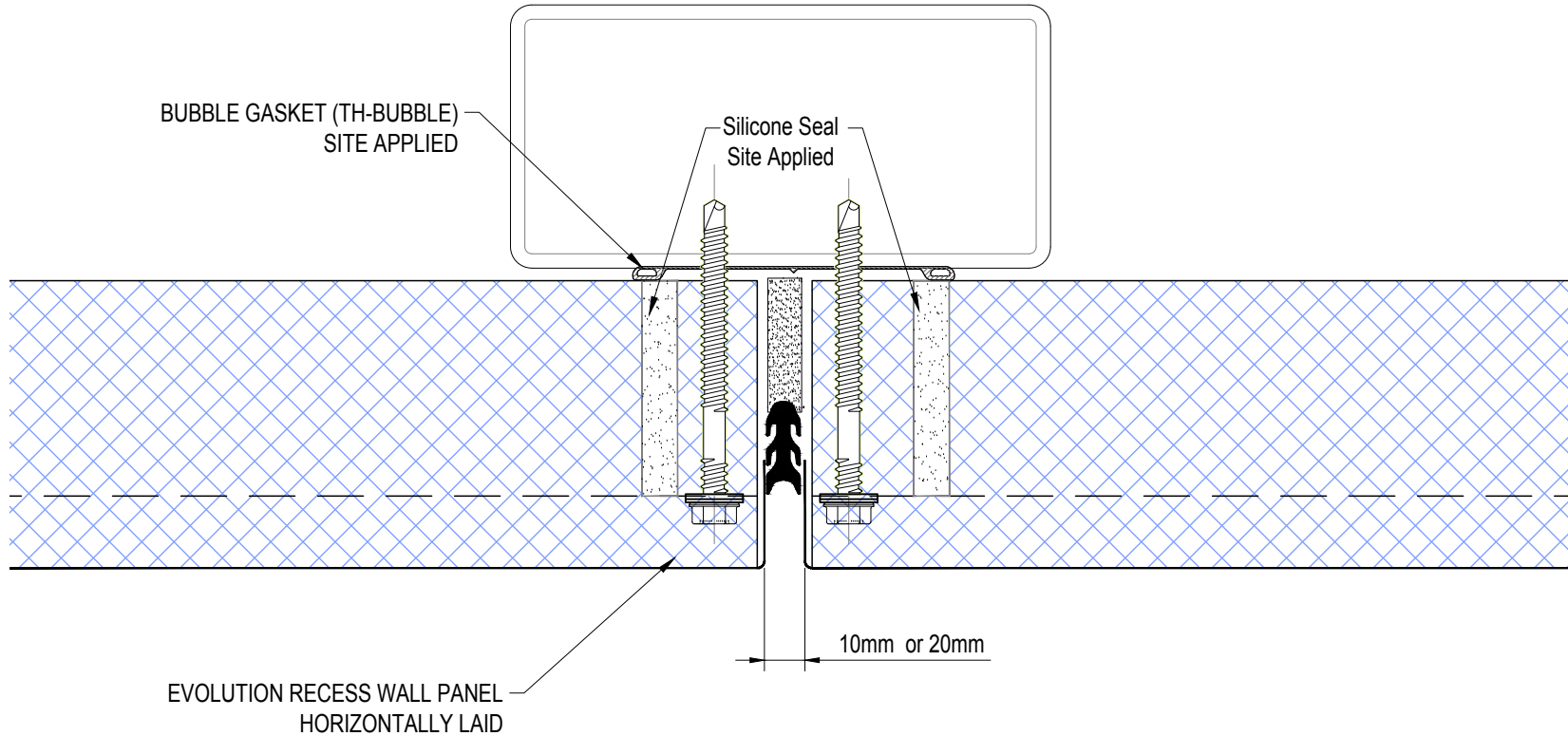
| | | | |
|--|------------------|---------------|------------------|
| SYSTEM KS1000 EVO WALL HORIZONTAL_Q1 2019 | | | |
| DESCRIPTION EVO LONGSPAN TOPHAT DETAIL TO UC COLUMN | | | |
| APPROVED BY JS | DATE 18.03.19 | REVISION - | |
| DRG REF: EVO_HS_11a | SCALE nts | SHEET 16 | PAPER SIZE A4 |

This document remains the property of Kingspan Ltd under copyright laws. Licence is granted to use this document and its contents in connection with Kingspan Ltd products only.
©Kingspan Ltd

DO NOT SCALE. IF IN DOUBT ASK

New Zealand: Kingspan Ltd
97 Montreal St
Christchurch
Tel: +64 (3) 260 5530
Fax: +64 (3) 260 5539
Freephone: 0800 121280
email: info@kingspanpanels.co.nz
www.kingspanpanels.co.nz

EVOLUTION RECESS - VERTICAL JOINT FIXING & SEALS



EQ2-10 or EQ2-20 push-in EPDM Gasket

| | | | |
|--|------------------|---------------|------------------|
| SYSTEM KS1000 EVO WALL HORIZONTAL_Q1 2019 | | | |
| DESCRIPTION EVOLUTION RECESS TOPHAT DETAIL TO RHS COLUMN | | | |
| APPROVED BY JS | DATE 18.03.19 | REVISION - | |
| DRG REF: EVO_HS_11b | SCALE nts | SHEET 17 | PAPER SIZE A4 |

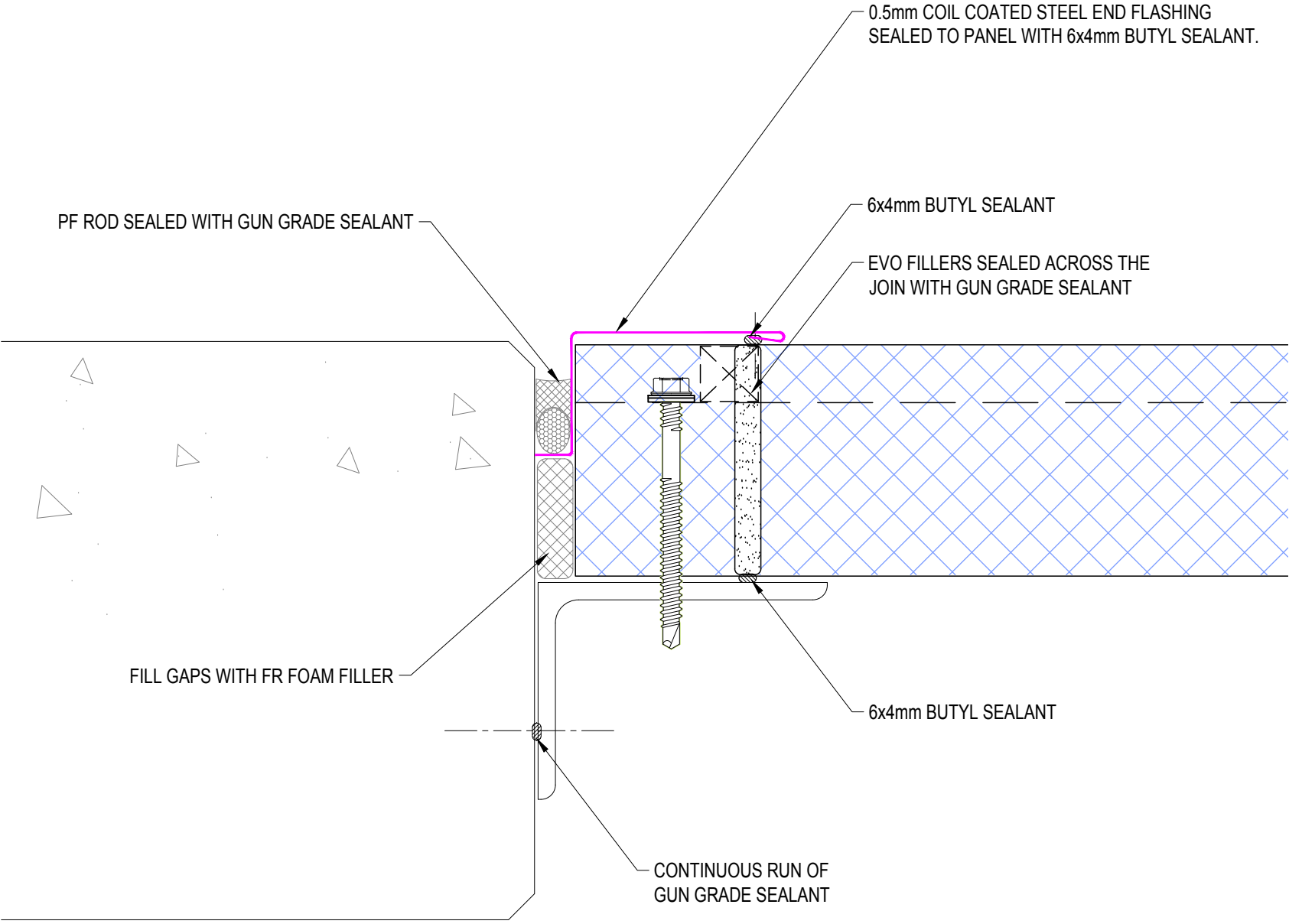
This document remains the property of Kingspan Ltd under copyright laws. Licence is granted to use this document and its contents in connection with Kingspan Ltd products only.
©Kingspan Ltd

DO NOT SCALE. IF IN DOUBT ASK

New Zealand: Kingspan Ltd
97 Montreal St
Christchurch
Tel: +64 (3) 260 5530
Fax: +64 (3) 260 5539
Freephone: 0800 121280
email: info@kingspanpanels.co.nz
www.kingspanpanels.co.nz

Kingspan.
Insulated Panels

EVO WALL FACE ALIGNED WITH CONCRETE



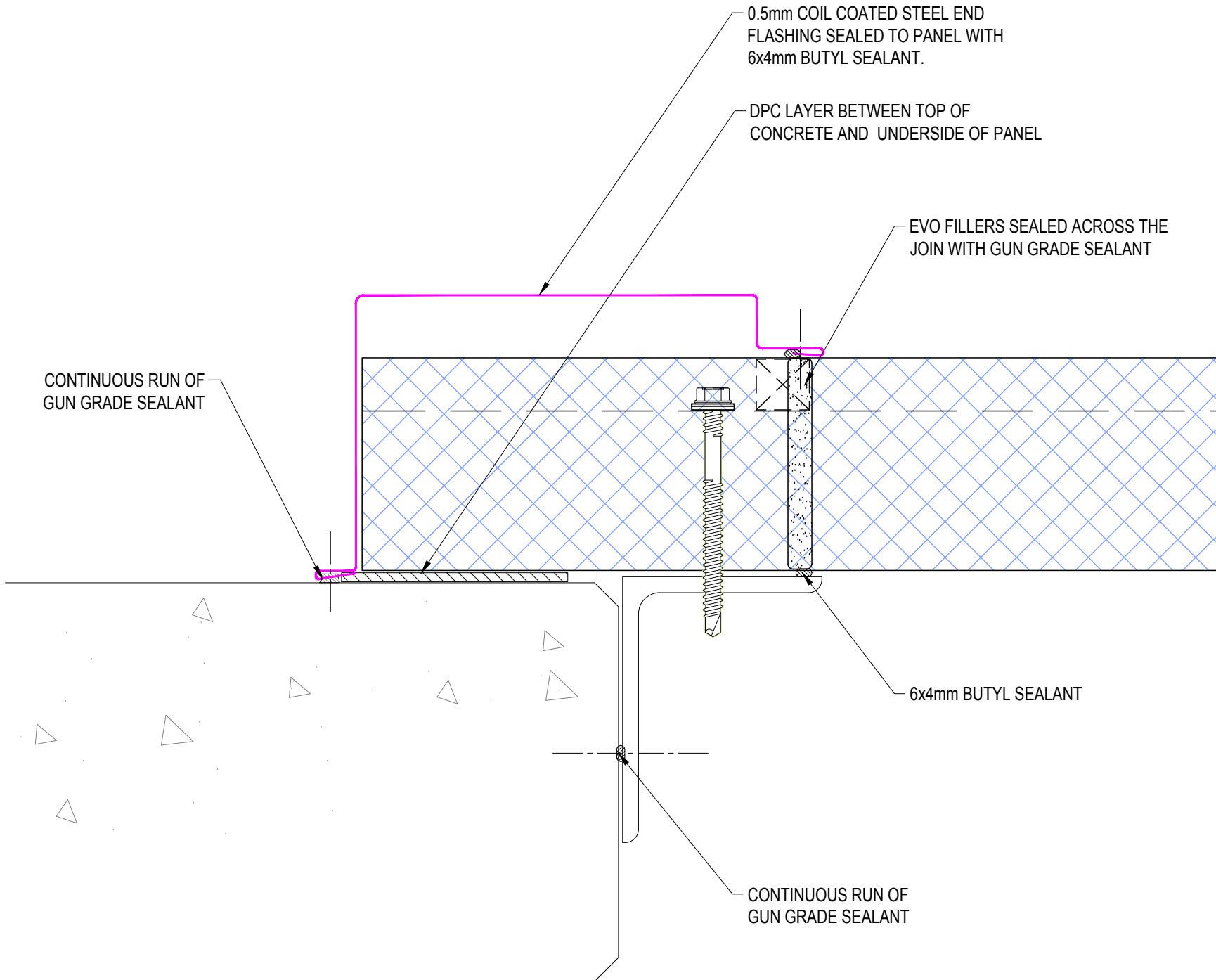
| | | | |
|--|------------------|---------------|------------------|
| SYSTEM KS1000 EVO WALL HORIZONTAL_Q1 2019 | | | |
| DESCRIPTION EVO WALL FACE ALIGNED WITH CONCRETE | | | |
| APPROVED BY JS | DATE 18.03.19 | REVISION - | |
| DRG REF: EVO_HS_12 | SCALE 1:2 | SHEET 18 | PAPER SIZE A4 |

This document remains the property of Kingspan Ltd under copyright laws. Licence is granted to use this document and its contents in connection with Kingspan Ltd products only.
©Kingspan Ltd

DO NOT SCALE. IF IN DOUBT ASK

New Zealand: Kingspan Ltd
97 Montreal St
Christchurch
Tel: +64 (3) 260 5530
Fax: +64 (3) 260 5539
Freephone: 0800 121280
email: info@kingspanpanels.co.nz
www.kingspanpanels.co.nz

EVO WALL FACE FIXED OVER CONCRETE



| | | | |
|--|------------------|---------------|------------------|
| SYSTEM KS1000 EVO WALL HORIZONTAL_Q1 2019 | | | |
| DESCRIPTION EVO WALL FACE FIXED OVER CONCRETE | | | |
| APPROVED BY JS | DATE 18.03.19 | REVISION - | |
| DRG REF: EVO_HS_13 | SCALE 1:2 | SHEET 19 | PAPER SIZE A4 |

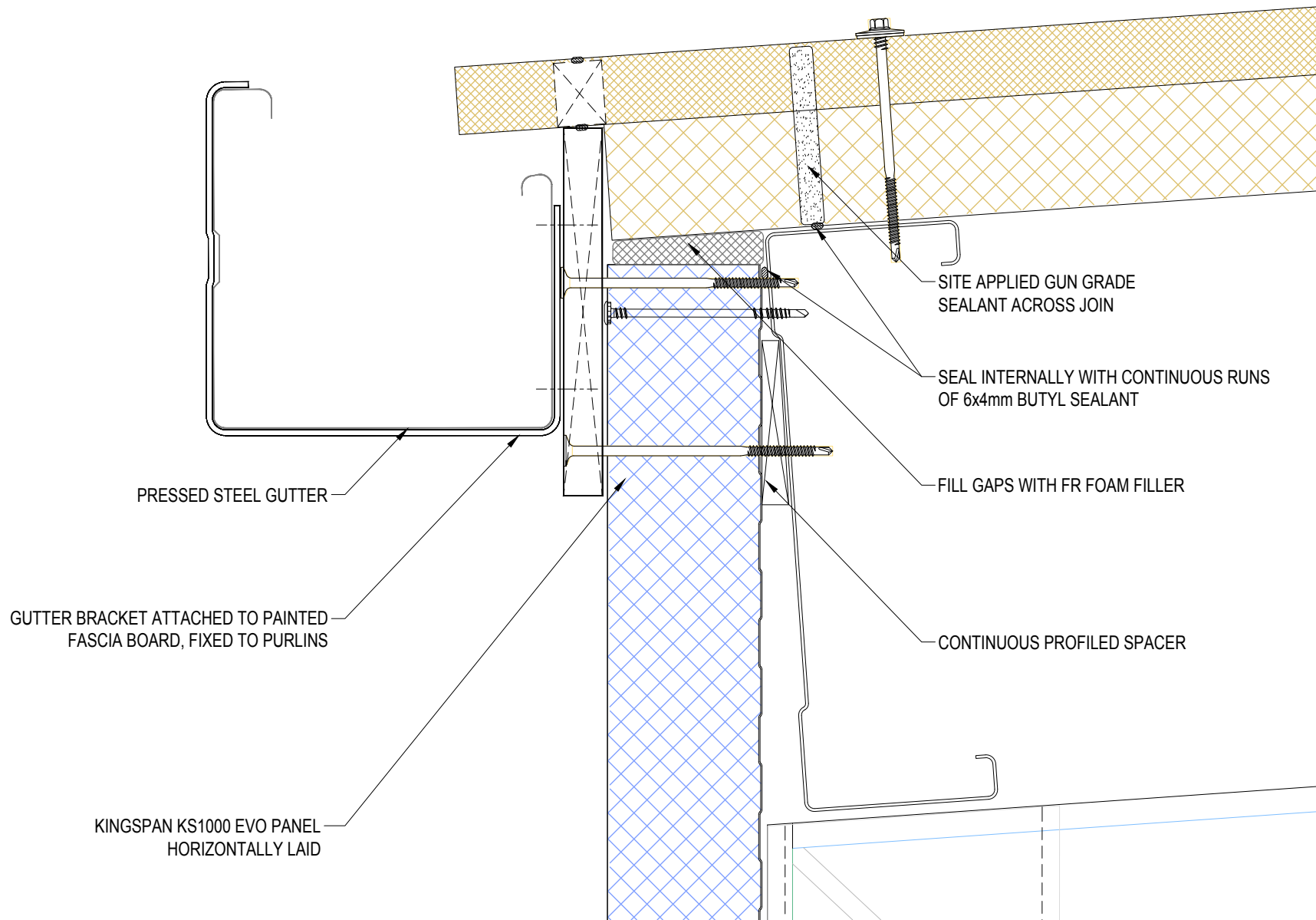
This document remains the property of Kingspan Ltd under copyright laws. Licence is granted to use this document and its contents in connection with Kingspan Ltd products only.
©Kingspan Ltd

DO NOT SCALE. IF IN DOUBT ASK

New Zealand: Kingspan Ltd
97 Montreal St
Christchurch
Tel: +64 (3) 260 5530
Fax: +64 (3) 260 5539
Freephone: 0800 121280
email: info@kingspanpanels.co.nz
www.kingspanpanels.co.nz



EVO WALL EAVES GUTTER



| | | | |
|---|------------------|---------------|------------------|
| SYSTEM KS1000 EVO WALL HORIZONTAL_ Q1 2019 | | | |
| DESCRIPTION EVO WALL EAVES GUTTER | | | |
| APPROVED BY JS | DATE 18.03.19 | REVISION - | |
| DRG REF: EVO_HS_14 | SCALE 1:2 | SHEET 20 | PAPER SIZE A4 |

This document remains the property of Kingspan Ltd under copyright laws. Licence is granted to use this document and its contents in connection with Kingspan Ltd products only.
©Kingspan Ltd

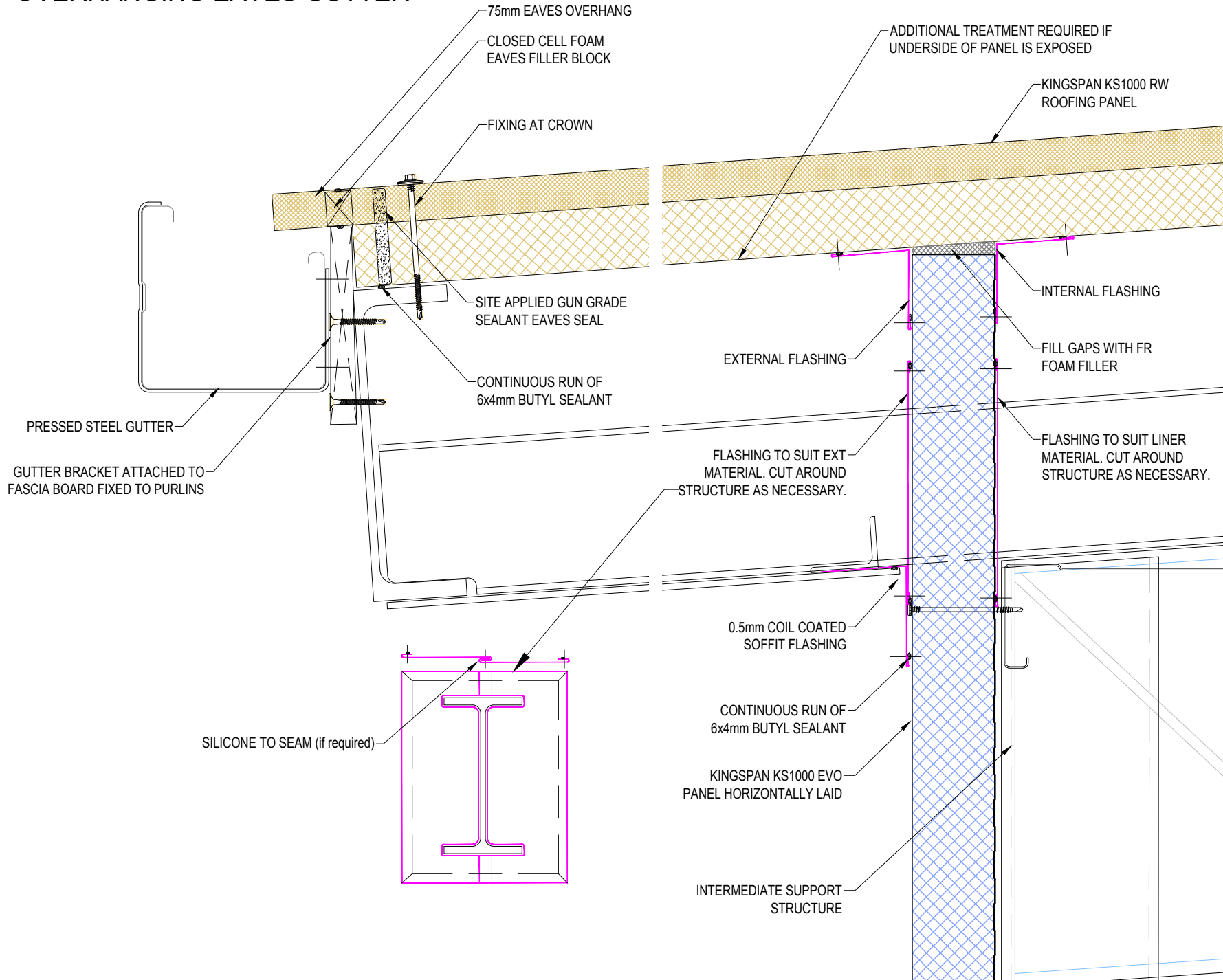
DO NOT SCALE. IF IN DOUBT ASK

New Zealand: Kingspan Ltd
97 Montreal St
Christchurch
Tel: +64 (3) 260 5530
Fax: +64 (3) 260 5539
Freephone: 0800 121280
email: info@kingspanpanels.co.nz
www.kingspanpanels.co.nz



Kingspan.
Insulated Panels

OVERHANGING EAVES GUTTER



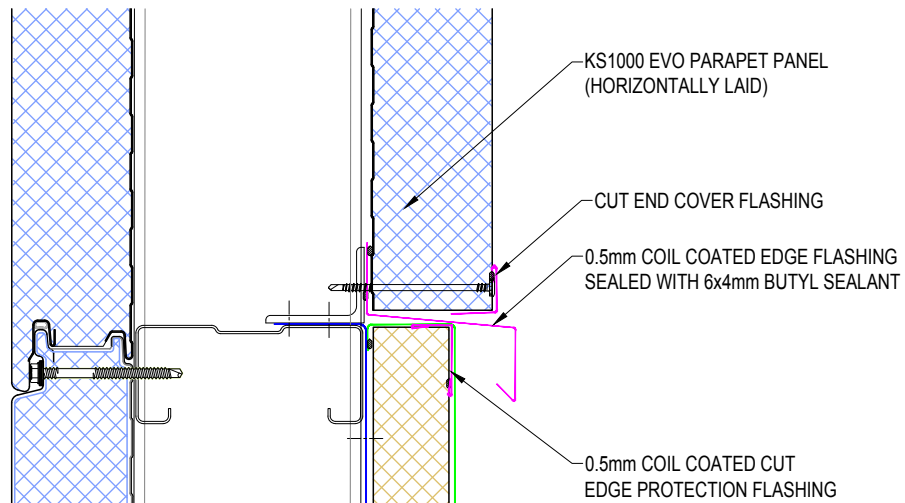
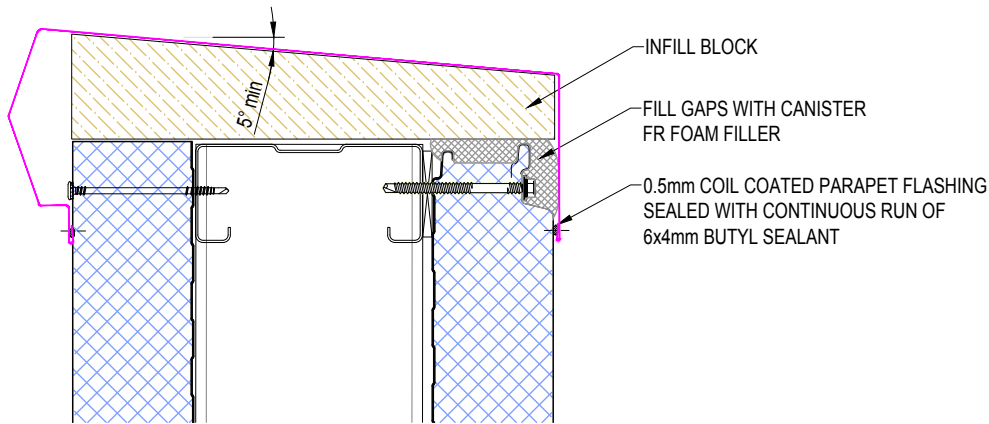
| | | | |
|--|------------------|---------------|------------------|
| SYSTEM KS1000 EVO WALL HORIZONTAL_Q1 2019 | | | |
| DESCRIPTION OVERHANGING EAVES GUTTER | | | |
| APPROVED BY JS | DATE 18.03.19 | REVISION - | |
| DRG REF: EVO_HS_15 | SCALE 1:5 | SHEET 21 | PAPER SIZE A4 |

This document remains the property of Kingspan Ltd under copyright laws. Licence is granted to use this document and its contents in connection with Kingspan Ltd products only.
©Kingspan Ltd

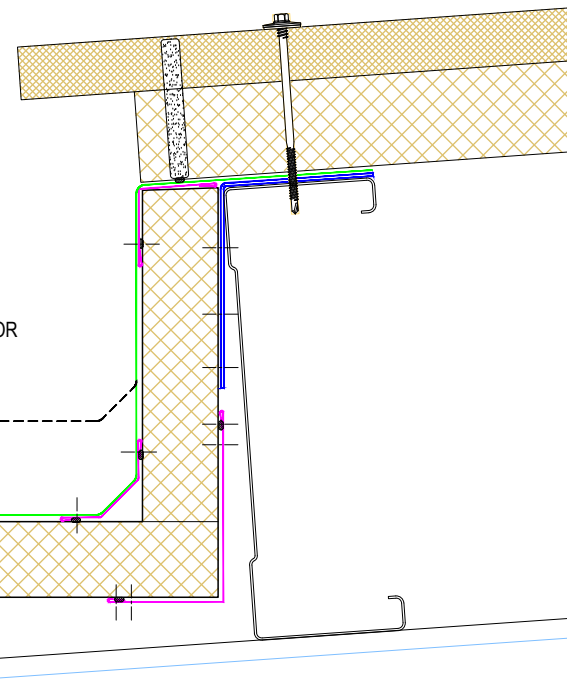
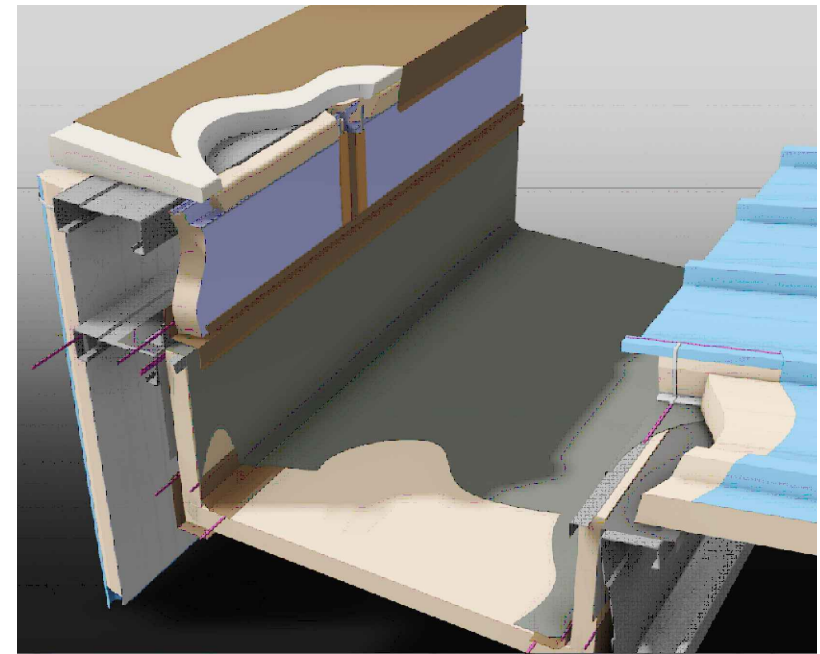
DO NOT SCALE. IF IN DOUBT ASK

New Zealand: Kingspan Ltd
97 Montreal St
Christchurch
Tel: +64 (3) 260 5530
Fax: +64 (3) 260 5539
Freephone: 0800 121280
email: info@kingspanpanels.co.nz
www.kingspanpanels.co.nz

EVO WALL PARAPET GUTTER



SEE ROOF DETAILS FOR GUTTER DETAILING



| | | | |
|--|------------------|---------------|------------------|
| SYSTEM KS1000 EVO WALL HORIZONTAL_Q1 2019 | | | |
| DESCRIPTION EVO WALL PARAPET GUTTER | | | |
| APPROVED BY JS | DATE 18.03.19 | REVISION - | |
| DRG REF: EVO_HS_16 | SCALE 1:5 | SHEET 22 | PAPER SIZE A4 |

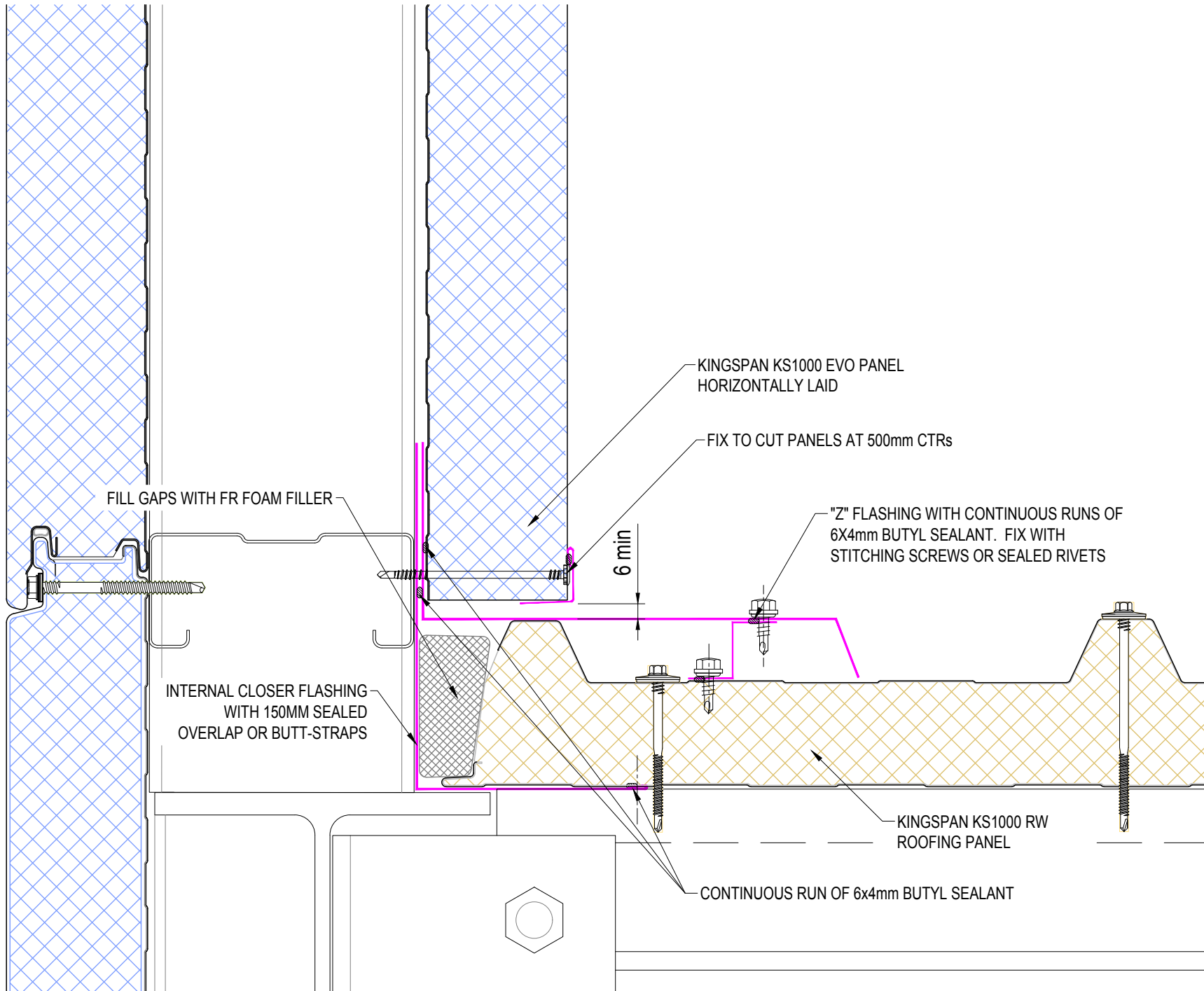
This document remains the property of Kingspan Ltd under copyright laws. Licence is granted to use this document and its contents in connection with Kingspan Ltd products only.
©Kingspan Ltd

DO NOT SCALE. IF IN DOUBT ASK

New Zealand: Kingspan Ltd
97 Montreal St
Christchurch
Tel: +64 (3) 260 5530
Fax: +64 (3) 260 5539
Freephone: 0800 121280
email: info@kingspanpanels.co.nz
www.kingspanpanels.co.nz

Kingspan.
Insulated Panels

EVO WALL PARAPET VERGE



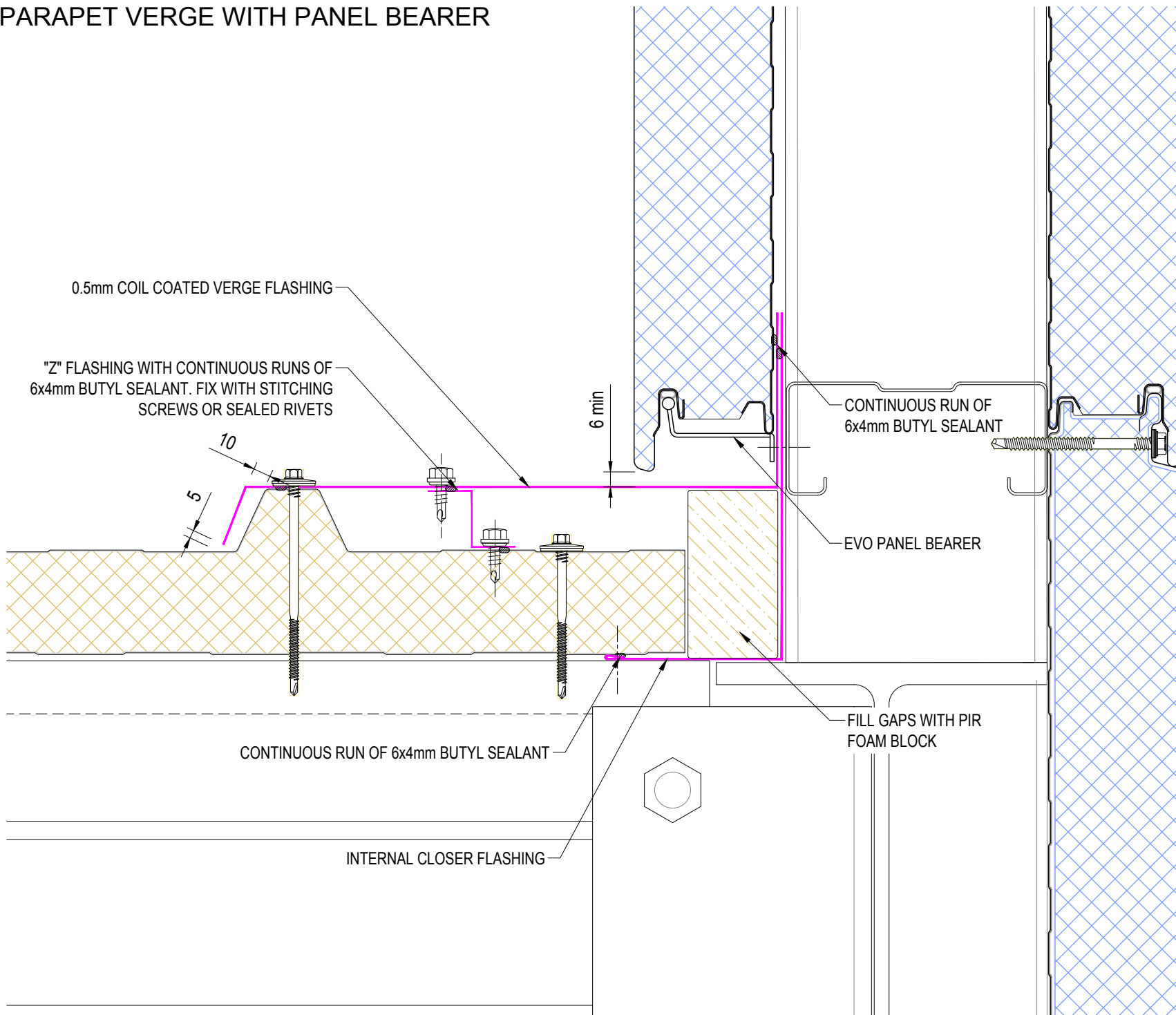
| | | | |
|--|------------------|---------------|------------------|
| SYSTEM KS1000 EVO WALL HORIZONTAL_Q1 2019 | | | |
| DESCRIPTION EVO WALL PARAPET VERGE | | | |
| APPROVED BY JS | DATE 18.03.19 | REVISION - | |
| DRG REF: EVO_HS_17 | SCALE 1:3 | SHEET 23 | PAPER SIZE A4 |

This document remains the property of Kingspan Ltd under copyright laws. Licence is granted to use this document and its contents in connection with Kingspan Ltd products only.
©Kingspan Ltd

DO NOT SCALE. IF IN DOUBT ASK

New Zealand: Kingspan Ltd
97 Montreal St
Christchurch
Tel: +64 (3) 260 5530
Fax: +64 (3) 260 5539
Freephone: 0800 121280
email: info@kingspanpanels.co.nz
www.kingspanpanels.co.nz

PARAPET VERGE WITH PANEL BEARER



| | | | |
|--|------------------|---------------|------------------|
| SYSTEM KS1000 EVO WALL HORIZONTAL_ Q1 2019 | | | |
| DESCRIPTION PARAPET VERGE WITH PANEL BEARER | | | |
| APPROVED BY JS | DATE 18.03.19 | REVISION - | |
| DRG REF: EVO_HS_18 | SCALE 1:3 | SHEET 24 | PAPER SIZE A4 |

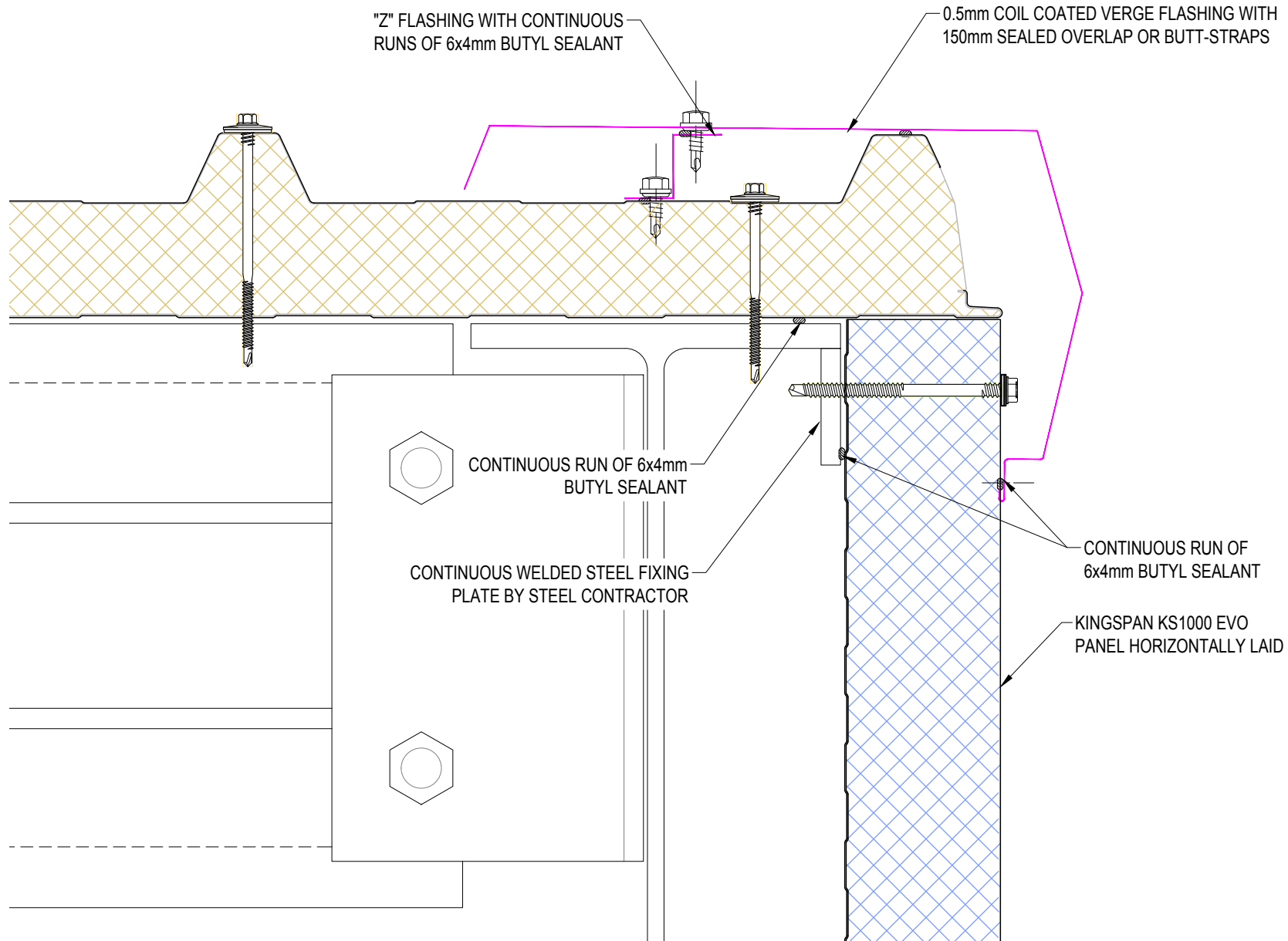
This document remains the property of Kingspan Ltd under copyright laws. Licence is granted to use this document and its contents in connection with Kingspan Ltd products only.
©Kingspan Ltd

DO NOT SCALE. IF IN DOUBT ASK

New Zealand: Kingspan Ltd
97 Montreal St
Christchurch
Tel: +64 (3) 260 5530
Fax: +64 (3) 260 5539
Freephone: 0800 121280
email: info@kingspanpanels.co.nz
www.kingspanpanels.co.nz



EVO WALL VERGE DETAIL (RW MALE EDGE)



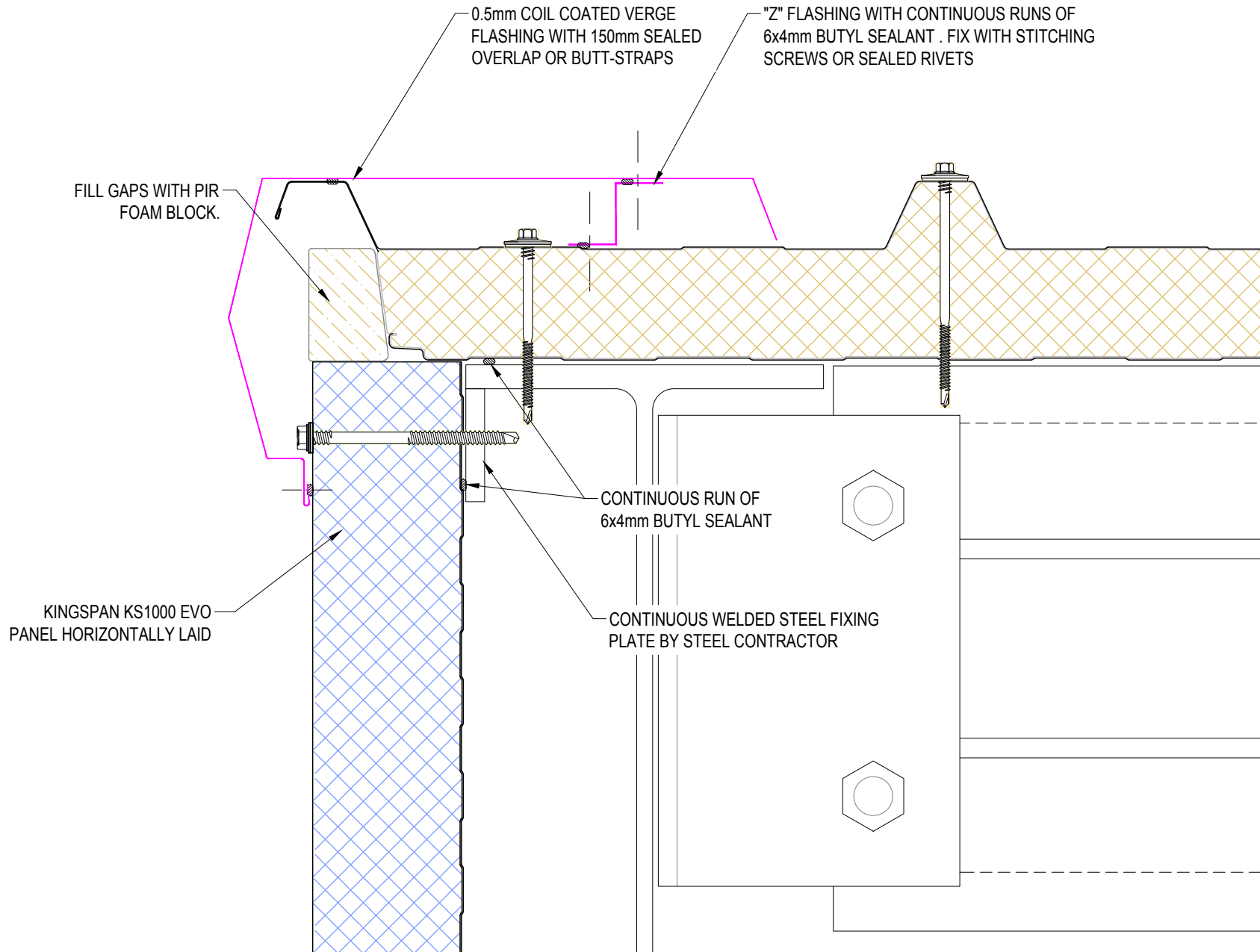
| | | | |
|---|------------------|---------------|------------------|
| SYSTEM KS1000 EVO WALL HORIZONTAL_ Q1 2019 | | | |
| DESCRIPTION EVO WALL VERGE DETAIL (RW MALE EDGE) | | | |
| APPROVED BY JS | DATE 18.03.19 | REVISION - | |
| DRG REF: EVO_HS_19 | SCALE 1:3 | SHEET 25 | PAPER SIZE A4 |

This document remains the property of Kingspan Ltd under copyright laws. Licence is granted to use this document and its contents in connection with Kingspan Ltd products only.
©Kingspan Ltd

DO NOT SCALE. IF IN DOUBT ASK

New Zealand: Kingspan Ltd
97 Montreal St
Christchurch
Tel: +64 (3) 260 5530
Fax: +64 (3) 260 5539
Freephone: 0800 121280
email: info@kingspanpanels.co.nz
www.kingspanpanels.co.nz

EVO WALL VERGE DETAIL (RW FEMALE EDGE)



| | | | |
|---|------------------|---------------|------------------|
| SYSTEM KS1000 EVO WALL HORIZONTAL_ Q1 2019 | | | |
| DESCRIPTION EVO WALL VERGE DETAIL (RW FEMALE EDGE) | | | |
| APPROVED BY JS | DATE 18.03.19 | REVISION - | |
| DRG REF: EVO_HS_20 | SCALE 1:3 | SHEET 26 | PAPER SIZE A4 |

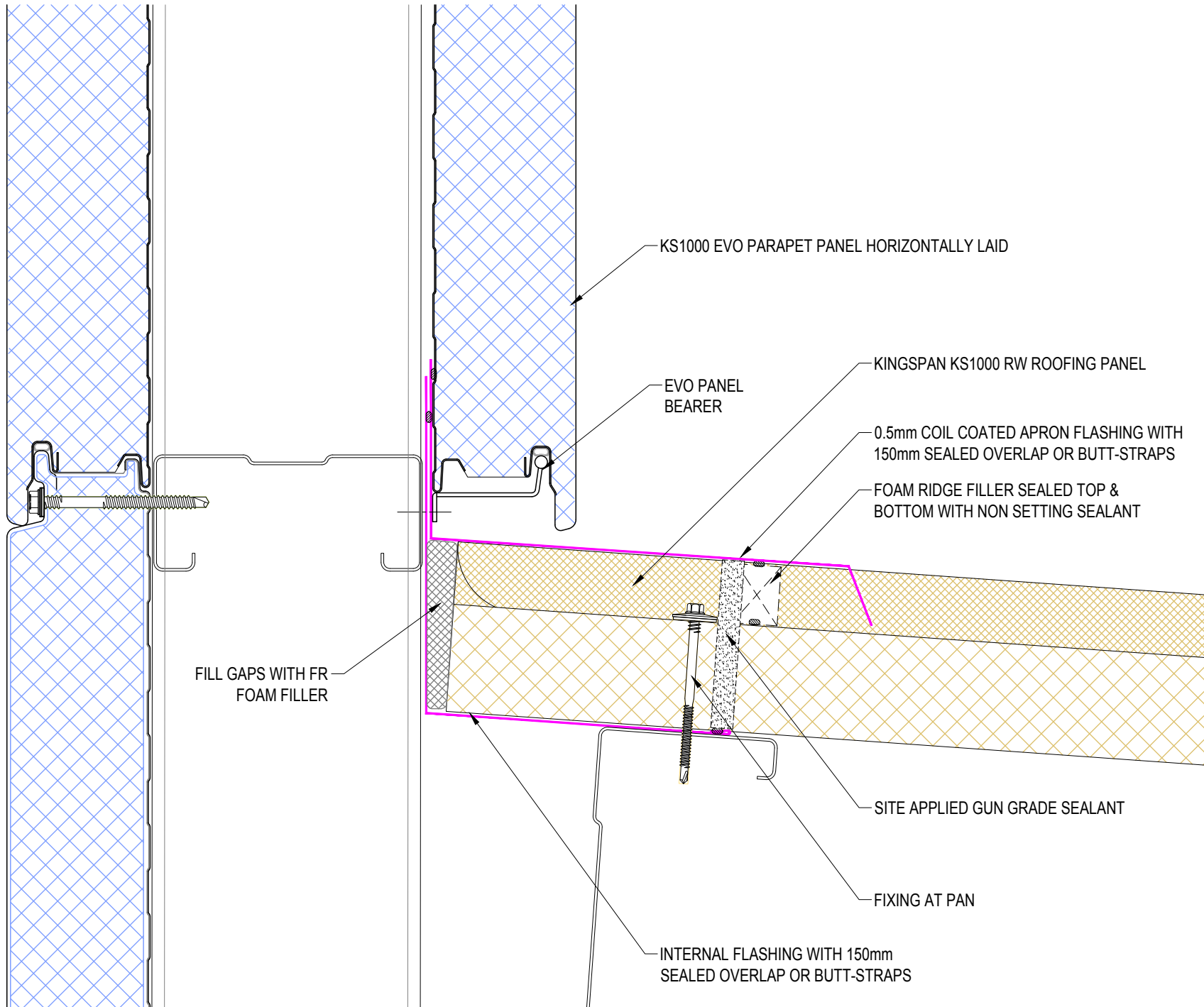
This document remains the property of Kingspan Ltd under copyright laws. Licence is granted to use this document and its contents in connection with Kingspan Ltd products only.
©Kingspan Ltd

DO NOT SCALE. IF IN DOUBT ASK

New Zealand: Kingspan Ltd
97 Montreal St
Christchurch
Tel: +64 (3) 260 5530
Fax: +64 (3) 260 5539
Freephone: 0800 121280
email: info@kingspanpanels.co.nz
www.kingspanpanels.co.nz



EVO WALL SKILLION DETAIL (PANEL BEARER)



| | | | |
|--|------------------|---------------|------------------|
| SYSTEM KS1000 EVO WALL HORIZONTAL_ Q1 2019 | | | |
| DESCRIPTION EVO WALL SKILLION DETAIL (PANEL BEARER) | | | |
| APPROVED BY JS | DATE 18.03.19 | REVISION - | |
| DRG REF: EVO_HS_21 | SCALE 1:3 | SHEET 27 | PAPER SIZE A4 |

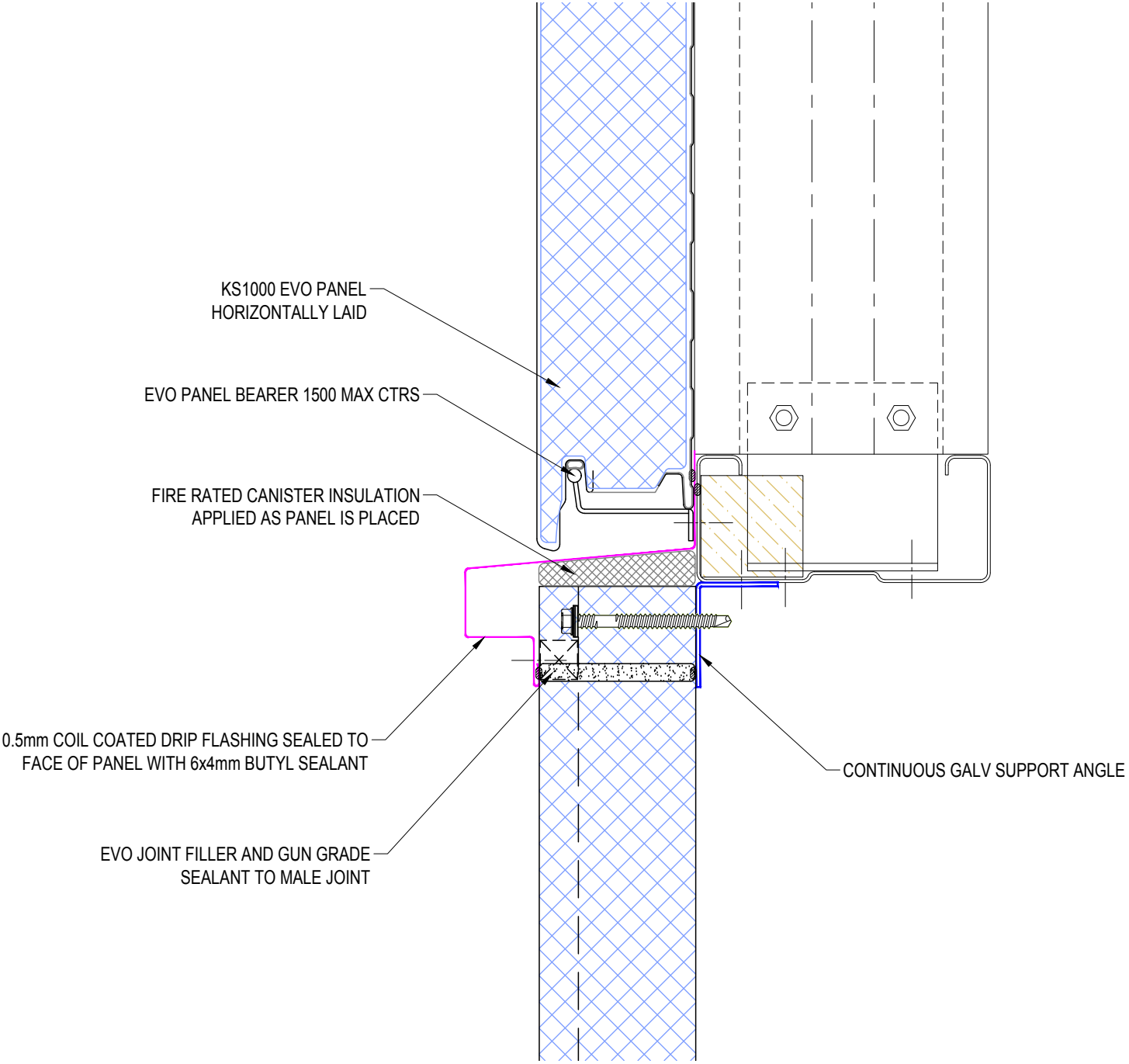
This document remains the property of Kingspan Ltd under copyright laws. Licence is granted to use this document and its contents in connection with Kingspan Ltd products only.
©Kingspan Ltd

DO NOT SCALE. IF IN DOUBT ASK

New Zealand: Kingspan Ltd
97 Montreal St
Christchurch
Tel: +64 (3) 260 5530
Fax: +64 (3) 260 5539
Freephone: 0800 121280
email: info@kingspanpanels.co.nz
www.kingspanpanels.co.nz



KS1000 EVO WALL HORIZONTAL TO VERTICAL STACK JOINT DETAIL (PANEL BEARER)



| | | | |
|---|------------------|---------------|------------------|
| SYSTEM KS1000 EVO WALL HORIZONTAL_Q1 2019 | | | |
| DESCRIPTION KS1000 EVO WALL HORIZONTAL TO VERTICAL STACK JOINT DETAIL (PANEL BEARER) | | | |
| APPROVED BY JS | DATE 18.03.19 | REVISION - | |
| DRG REF: EVO_HS_22 | SCALE 1:5 | SHEET 28 | PAPER SIZE A4 |

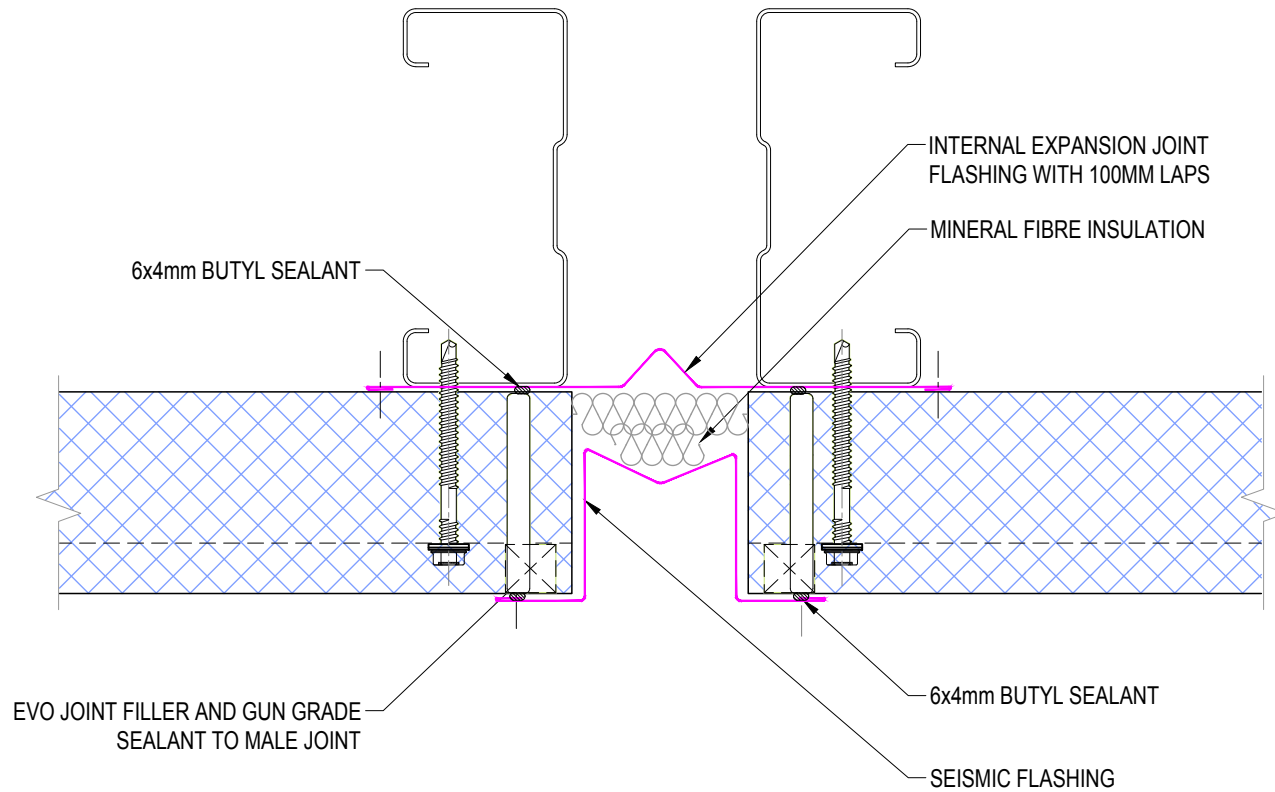
This document remains the property of Kingspan Ltd under copyright laws. Licence is granted to use this document and its contents in connection with Kingspan Ltd products only.
©Kingspan Ltd

DO NOT SCALE. IF IN DOUBT ASK

New Zealand: Kingspan Ltd
97 Montreal St
Christchurch
Tel: +64 (3) 260 5530
Fax: +64 (3) 260 5539
Freephone: 0800 121280
email: info@kingspanpanels.co.nz
www.kingspanpanels.co.nz



KS1000 EVO WALL SEISMIC JOINT DETAIL



| | | | |
|---|------------------|---------------|------------------|
| SYSTEM KS1000 EVO WALL HORIZONTAL_ Q1 2019 | | | |
| DESCRIPTION KS1000 EVO WALL SEISMIC JOINT DETAIL | | | |
| APPROVED BY JS | DATE 18.03.19 | REVISION - | |
| DRG REF: EVO_HS_22 a | SCALE 1:2 | SHEET 29 | PAPER SIZE A4 |

This document remains the property of Kingspan Ltd under copyright laws. Licence is granted to use this document and its contents in connection with Kingspan Ltd products only.
©Kingspan Ltd

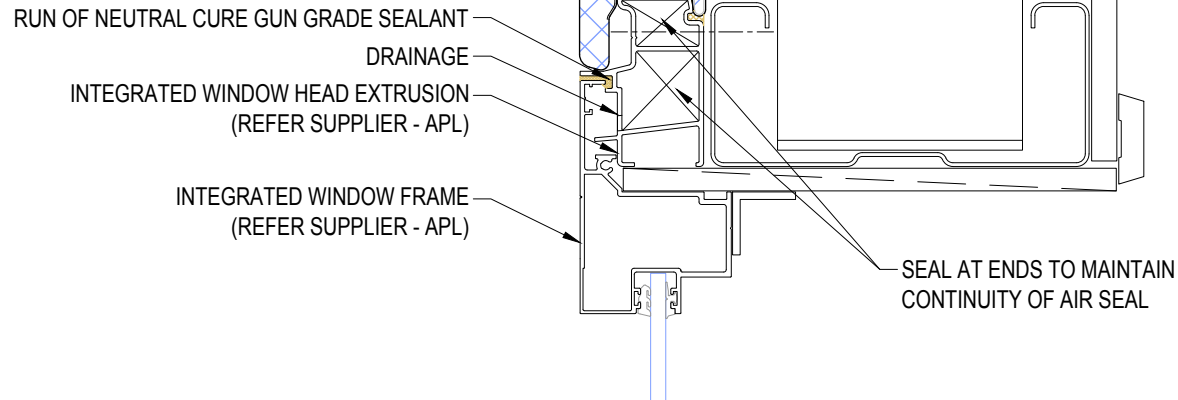
DO NOT SCALE. IF IN DOUBT ASK

New Zealand: Kingspan Ltd
97 Montreal St
Christchurch
Tel: +64 (3) 260 5530
Fax: +64 (3) 260 5539
Freephone: 0800 121280
email: info@kingspanpanels.co.nz
www.kingspanpanels.co.nz

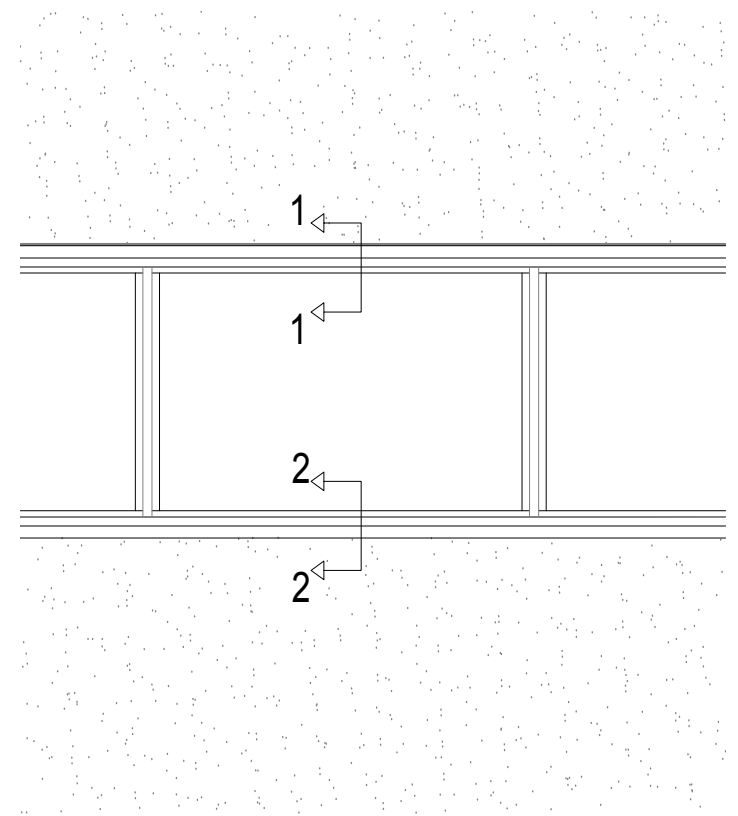
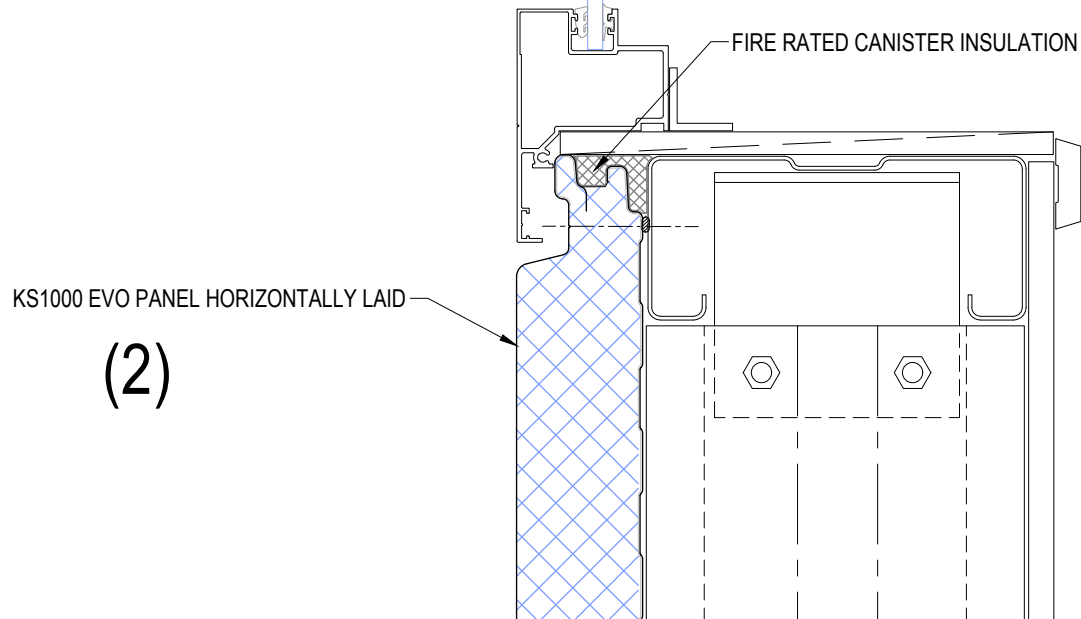


EVO WALL: INTEGRATED HORIZONTAL WINDOW DETAIL - 50MM ONLY (VERTICAL SECTION)

(1)



(2)



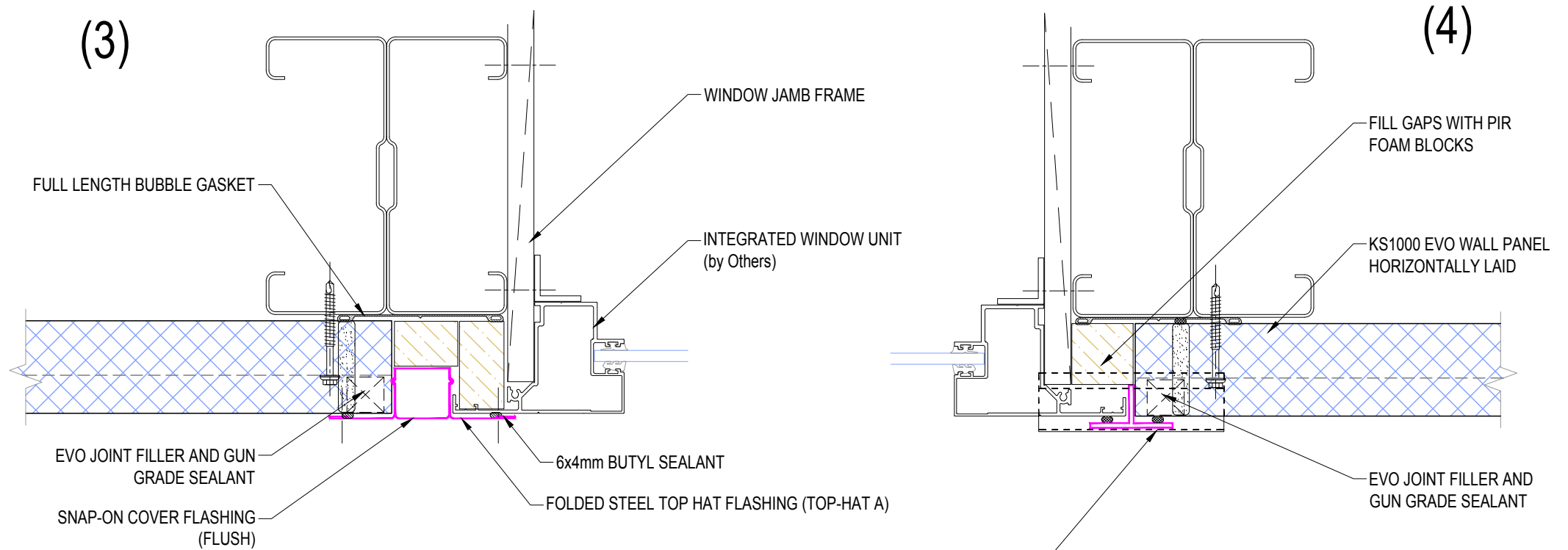
| | | | |
|---|------------------|---------------|------------------|
| SYSTEM KS1000 EVO WALL HORIZONTAL_Q1 2019 | | | |
| DESCRIPTION EVO WALL: INTEGRATED HORIZONTAL WINDOW DETAIL - 50mm ONLY (VERTICAL SECTION) | | | |
| APPROVED BY JS | DATE 18.03.19 | REVISION - | |
| DRG REF: EVO_HS_23 | SCALE 1:5 | SHEET 30 | PAPER SIZE A4 |

This document remains the property of Kingspan Ltd under copyright laws. Licence is granted to use this document and its contents in connection with Kingspan Ltd products only.
©Kingspan Ltd

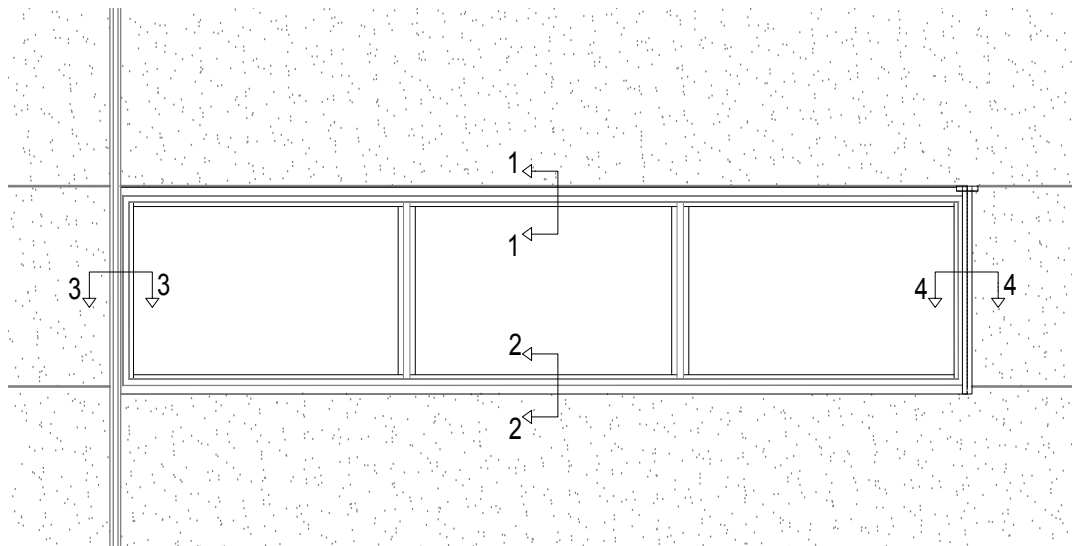
DO NOT SCALE. IF IN DOUBT ASK

New Zealand: Kingspan Ltd
97 Montreal St
Christchurch
Tel: +64 (3) 260 5530
Fax: +64 (3) 260 5539
Freephone: 0800 121280
email: info@kingspanpanels.co.nz
www.kingspanpanels.co.nz

EVO WALL PANEL: INTEGRATED HORIZONTAL WINDOW SECTION DETAIL - 50MM ONLY



ALUMINIUM T SECTION FIXED TO JOINERY. RAIN DIVERTER FLASHING FIXED TO PANEL ABOVE



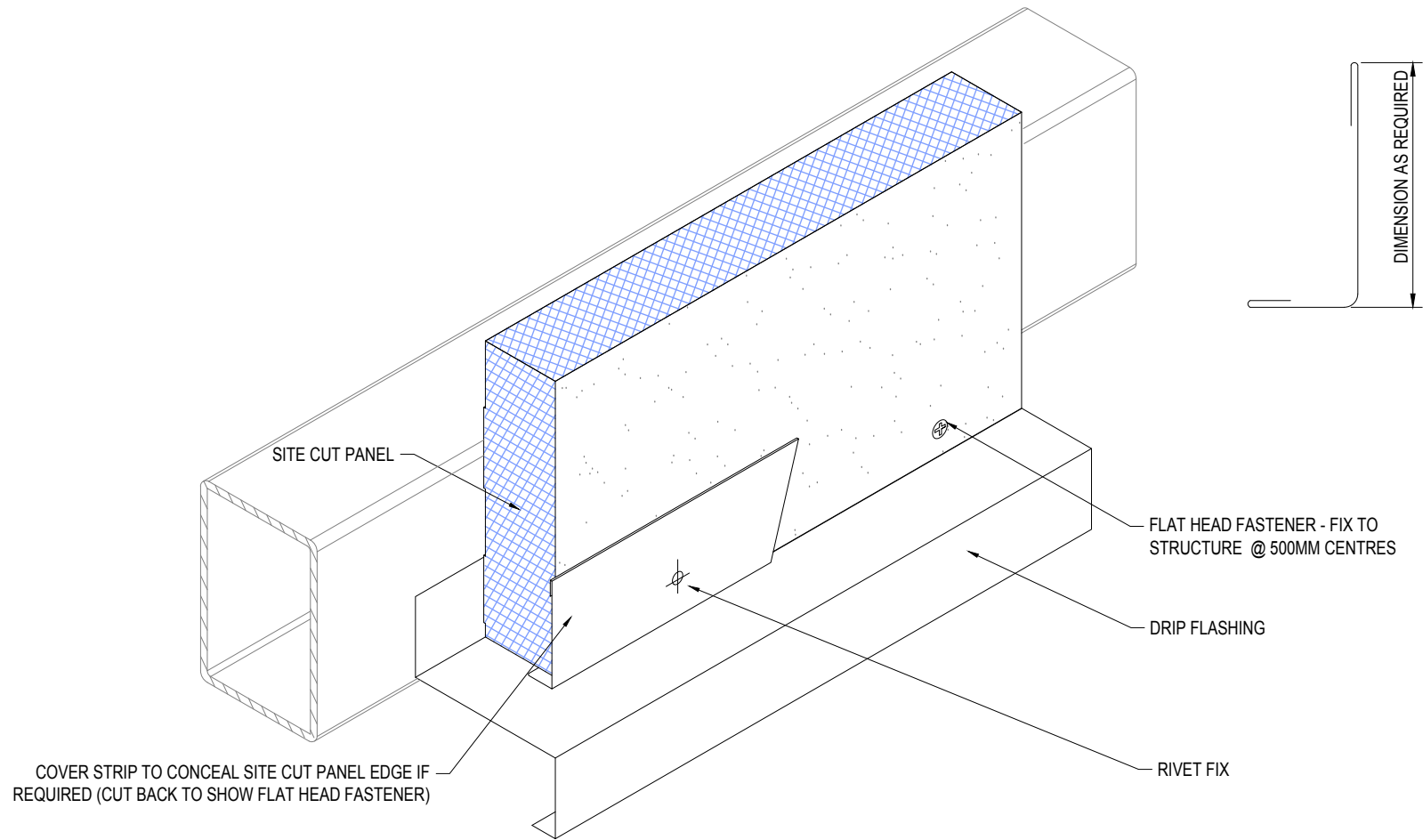
| | | | |
|--|------------------|---------------|------------------|
| SYSTEM KS1000 EVO WALL HORIZONTAL_Q1 2019 | | | |
| DESCRIPTION EVO WALL PANEL: INTEGRATED HORIZONTAL WINDOW SECTION DETAIL - 50mm ONLY | | | |
| APPROVED BY JS | DATE 18.03.19 | REVISION - | |
| DRG REF: EVO_HS_23a | SCALE NTS | SHEET 31 | PAPER SIZE A4 |

This document remains the property of Kingspan Ltd under copyright laws. Licence is granted to use this document and its contents in connection with Kingspan Ltd products only.
©Kingspan Ltd

DO NOT SCALE. IF IN DOUBT ASK

New Zealand: Kingspan Ltd
97 Montreal St
Christchurch
Tel: +64 (3) 260 5530
Fax: +64 (3) 260 5539
Freephone: 0800 121280
email: info@kingspanpanels.co.nz
www.kingspanpanels.co.nz

SITE CUT PANEL DETAIL



| | | | |
|--|------------------|---------------|------------------|
| SYSTEM KS1000 EVO WALL HORIZONTAL_Q1 2019 | | | |
| DESCRIPTION SITE CUT PANEL DETAIL | | | |
| APPROVED BY JS | DATE 18.03.19 | REVISION - | |
| DRG REF: EVO_HS_24 | SCALE NTS | SHEET 32 | PAPER SIZE A4 |

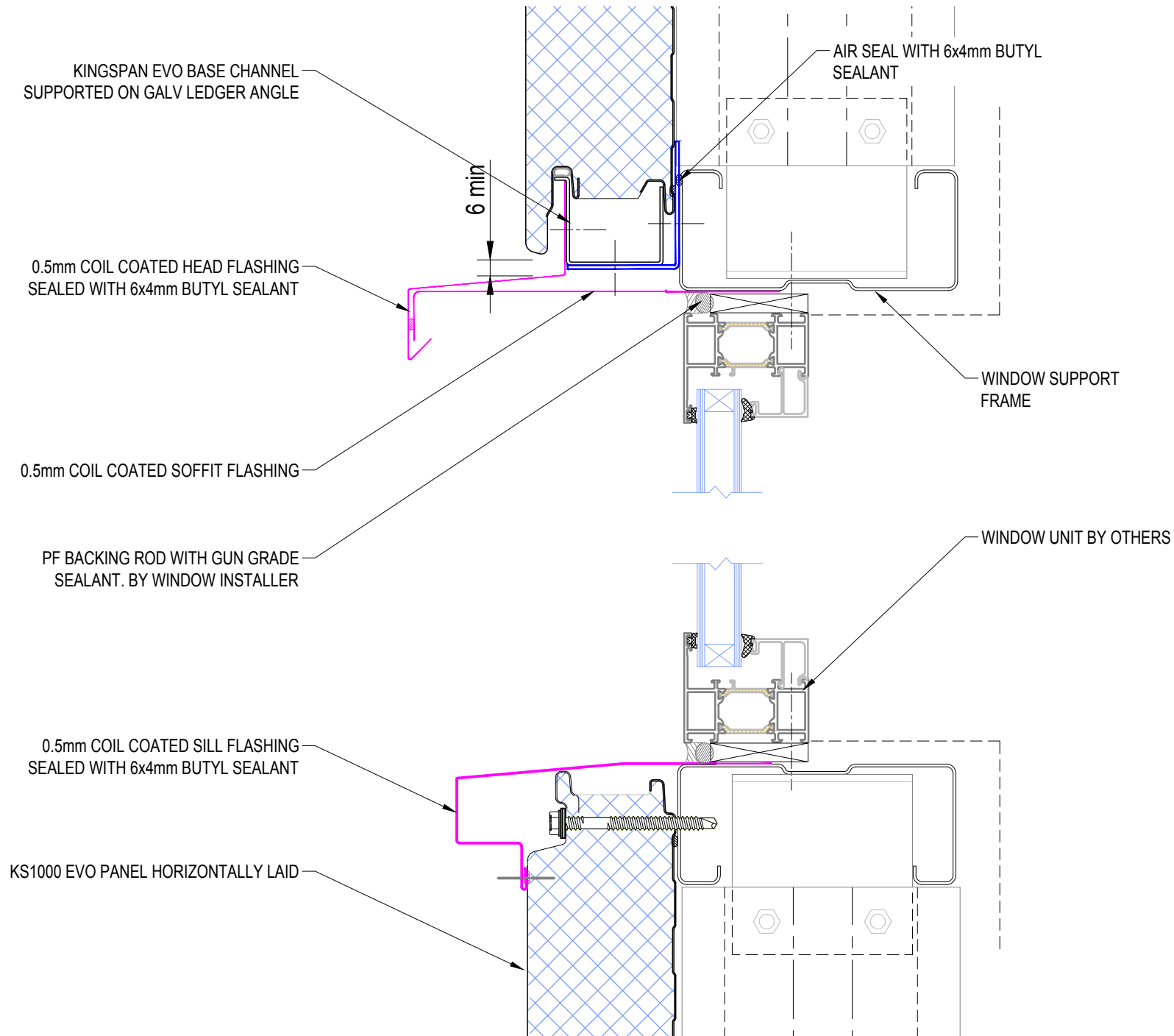
This document remains the property of Kingspan Ltd under copyright laws. Licence is granted to use this document and its contents in connection with Kingspan Ltd products only.
©Kingspan Ltd

DO NOT SCALE. IF IN DOUBT ASK

New Zealand: Kingspan Ltd
97 Montreal St
Christchurch
Tel: +64 (3) 260 5530
Fax: +64 (3) 260 5539
Freephone: 0800 121280
email: info@kingspanpanels.co.nz
www.kingspanpanels.co.nz



EVO WALL WINDOW DETAIL (BASE CHANNEL)



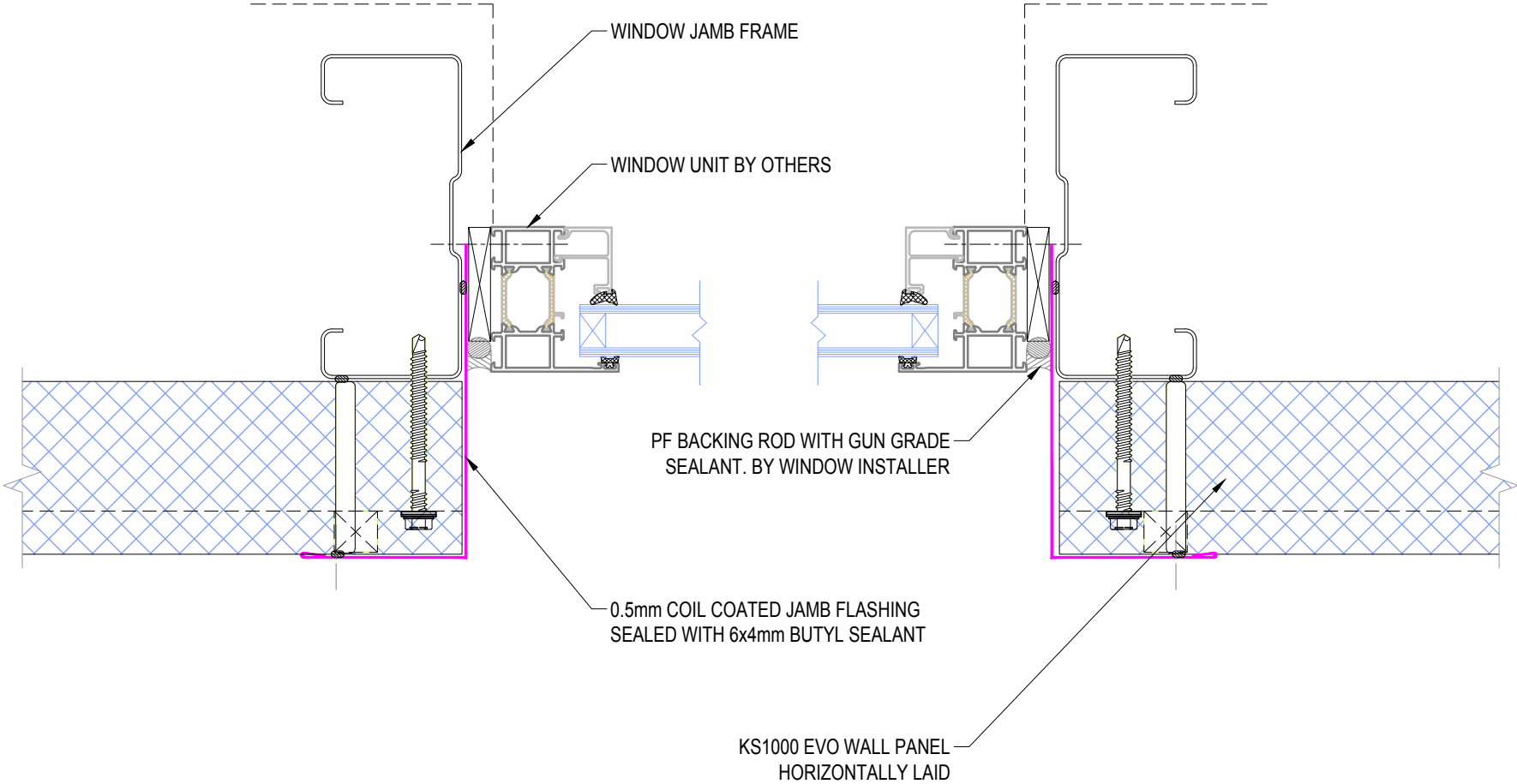
| | | | |
|--|------------------|---------------|------------------|
| SYSTEM KS1000 EVO WALL HORIZONTAL_Q1 2019 | | | |
| DESCRIPTION EVO WALL WINDOW DETAIL (Base Channel) | | | |
| APPROVED BY JS | DATE 18.03.19 | REVISION - | |
| DRG REF: EVO_HS_25 | SCALE 1:2 | SHEET 33 | PAPER SIZE A4 |

This document remains the property of Kingspan Ltd under copyright laws. Licence is granted to use this document and its contents in connection with Kingspan Ltd products only.
©Kingspan Ltd

DO NOT SCALE. IF IN DOUBT ASK

New Zealand: Kingspan Ltd
97 Montreal St
Christchurch
Tel: +64 (3) 260 5530
Fax: +64 (3) 260 5539
Freephone: 0800 121280
email: info@kingspanpanels.co.nz
www.kingspanpanels.co.nz

EVO WALL WINDOW DETAIL (HORIZONTAL SECTION)



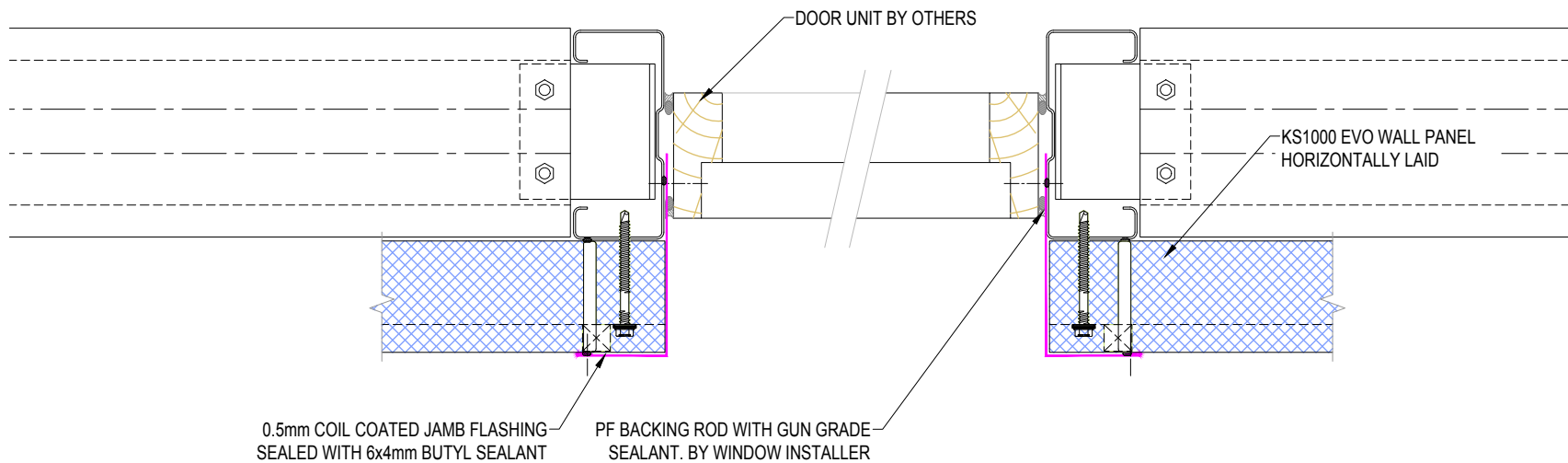
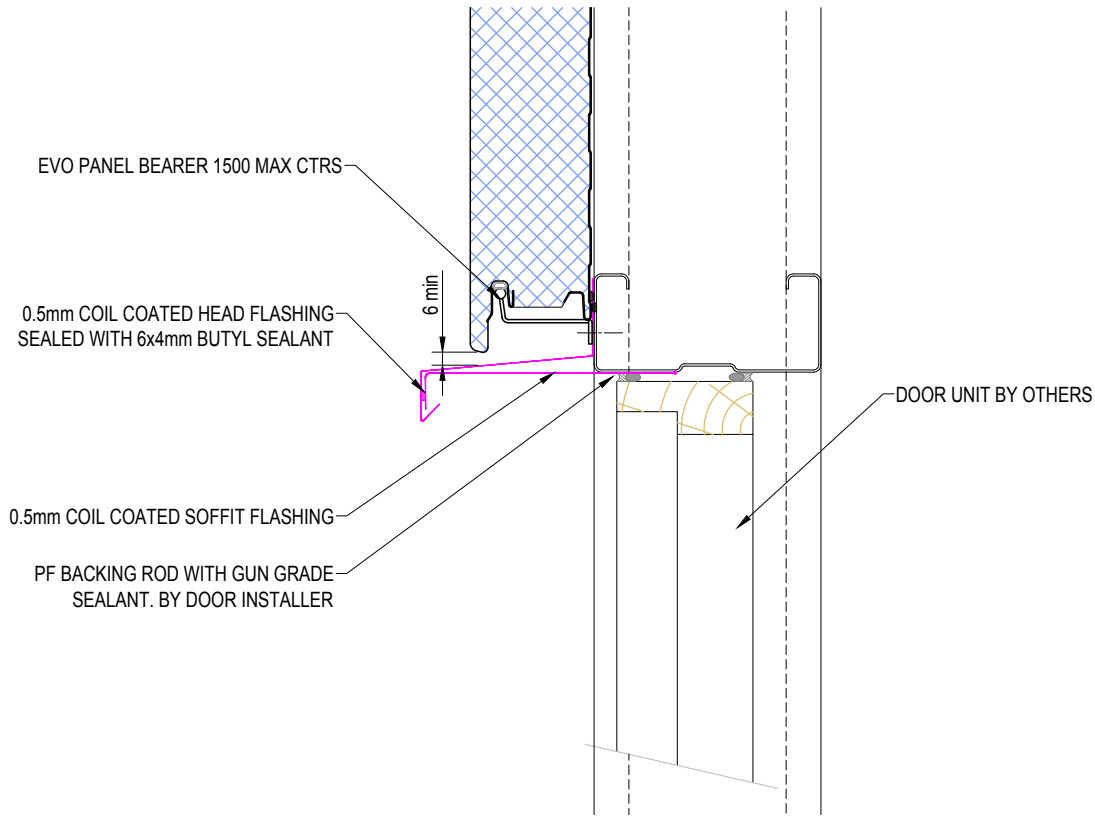
| | | | |
|--|------------------|---------------|------------------|
| SYSTEM KS1000 EVO WALL HORIZONTAL_ Q1 2019 | | | |
| DESCRIPTION EVO WALL WINDOW DETAIL (horizontal section) | | | |
| APPROVED BY JS | DATE 18.03.19 | REVISION - | |
| DRG REF: EVO_HS_25a | SCALE 1:2 | SHEET 34 | PAPER SIZE A4 |

This document remains the property of Kingspan Ltd under copyright laws. Licence is granted to use this document and its contents in connection with Kingspan Ltd products only.
©Kingspan Ltd

DO NOT SCALE. IF IN DOUBT ASK

New Zealand: Kingspan Ltd
97 Montreal St
Christchurch
Tel: +64 (3) 260 5530
Fax: +64 (3) 260 5539
Freephone: 0800 121280
email: info@kingspanpanels.co.nz
www.kingspanpanels.co.nz

EVO WALL PERSONNEL DOOR DETAIL (PANEL BEARER)



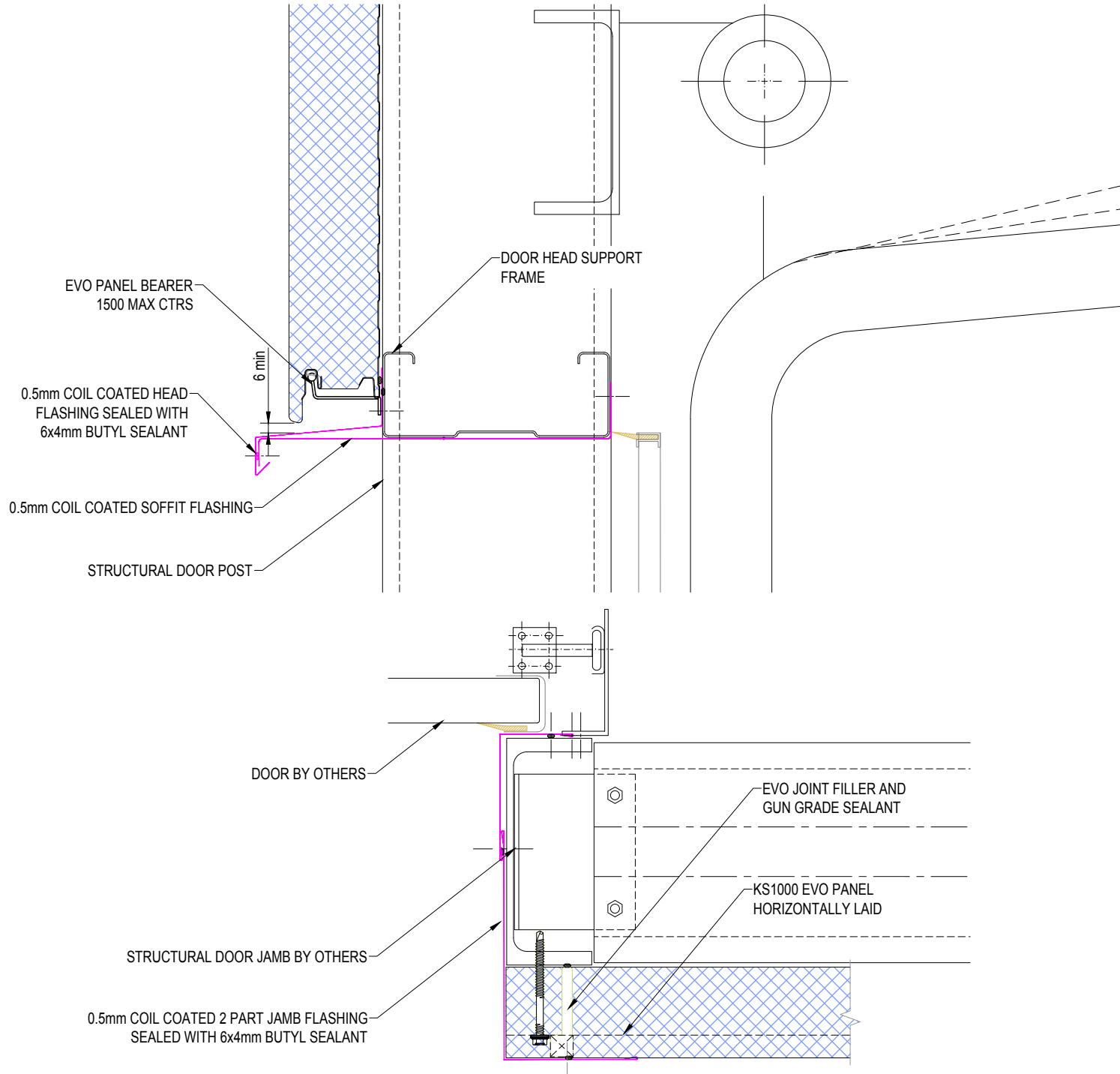
| | | | |
|---|------------------|---------------|------------------|
| SYSTEM KS1000 EVO WALL HORIZONTAL_ Q1 2019 | | | |
| DESCRIPTION EVO WALL PERSONNEL DOOR DETAIL (PANEL BEARER) | | | |
| APPROVED BY JS | DATE 18.03.19 | REVISION - | |
| DRG REF: EVO_HS_26 | SCALE 1:5 | SHEET 35 | PAPER SIZE A4 |

This document remains the property of Kingspan Ltd under copyright laws. Licence is granted to use this document and its contents in connection with Kingspan Ltd products only.
©Kingspan Ltd

DO NOT SCALE. IF IN DOUBT ASK

New Zealand: Kingspan Ltd
97 Montreal St
Christchurch
Tel: +64 (3) 260 5530
Fax: +64 (3) 260 5539
Freephone: 0800 121280
email: info@kingspanpanels.co.nz
www.kingspanpanels.co.nz

EVO WALL OVER HEAD DOOR DETAIL (PANEL BEARER)



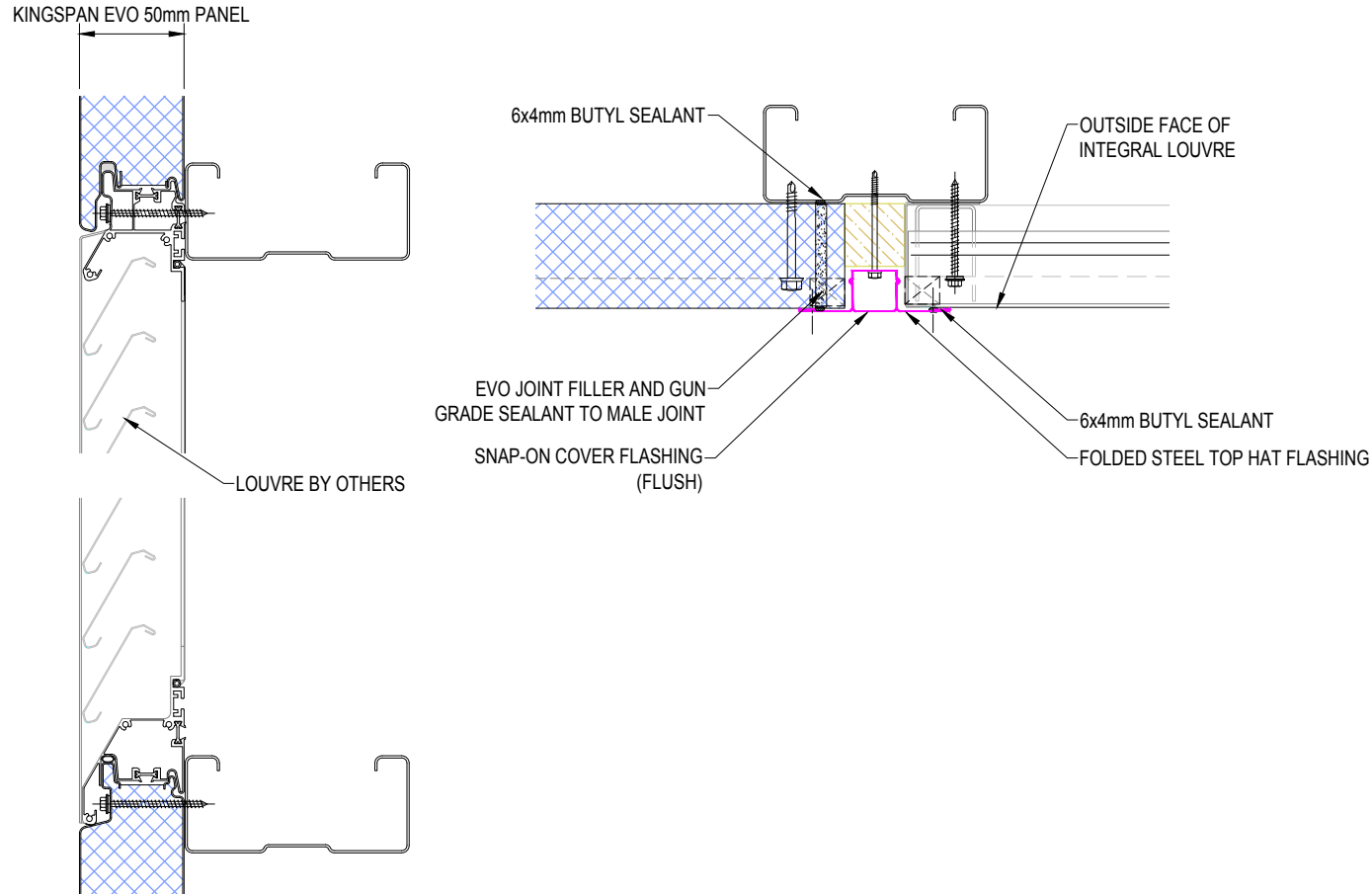
| | | | |
|---|------------------|---------------|------------------|
| SYSTEM KS1000 EVO WALL HORIZONTAL_Q1 2019 | | | |
| DESCRIPTION EVO WALL OVER HEAD DOOR DETAIL (Panel Bearer) | | | |
| APPROVED BY JS | DATE 18.03.19 | REVISION - | |
| DRG REF: EVO_HS_27 | SCALE 1:5 | SHEET 36 | PAPER SIZE A4 |

This document remains the property of Kingspan Ltd under copyright laws. Licence is granted to use this document and its contents in connection with Kingspan Ltd products only.
©Kingspan Ltd

DO NOT SCALE. IF IN DOUBT ASK

New Zealand: Kingspan Ltd
97 Montreal St
Christchurch
Tel: +64 (3) 260 5530
Fax: +64 (3) 260 5539
Freephone: 0800 121280
email: info@kingspanpanels.co.nz
www.kingspanpanels.co.nz

EVO WALL INTEGRATED LOUVRE DETAIL



| | | | |
|---|------------------|---------------|------------------|
| SYSTEM KS1000 EVO WALL HORIZONTAL_Q1 2019 | | | |
| DESCRIPTION EVO WALL INTEGRATED LOUVRE DETAIL | | | |
| APPROVED BY JS | DATE 18.03.19 | REVISION - | |
| DRG REF: EVO_HS_28 | SCALE 1:5 | SHEET 37 | PAPER SIZE A4 |

This document remains the property of Kingspan Ltd under copyright laws. Licence is granted to use this document and its contents in connection with Kingspan Ltd products only.
©Kingspan Ltd

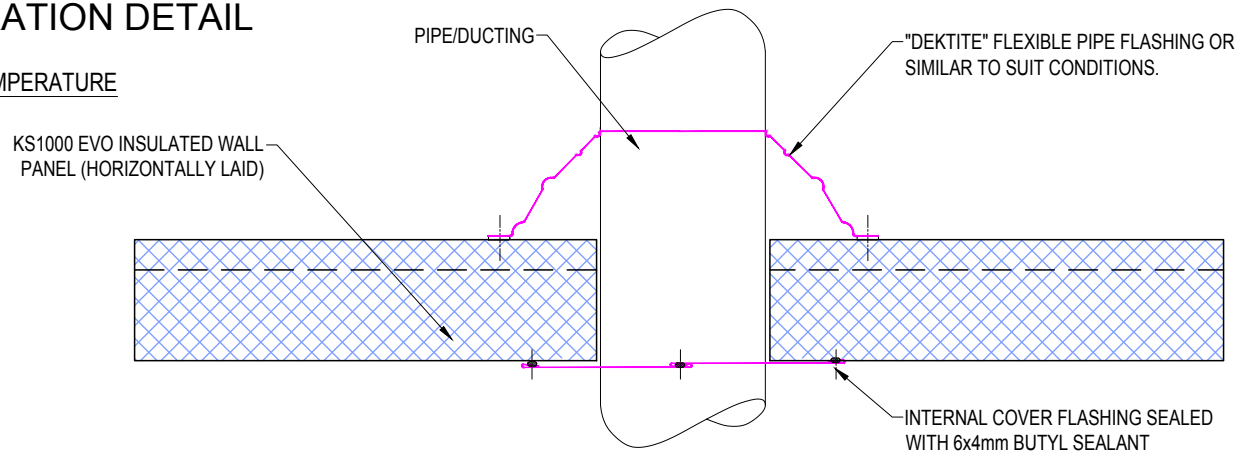
DO NOT SCALE. IF IN DOUBT ASK

New Zealand: Kingspan Ltd
97 Montreal St
Christchurch
Tel: +64 (3) 260 5530
Fax: +64 (3) 260 5539
Freephone: 0800 121280
email: info@kingspanpanels.co.nz
www.kingspanpanels.co.nz

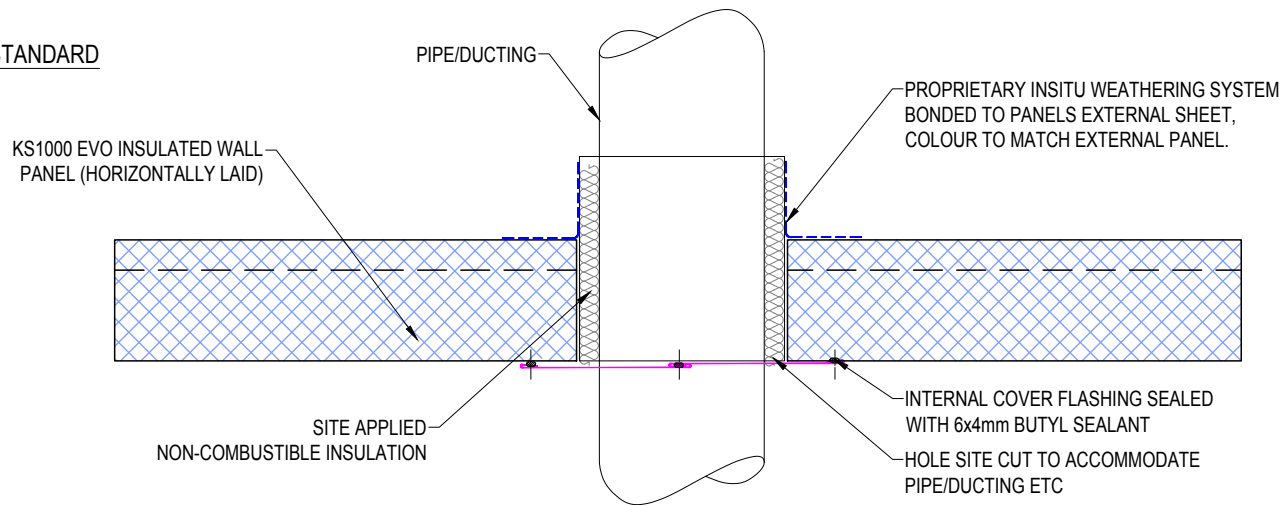


EVO WALL PENETRATION DETAIL

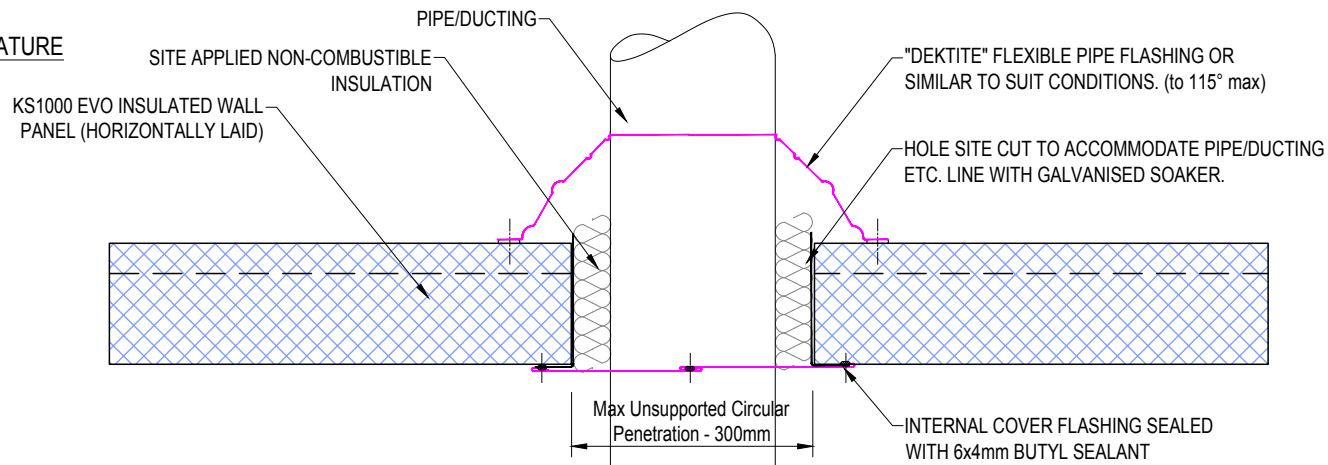
STANDARD TEMPERATURE



ALTERNATIVE STANDARD TEMPERATURE



HIGH TEMPERATURE



| | | | |
|--|------------------|---------------|------------------|
| SYSTEM KS1000 EVO WALL HORIZONTAL_Q1 2019 | | | |
| DESCRIPTION EVO WALL PENETRATION DETAIL | | | |
| APPROVED BY JS | DATE 18.03.19 | REVISION - | |
| DRG REF: EVO_HS_29 | SCALE 1:5 | SHEET 38 | PAPER SIZE A4 |

This document remains the property of Kingspan Ltd under copyright laws. Licence is granted to use this document and its contents in connection with Kingspan Ltd products only.
©Kingspan Ltd

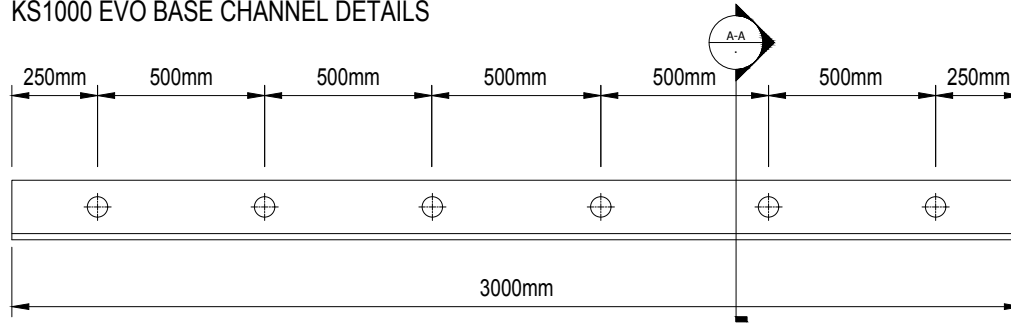
DO NOT SCALE. IF IN DOUBT ASK

New Zealand: Kingspan Ltd
97 Montreal St
Christchurch
Tel: +64 (3) 260 5530
Fax: +64 (3) 260 5539
Freephone: 0800 121280
email: info@kingspanpanels.co.nz
www.kingspanpanels.co.nz



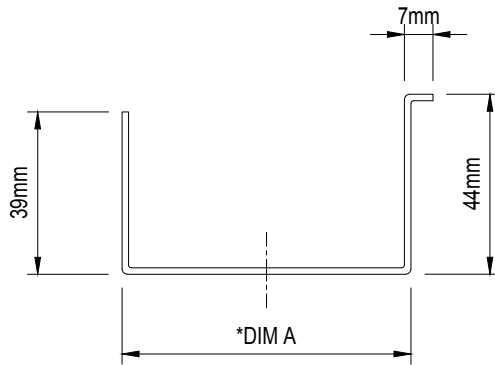
EVO WALL BASE CHANNEL SUPPORT DETAIL

KS1000 EVO BASE CHANNEL DETAILS

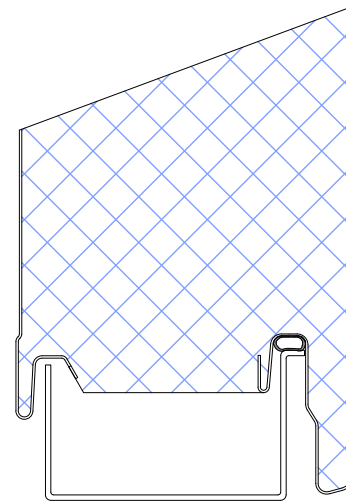


PLAN OF CHANNEL AND FIXING

POSITIONS



CROSS SECTION A-A



RELATION WITH PANEL

| Available panel thicknesses | Dim "A" | Product code |
|-----------------------------|---------|--------------|
| 50 EVO | 21mm | BC 50 |
| 80 EVO | 51mm | BC 80 |
| 100 EVO | 71mm | BC 100 |
| 140 EVO | 111mm | BC 140 |

NOTE : ABOVE DIMENSIONS ARE THEORETICAL, ACTUAL DIMENSIONS WILL VARY DUE TO MANUFACTURING TOLERANCES.
ALL DIMENSIONS ABOVE ARE IN MILLIMETERS.

BASE CHANNEL FIXED AT MAX 500mm CENTRES AS SHOWN ABOVE.
BASE CHANNEL TO BE CONTINUOUS AND SILICONE SEALED WHERE JOINTED.

MATERIAL : 1.6mm THICK GALVANIZED STEEL

| | | | |
|--|------------------|---------------|------------------|
| SYSTEM KS1000 EVO WALL HORIZONTAL_ Q1 2019 | | | |
| DESCRIPTION EVO WALL BASE CHANNEL SUPPORT DETAIL | | | |
| APPROVED BY JS | DATE 18.03.19 | REVISION - | |
| DRG REF: EVO_HS_30 | SCALE N.T.S | SHEET 39 | PAPER SIZE A4 |

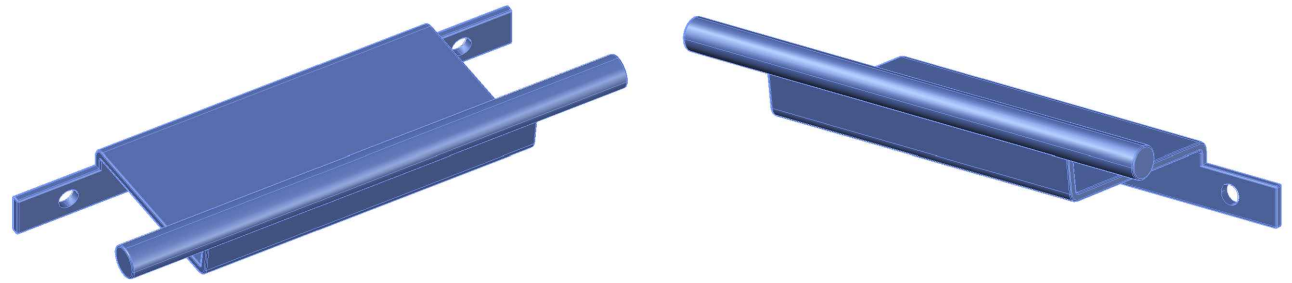
This document remains the property of Kingspan Ltd under copyright laws. Licence is granted to use this document and its contents in connection with Kingspan Ltd products only.
©Kingspan Ltd

DO NOT SCALE. IF IN DOUBT ASK

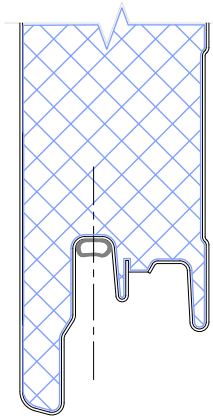
New Zealand: Kingspan Ltd
97 Montreal St
Christchurch
Tel: +64 (3) 260 5530
Fax: +64 (3) 260 5539
Freephone: 0800 121280
email: info@kingspanpanels.co.nz
www.kingspanpanels.co.nz

Kingspan.
Insulated Panels

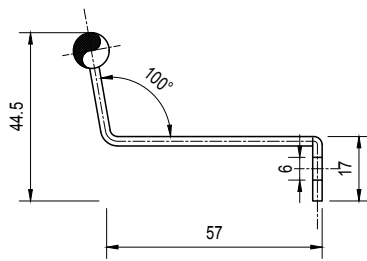
EVO WALL PANEL BEARER DETAIL



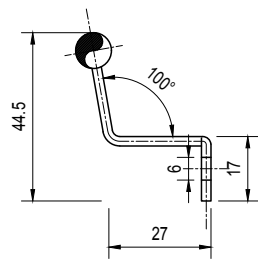
KS1000 EVO 50mm
FEMALE JOINT



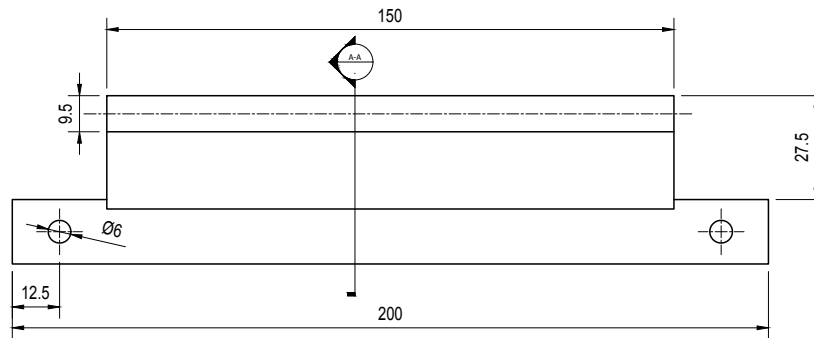
KINGSPAN 50mm & 80mm AUSTRALIAN
EVO PANEL BEARER DETAILS



SECTION A-A (80mm EVO)



SECTION A-A (50mm EVO)



ALL DIMENSIONS IN MILLIMETRES
PANEL BEARER FIXING CENTRES 1500 mm MAX
ONE NUMBER PANEL BEARER LOCATED AT EACH END OF PANEL

| | | | |
|--|------------------|---------------|------------------|
| SYSTEM KS1000 EVO WALL HORIZONTAL_Q1 2019 | | | |
| DESCRIPTION EVO WALL PANEL BEARER DETAIL | | | |
| APPROVED BY JS | DATE 18.03.19 | REVISION - | |
| DRG REF: EVO_HS_30a | SCALE 1:2 | SHEET 40 | PAPER SIZE A4 |

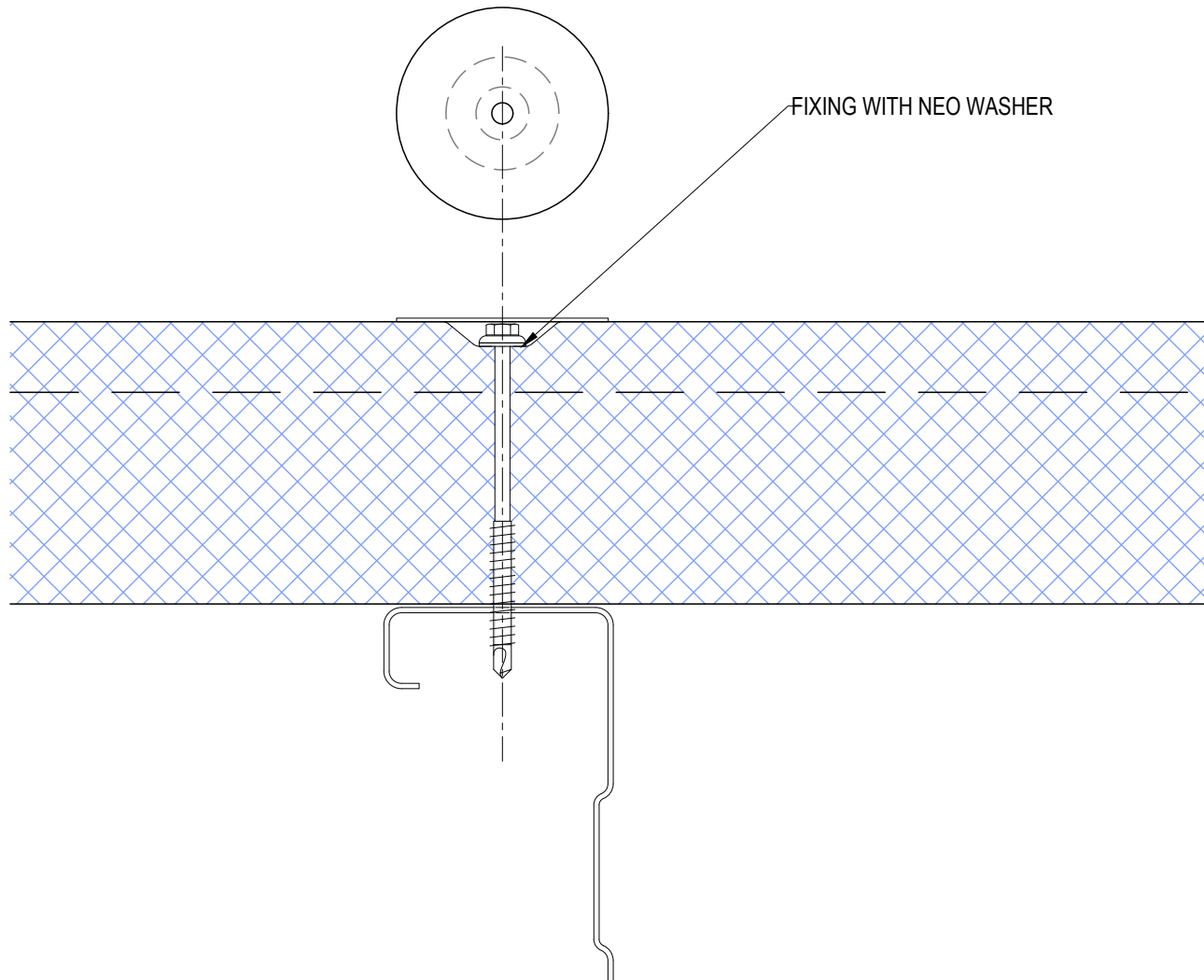
This document remains the property of Kingspan Ltd under copyright laws. Licence is granted to use this document and its contents in connection with Kingspan Ltd products only.
©Kingspan Ltd

DO NOT SCALE. IF IN DOUBT ASK

New Zealand: Kingspan Ltd
97 Montreal St
Christchurch
Tel: +64 (3) 260 5530
Fax: +64 (3) 260 5539
Freephone: 0800 121280
email: info@kingspanpanels.co.nz
www.kingspanpanels.co.nz



EVO WALL RECESSED WASHER DETAIL (RECW09G)



| | | | |
|---|------------------|---------------|------------------|
| SYSTEM KS1000 EVO WALL HORIZONTAL_ Q1 2019 | | | |
| DESCRIPTION EVO WALL RECESSED WASHER DETAIL (RECW09G) | | | |
| APPROVED BY JS | DATE 18.03.19 | REVISION - | |
| DRG REF: EVO_HS_31 | SCALE 1:2 | SHEET 41 | PAPER SIZE A4 |

This document remains the property of Kingspan Ltd under copyright laws. Licence is granted to use this document and its contents in connection with Kingspan Ltd products only.
©Kingspan Ltd

DO NOT SCALE. IF IN DOUBT ASK

New Zealand: Kingspan Ltd
97 Montreal St
Christchurch
Tel: +64 (3) 260 5530
Fax: +64 (3) 260 5539
Freephone: 0800 121280
email: info@kingspanpanels.co.nz
www.kingspanpanels.co.nz

