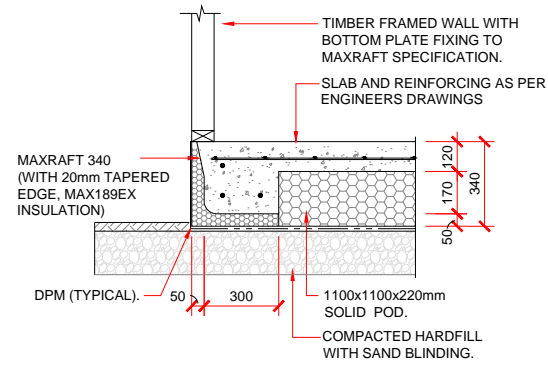
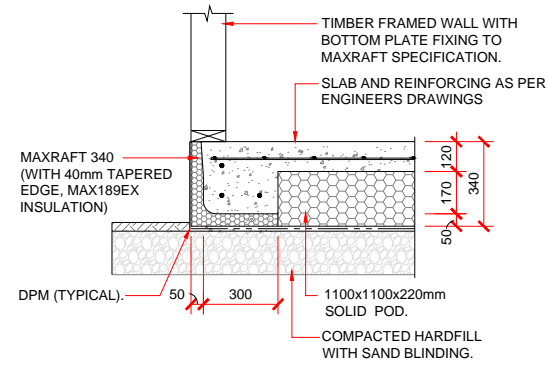


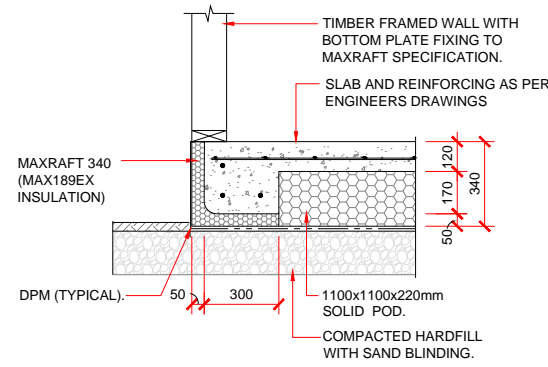
120mm CONCRETE + 220mm SOLID PODS



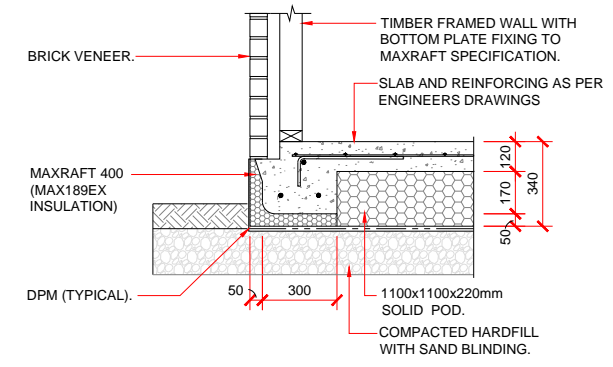
EXTERNAL FOOTING DETAIL  
20mm TAPERED - 90mm/140mm FRAMING



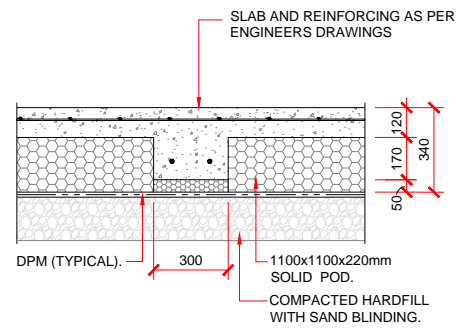
EXTERNAL FOOTING DETAIL  
40mm TAPERED - 140mm FRAMING



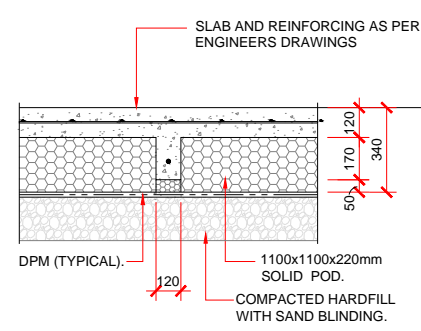
EXTERNAL FOOTING DETAIL  
50mm STRAIGHT - 140mm FRAMING



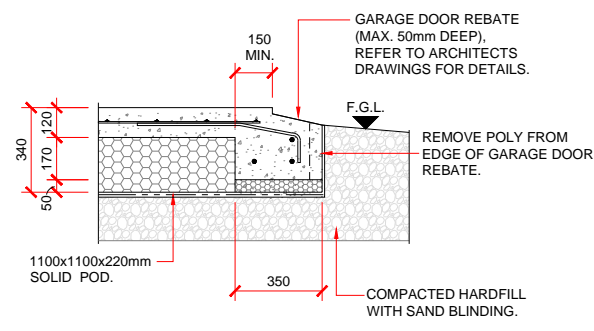
BRICK / STONE VENEER  
REBATE DETAIL



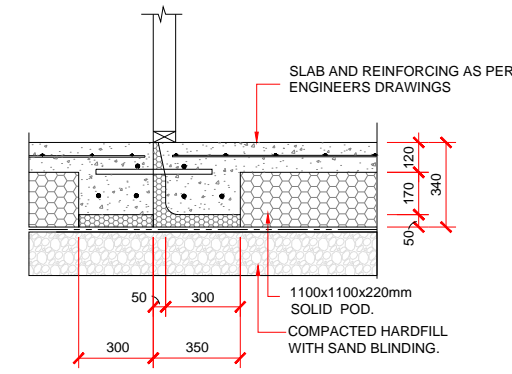
INTERNAL FOOTING DETAIL



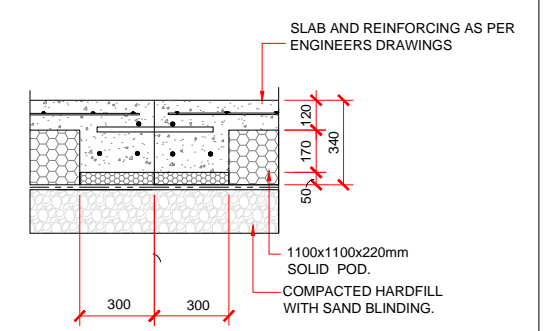
INTERNAL RIB DETAIL



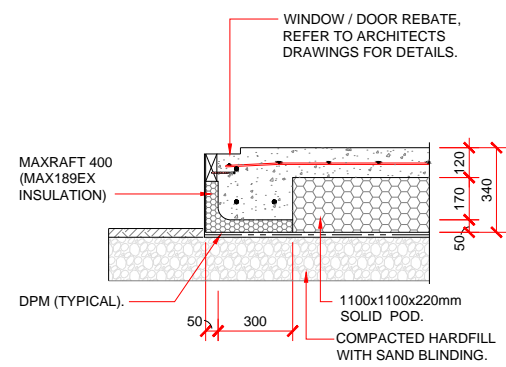
GARAGE DOOR REBATE DETAIL



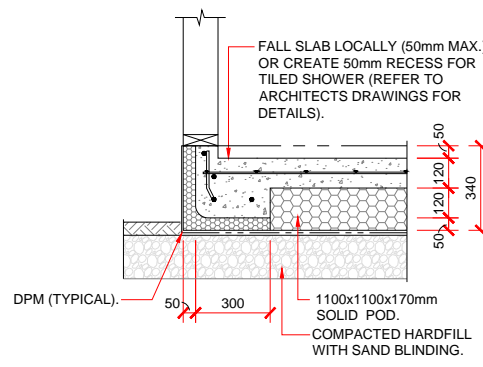
THERMAL BREAK



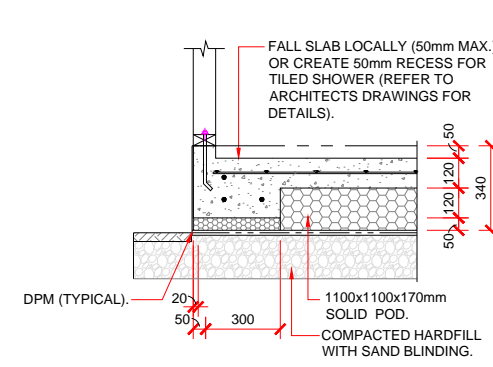
FREE JOINT / CONTROL JOINT DETAIL



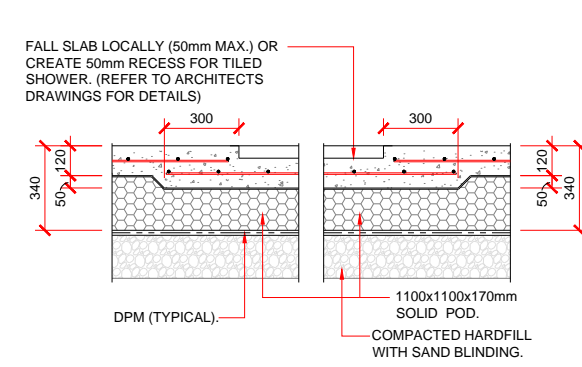
JOINERY REBATE DETAIL



SHOWER RECESS DETAIL - 140mm FRAMING.



SHOWER RECESS DETAIL - 90mm FRAMING.



SHOWER RECESS DETAIL.

MAXRAFT PLUS 340 DETAILS

DWG NO.

DATE : 2023