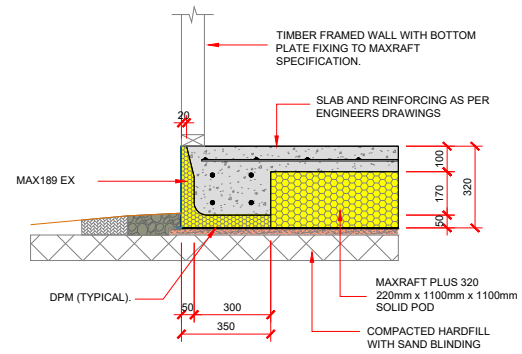
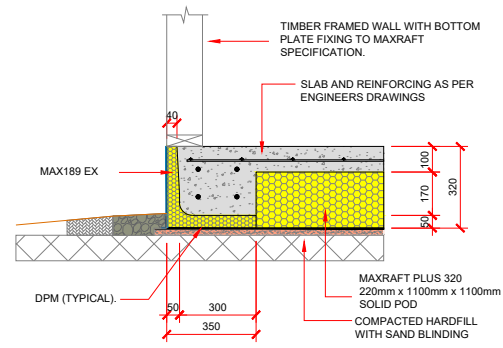


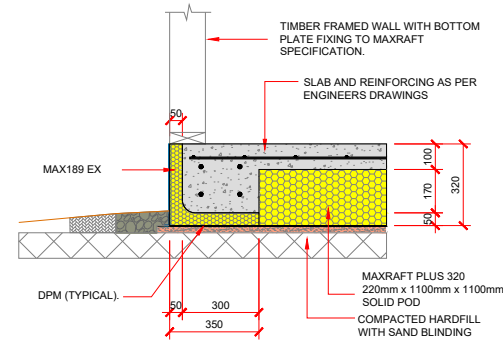
100mm CONCRETE + 220mm SOLID POD



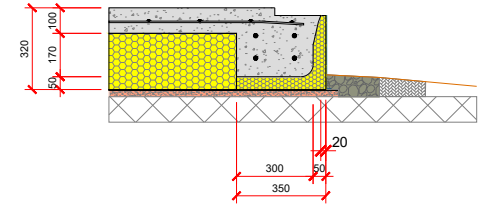
① STD MAXRAFT 320mm MAX189EX
20mm TAPERED - 90mm/140mm WALL FRAME



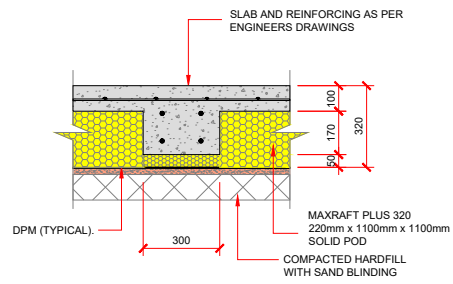
② STD MAXRAFT 320mm MAX189EX
40mm TAPERED - 140mm WALL FRAME



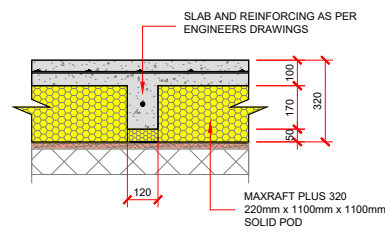
③ STD MAXRAFT 320mm MAX189EX
50mm STRAIGHT - 140mm WALL FRAME



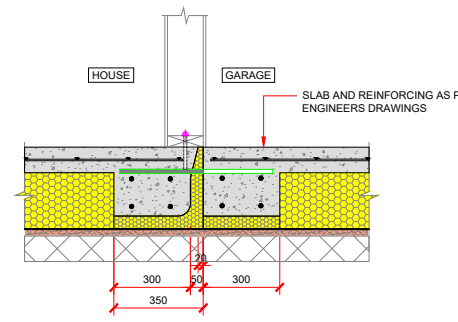
④ REBATE DETAIL



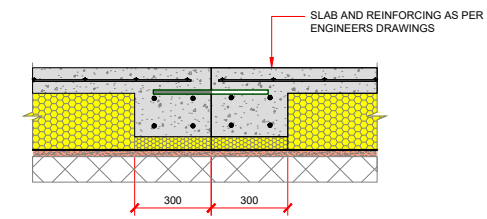
⑤ INTERNAL FOOTING DETAIL



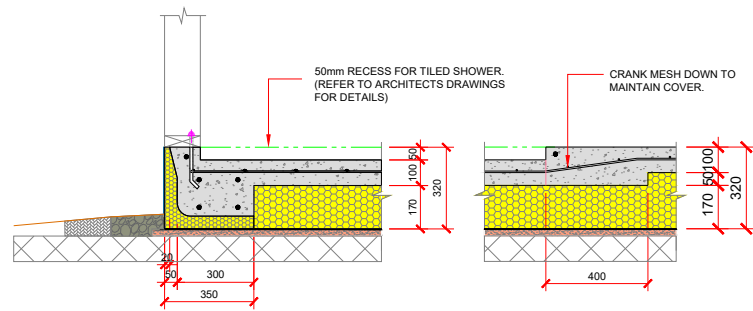
⑥ INTERNAL RIB DETAIL



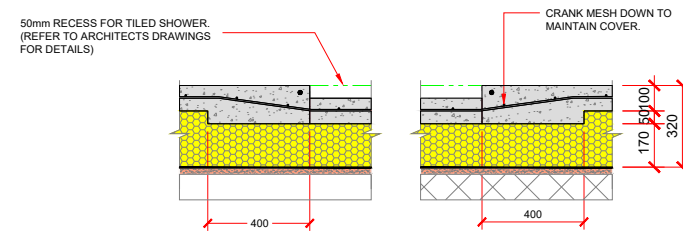
⑦ THERMAL BREAK



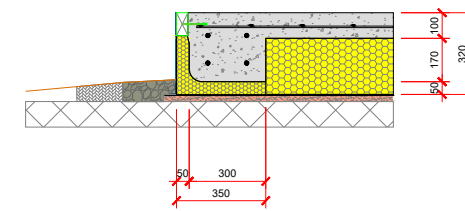
⑧ FREE JOINT



⑨ SHOWER RECESS DETAIL - 1



⑩ SHOWER RECESS DETAIL - 2



⑪ WANZ BAR FIXING DETAIL

SHEET TITLE: MAXRAFT PLUS 320 DETAILS

DRAWN: Ivy
DWG NO.

DATE : 2022