

**NOTES:**

1. This proprietary pool fence complies with New Zealand Building Code B1, F2 and NZS 8500:2006 Safety Barriers and Fences Around Swimming Pools, Spas and Hot Tubs, subject to:

- all products meeting the required performance specification
- site installation carried out in accordance with intent of this drawing
- minimum fence height of 1200mm from finished floor level
- pool fence does not safeguard a fall of a metre or more

2. Based on 330 N point load from NZS 8500:2006, maximum fence height for wind zones and Pradis clamp spacings are:

Wind zones:

Medium	1350 mm
High	1250mm

Pradis clamp spacings:

- Concrete, steel or bolted through timber - 800mm
- Lagscrews with Sika Anchorfix 3 - 600 mm

3. Viridian glass options are:

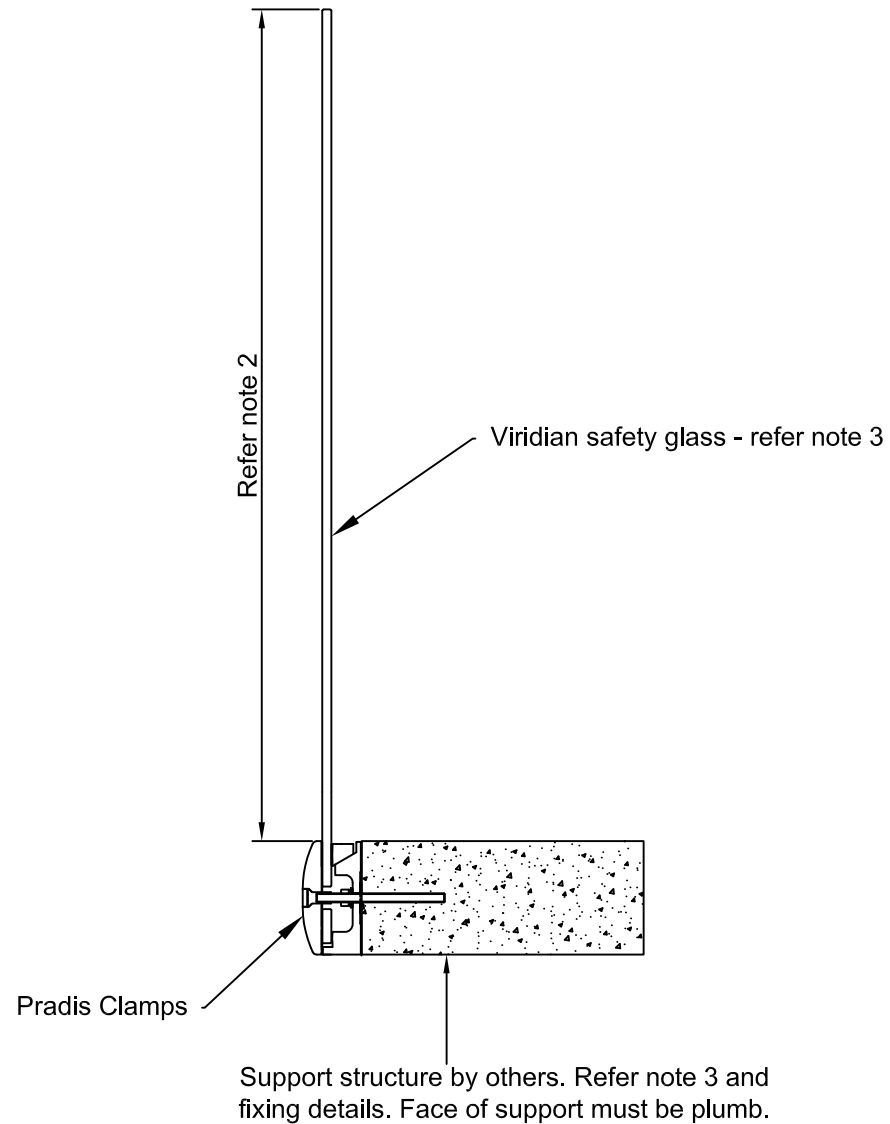
- a. 12mm toughened safety glass
- b. 13.52mm toughened SentryGlas laminated safety glass

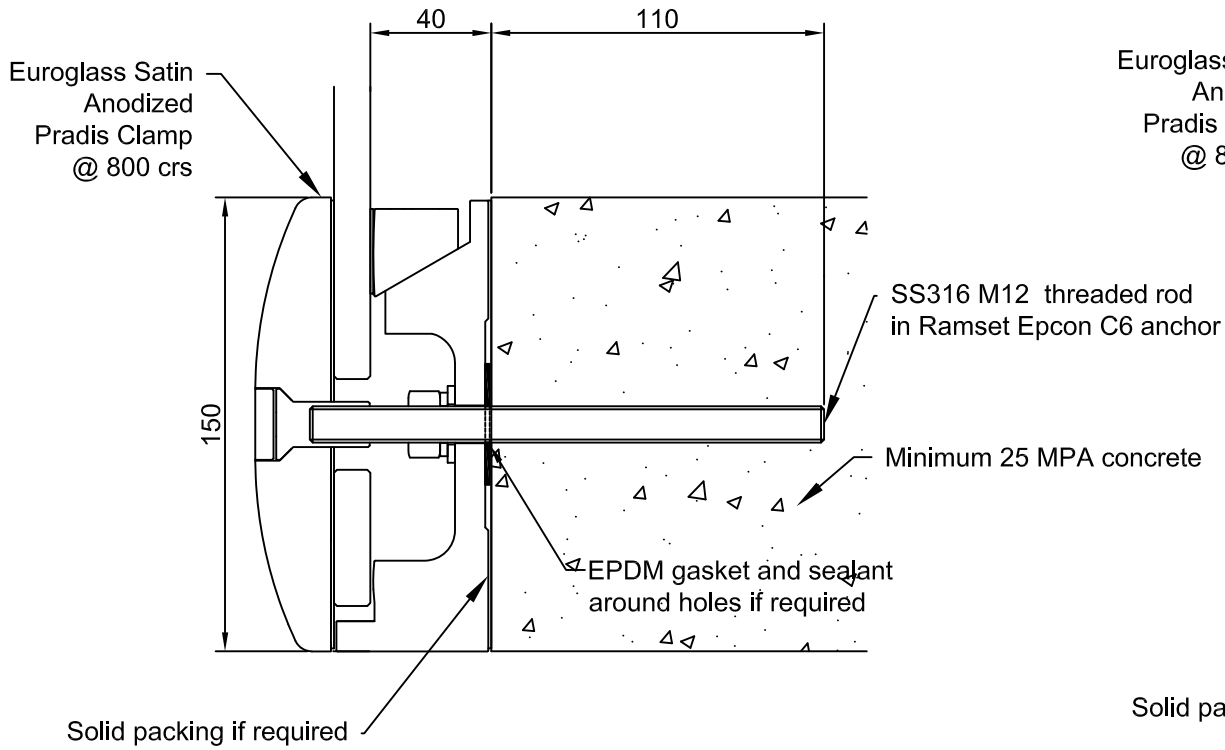
To make allowance for the consequences of failure required by B1.3.4 of Building Code B1, glass option b should be selected.

4. The design of the concrete, steel or timber support for the balustrade is the responsibility of others.

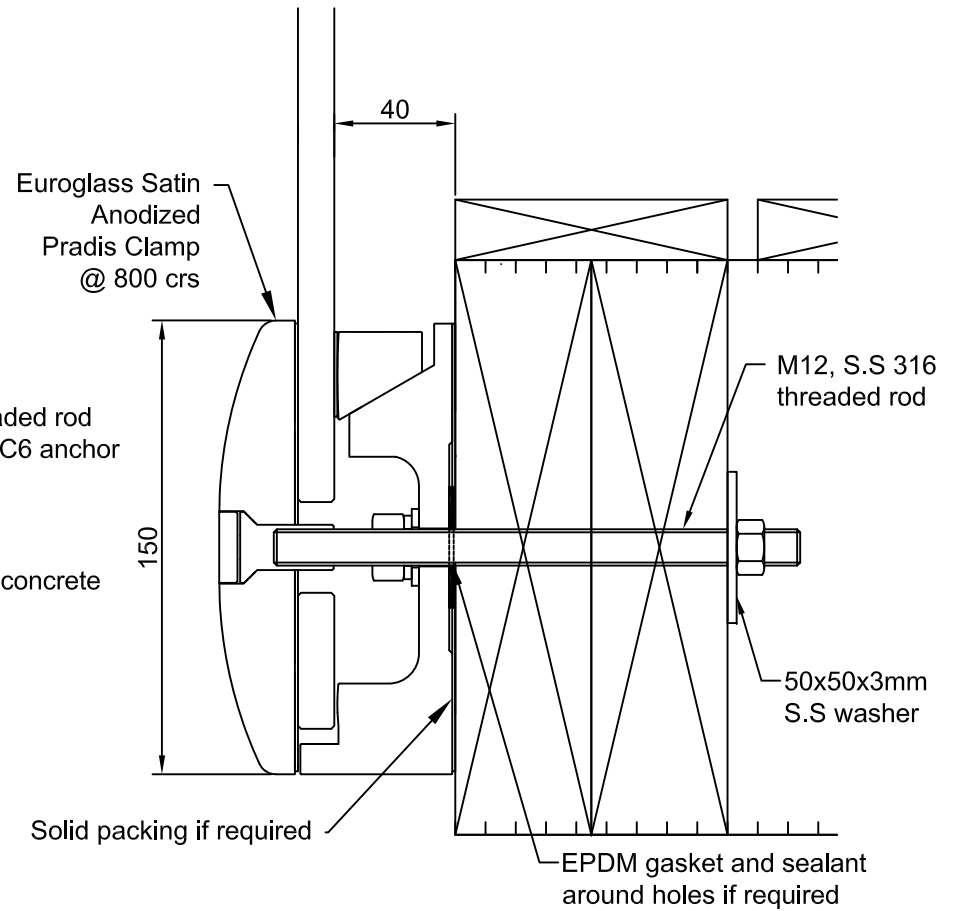
5. Minimum width of glass panel is 1000mm unless connected by interlinking corner brackets to adjacent panes or the building.

7. Maximum distance from side edge of glass to clamp is 200mm

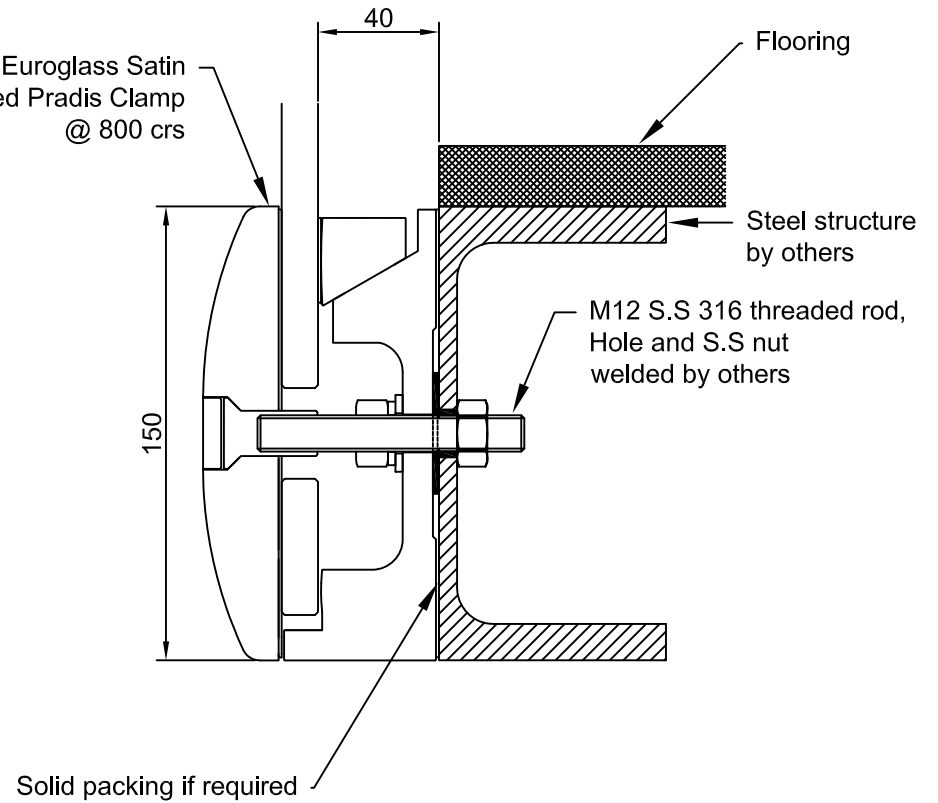
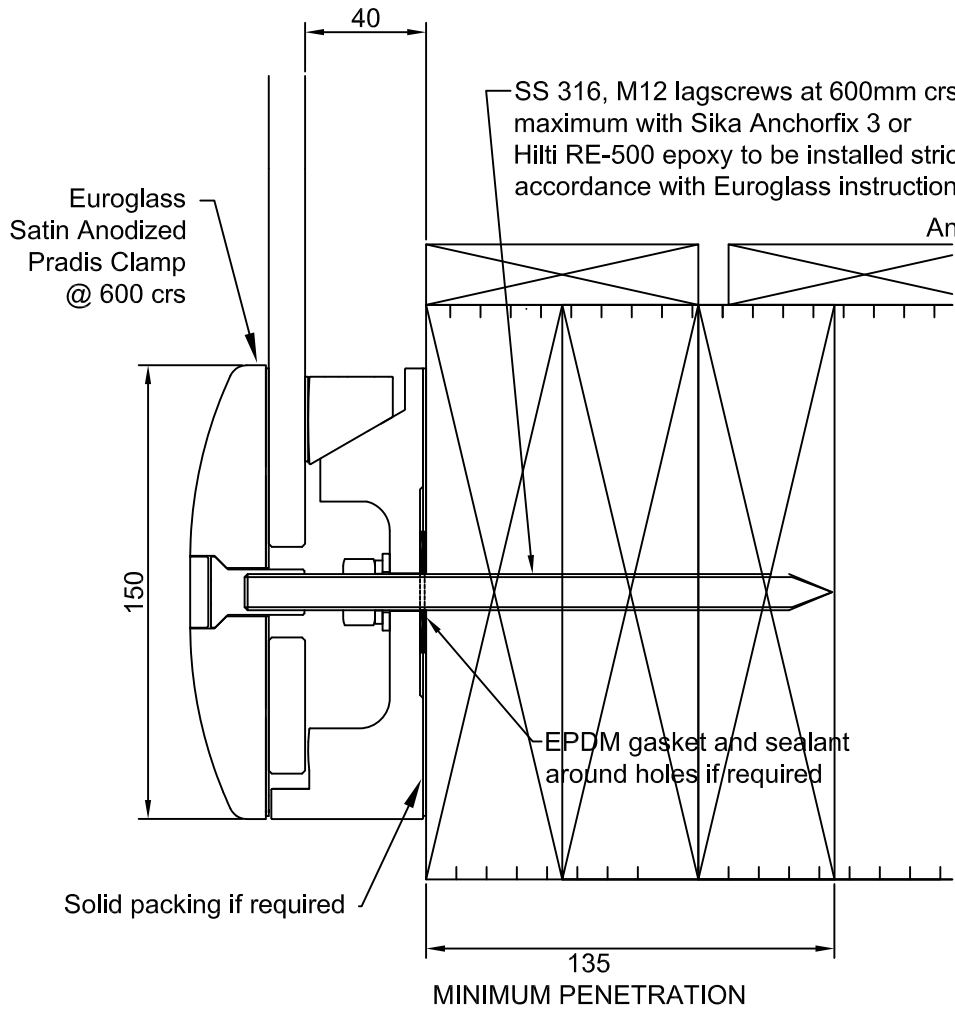




CONCRETE



BOLT THROUGH SG8 TIMBER



WET EXPOSED SG8 TIMBER