

NOTES:

1. This pool fence or wind break complies with New Zealand Building Code Compliance Documents B1 Structure & F2 Hazardous Building Materials subject to:

- all products meeting the required performance specification
- site installation carried out in accordance with intent of this drawing

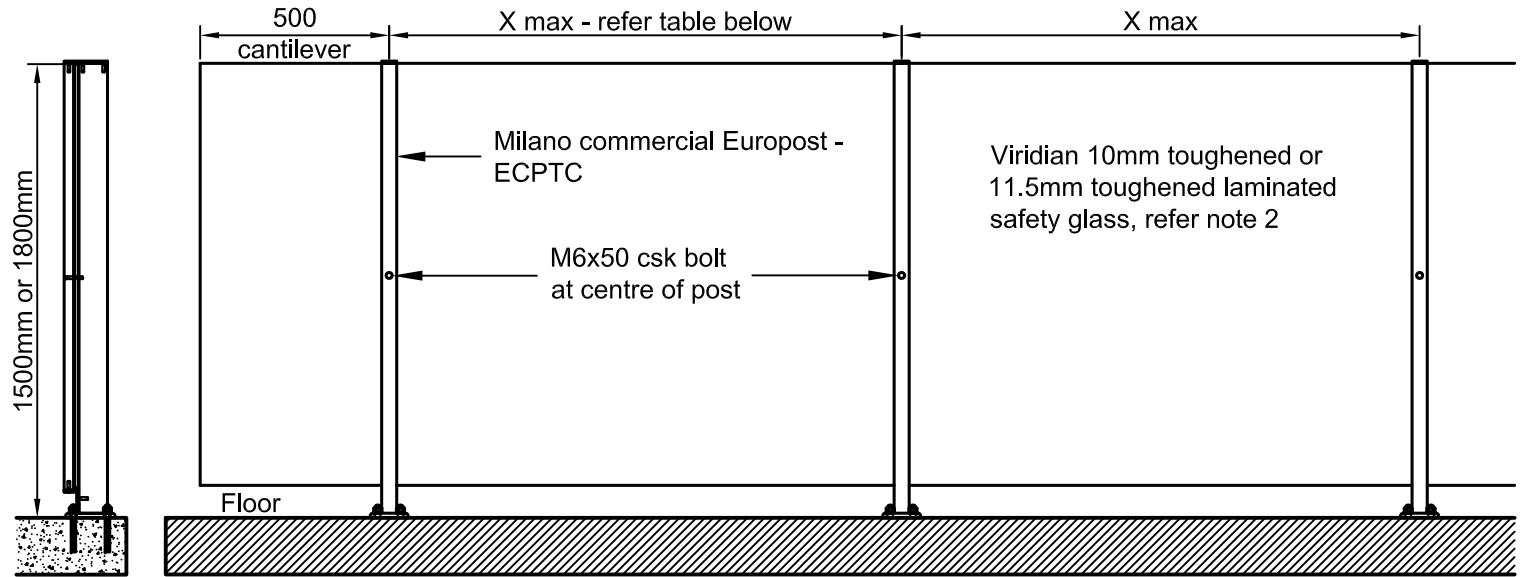
2. This design is based on wind zones and Viridian 10mm toughened or 11.5mm toughened laminated safety glass.

3. Concrete design is the responsibility of others.

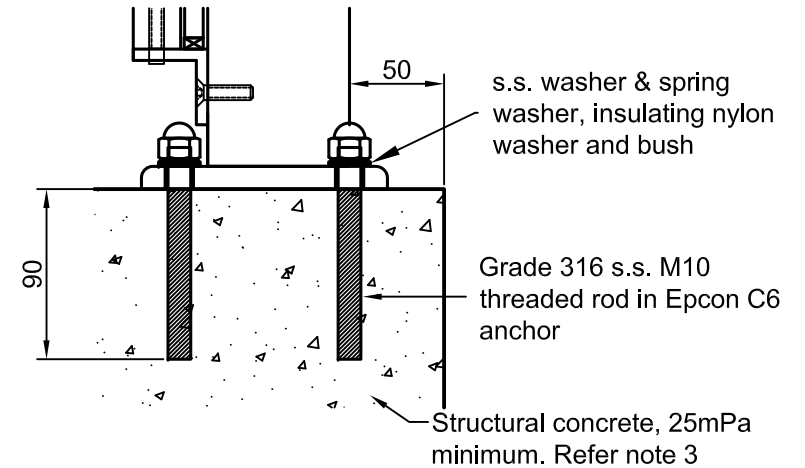
4. This pool fence or wind break can be used to safeguard a fall of a metre or more provided the occupancy is A(other) or C3, and the posts are no further than 1650mm apart.

5. Refer to Euroglass installation instructions for Milano Europosts.

This post is protected by Design Registration # 413097 in New Zealand



Wind Zone, Height & Maximum Spacing of Milano Commercial Europosts		
Wind zone	Height	X max
Low	1500	2350
	1800	2200
Medium	1500	2150
	1800	1700
High	1500	1600
	1800	1200
Very high	1500	1200
	1800	900



A division of Viridian Glass Ltd Partnership

POOL FENCE / WIND BREAK WITH MILANO COMMERCIAL EUROPOSTS

date 20-1-16

drawing no

scale 1:20 & 1:4

MEWB-1a

NOTES:

1. This pool fence or wind break complies with New Zealand Building Code Compliance Documents B1 Structure & F2 Hazardous Building Materials subject to:

- all products meeting the required performance specification
- site installation carried out in accordance with intent of this drawing

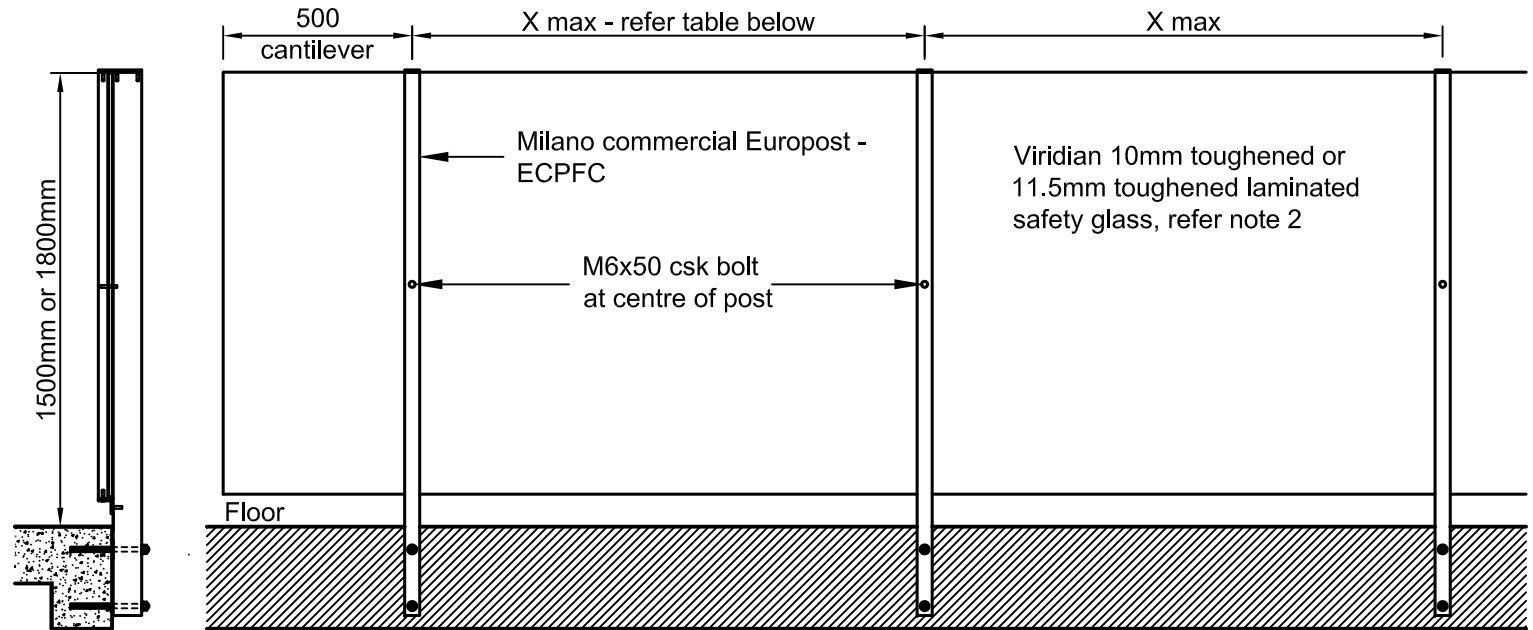
2. This design is based on wind zones, and Viridian 10mm toughened or 11.5mm toughened laminated safety glass.

3. Concrete design is the responsibility of others.

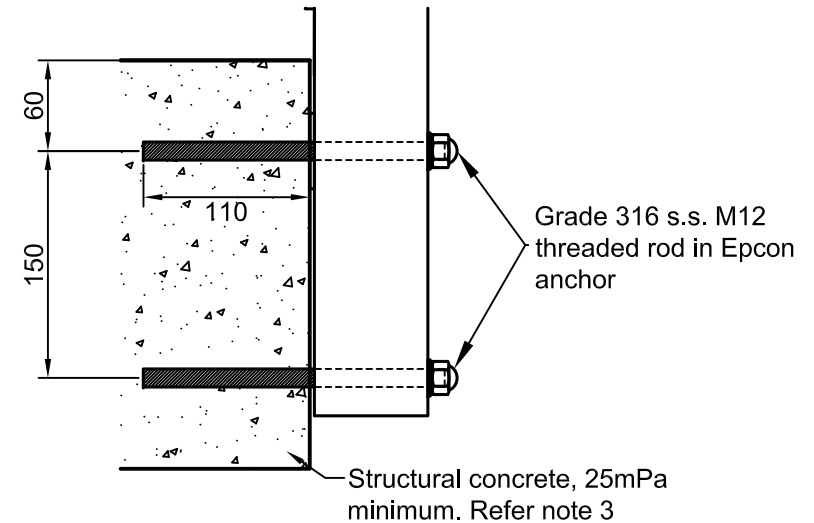
4. This pool fence or wind break can be used to safeguard a fall of a metre or more provided the occupancy is A(other) or C3, and the posts are no further than 1650mm apart.

5. Refer to Euroglass installation instructions for Milano Europosts.

This post is protected by Design Registration # 413097 in New Zealand



Wind Zone, Height & Maximum Spacing of Milano Commercial Europosts		
Wind zone	Height	X max
Low	1500	2350
	1800	2200
Medium	1500	2150
	1800	1700
High	1500	1600
	1800	1200
Very high	1500	1200
	1800	900



A division of Viridian Glass Ltd Partnership

POOL FENCE / WIND BREAK WITH MILANO COMMERCIAL EUROPOSTS

date 20-1-16

drawing no

scale 1:20 & 1:4

MEWB-2a

NOTES:

1. This pool fence or wind break complies with New Zealand Building Code Compliance Documents B1 Structure & F2 Hazardous Building Materials subject to:

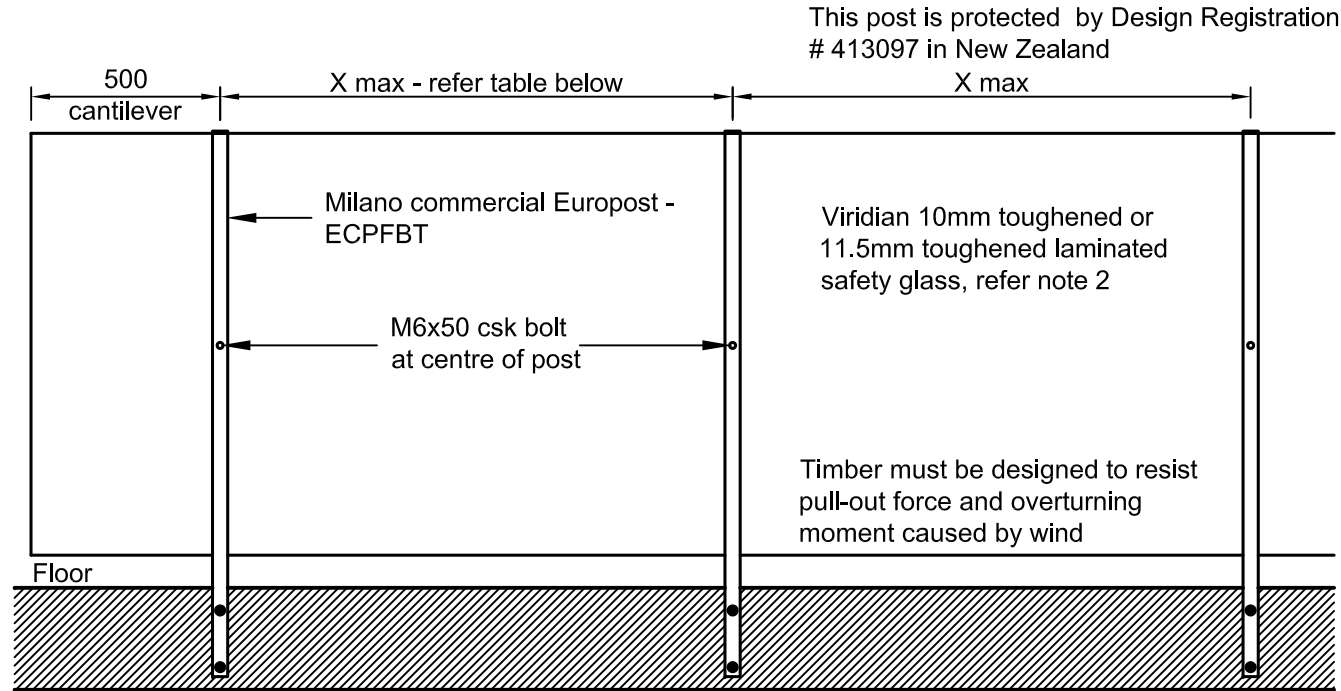
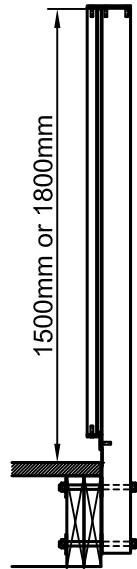
- all products meeting the required performance specification
- site installation carried out in accordance with intent of this drawing

2. This design is based on wind zones and Viridian 10mm toughened or 11.5mm toughened laminated safety glass.

3. Timber design is the responsibility of others. Timber must be able to resist pull-out force and overturning moment caused by wind.

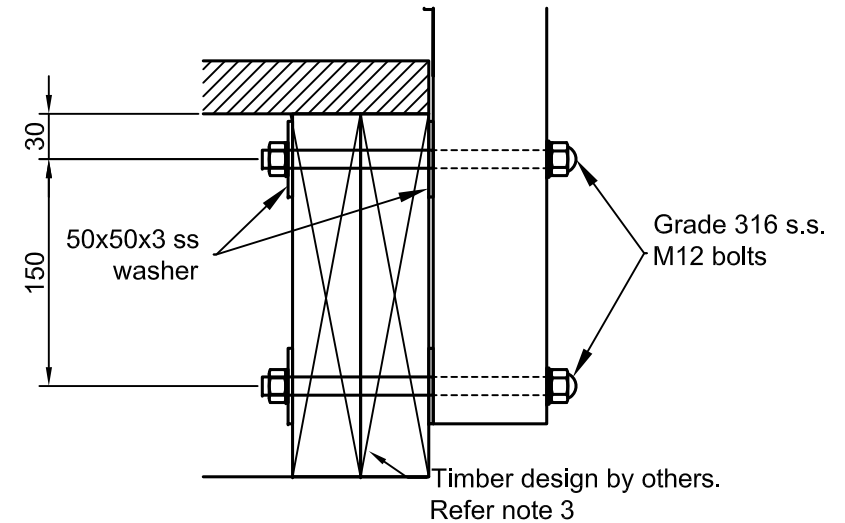
4. This pool fence or wind break can be used to safeguard a fall of a metre or more provided the occupancy is A(other) or C3, and the posts are no further than 1650mm apart.

5. Refer to Euroglass installation instructions for Milano Europosts.



This post is protected by Design Registration # 413097 in New Zealand

Wind Zone, Height & Maximum Spacing of Milano Commercial Europosts		
Wind zone	Height	X max
Low	1500	2350
	1800	2200
Medium	1500	2150
	1800	1700
High	1500	1600
	1800	1200
Very high	1500	1200
	1800	900



A division of Viridian Glass Ltd Partnership

POOL FENCE / WIND BREAK WITH MILANO COMMERCIAL EUROPOSTS

date 20-1-16

drawing no

scale 1:20 & 1:4

MEWB-3a