

**NOTES:**

1. This proprietary pool fence complies with New Zealand Building Code Compliance Documents B1 Structure, F2 Hazardous Building Materials and NZS 8500:2006 on Safety Barriers and Fences Around Swimming Pools, Spas and hot Tubs, subject to:

- all products meeting the required performance specification
- site installation carried out in accordance with intent of this drawing

2. Based on 330 N point load from NZS 8500:2006 and a height of 1200mm, Eurobrace mini post spacings for wind zones are provided in the table below.

3. Viridian glass options are:

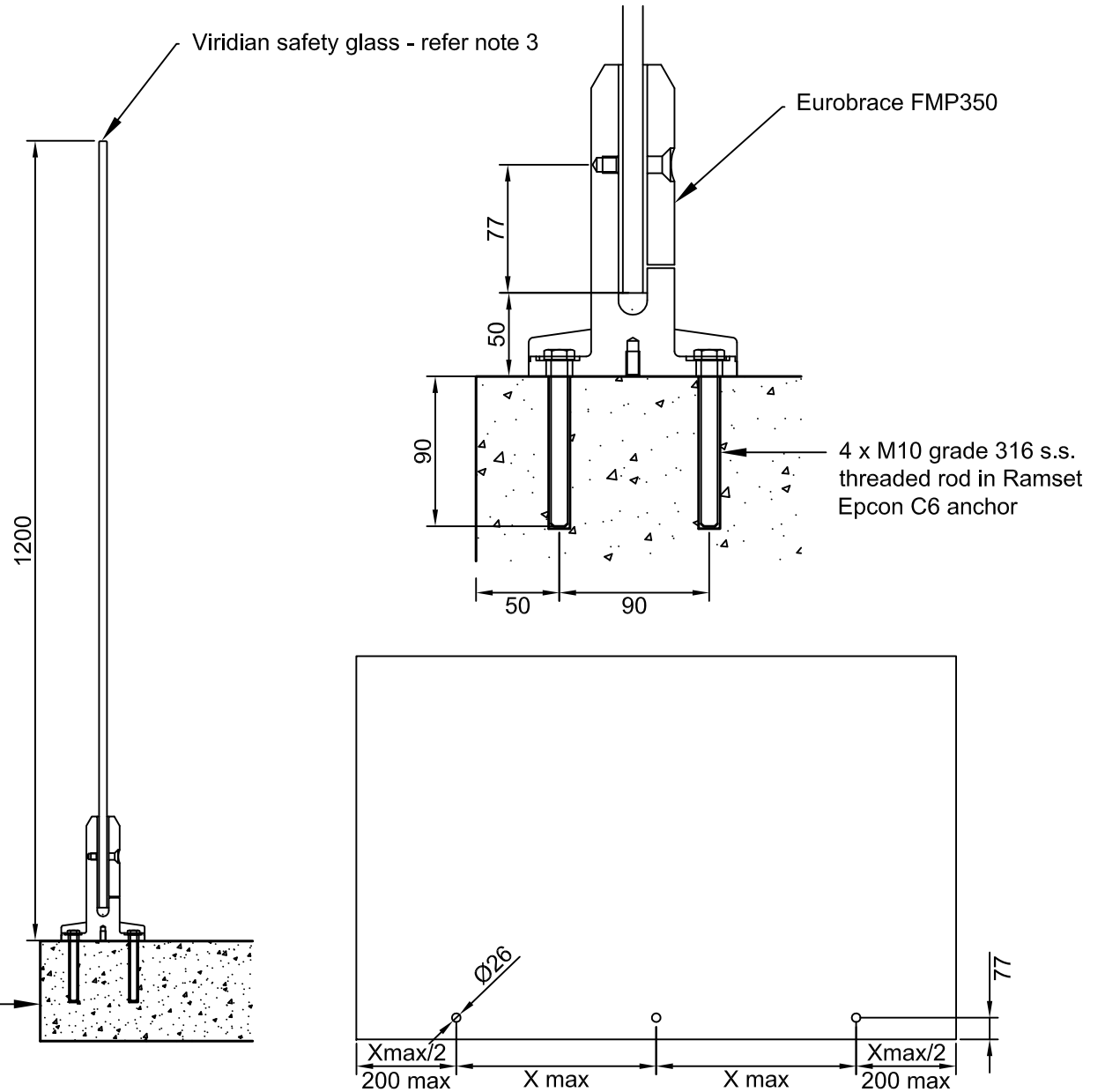
- a. 12mm toughened safety glass
- b. 13.52mm toughened SentryGlas laminated safety glass

4. Concrete design is the responsibility of others.

5. **Do not use this design if the pool fence protects a fall of 1 metre or more. Please contact Euroglass for specific design.**

Wind Zone and Maximum Spacing of Eurobrace FMP250	
Wind zone	X max
Low 0.72 kPa	700
Medium 0.96 kPa	500
High 1.36 kPa	380
Very high 1.76 kPa	300

Concrete design by others.  
Refer note 4.



A division of Viridian Glass Ltd Partnership

**POOL FENCE WITH EUROBRACE FMP MINI POSTS**

date 12-1-16

scale 1:10, 1:4

drawing no

**EBPF-1c**

**NOTES:**

1. This proprietary pool fence complies with New Zealand Building Code Compliance Documents B1 Structure, F2 Hazardous Building Materials and NZS 8500:2006 on Safety Barriers and Fences Around Swimming Pools, Spas and hot Tubs, subject to:

- all products meeting the required performance specification
- site installation carried out in accordance with intent of this drawing

2. Based on 330 N point load from NZS 8500:2006 and a height of 1200mm, Eurobrace mini post spacings for wind zones are provided in the table below.

3. Viridian glass options are:

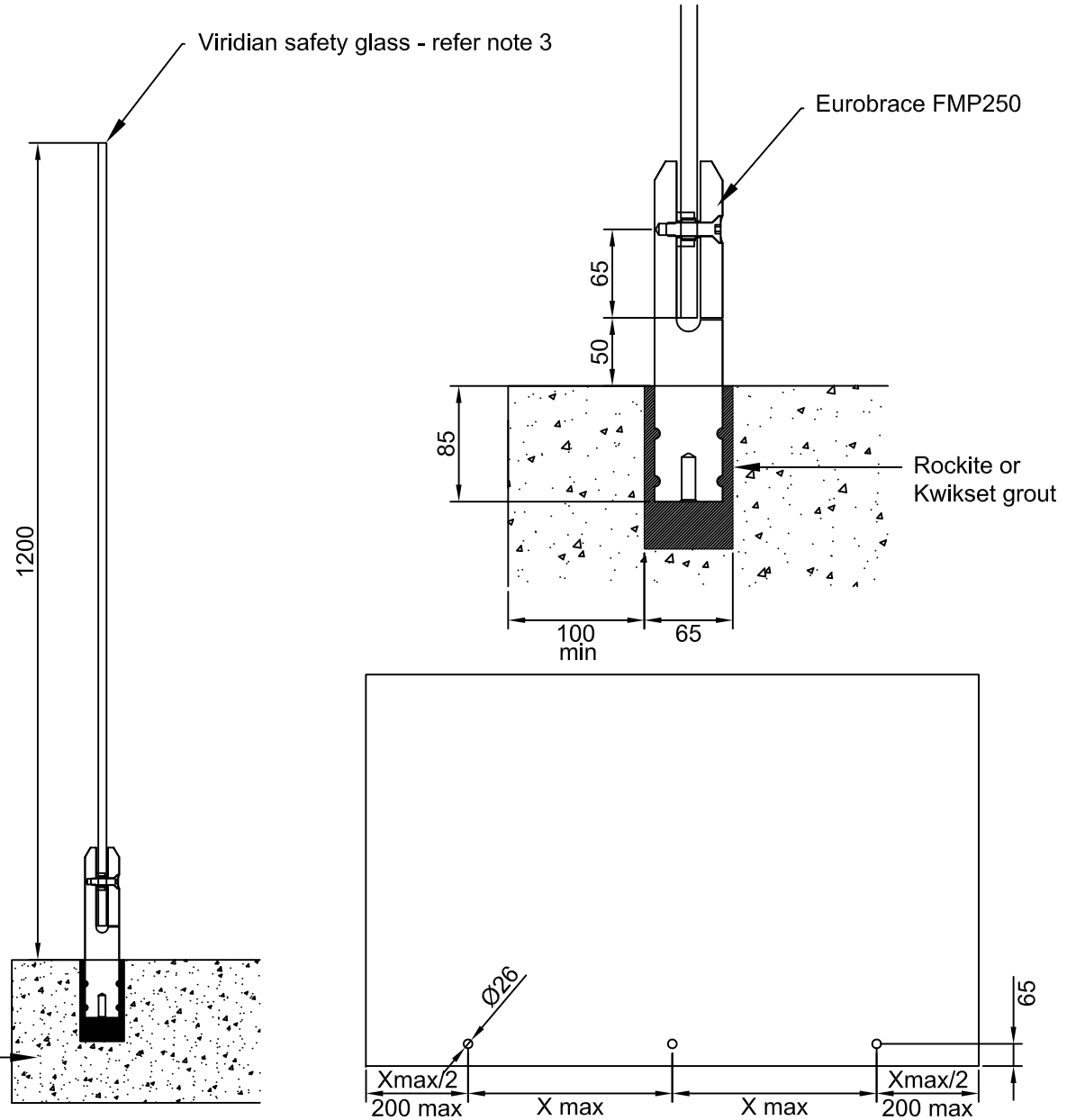
- a. 12mm toughened safety glass
- b. 13.52mm toughened SentryGlas laminated safety glass

4. Concrete design is the responsibility of others. Rocktite or Kwikset to manufacturer's instructions.

5. **Do not use this design if the pool fence protects a fall of 1 metre or more. Please contact Euroglass for specific design.**

Wind Zone and Maximum Spacing of Eurobrace FMP250	
Wind zone	X max
Low 0.72 kPa	700
Medium 0.96 kPa	500
High 1.36 kPa	380
Very high 1.76 kPa	300

Structural concrete.  
Refer note 4.



A division of Viridian Glass Ltd Partnership

**POOL FENCE WITH EUROBRACE FMP MINI POSTS**

date  
12-1-16

scale  
1:10, 1:4

drawing no

**EBPF-2b**

