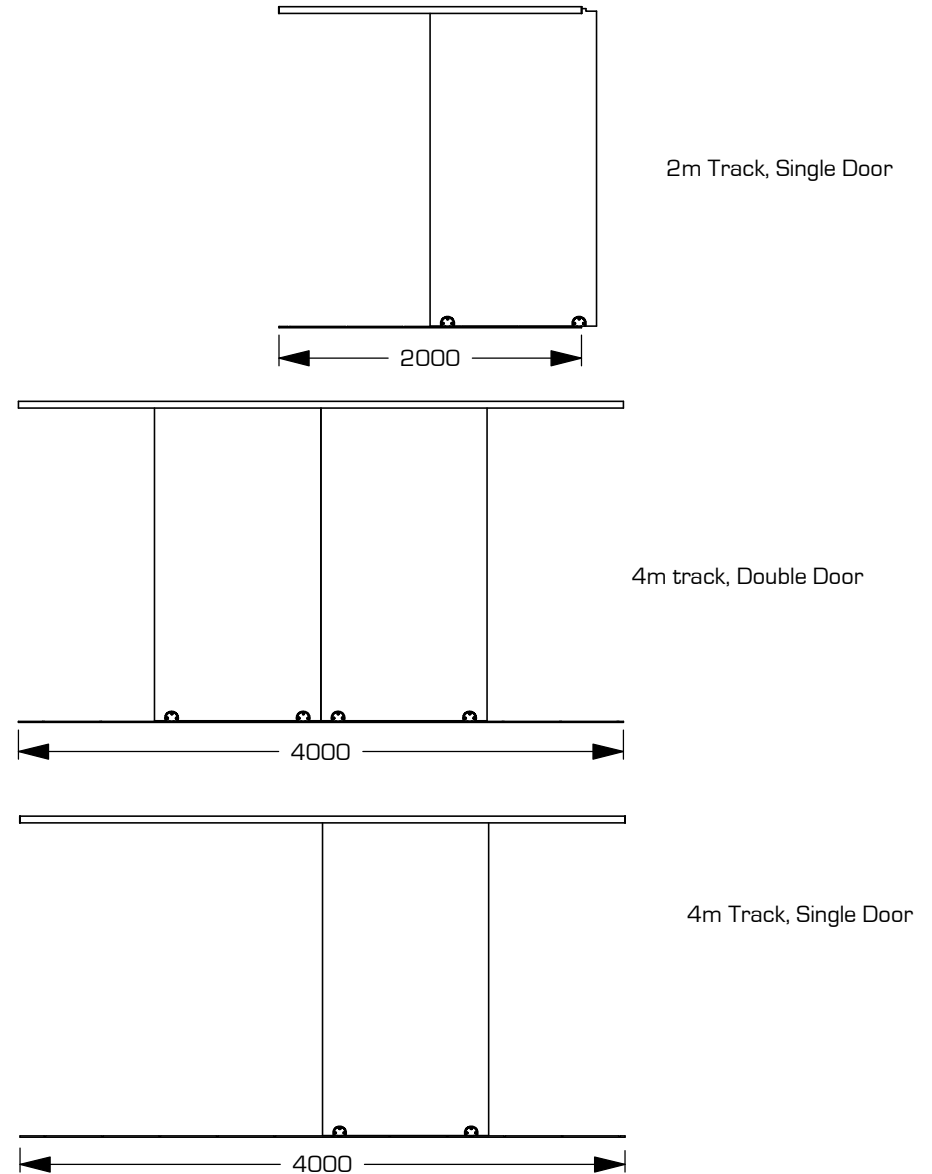
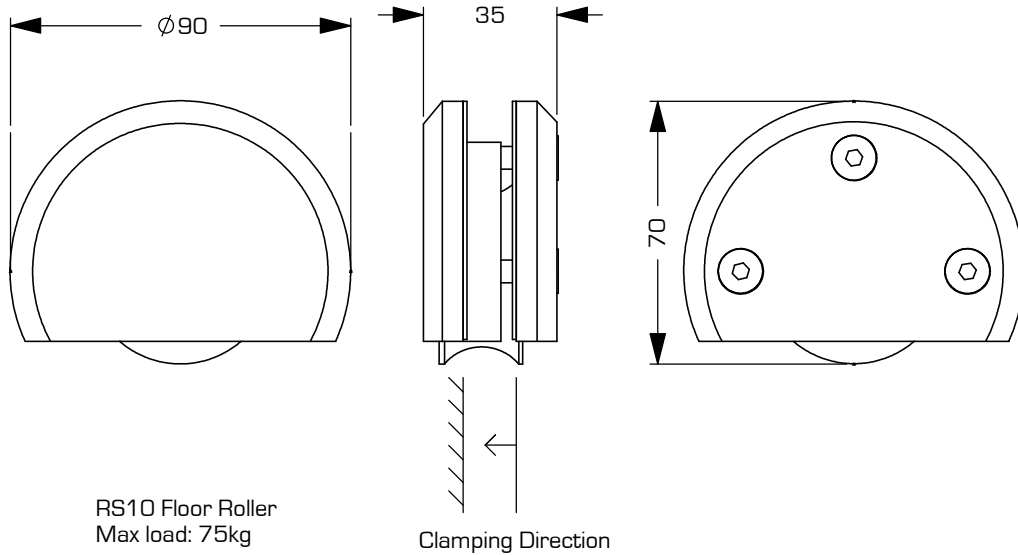


Search Name	Description	Finish
RS10-2SDPS	RS10 2m Track Single Door Kit	Polished
RS10-2SDSS	RS10 2m Track Single Door Kit	Satin
RS10-4SDPS	RS10 4m Track Single Door Kit	Polished
RS10-4SDSS	RS10 4m Track Single Door Kit	Satin
RS10-4DDPS	RS10 4m Track Double Door Kit	Polished
RS10-4DDSS	RS10 4m Track Double Door Kit	Satin



© COPYRIGHT 2010

This drawing and or specification is the property of Euroglass Systems Ltd - and must be returned to them on request. Unauthorised use may result in Legal Action. Its contents must not be made public, nor copied, nor used directly or indirectly in any way.

Tolerance (Unless otherwise stated)

Dec place 0.00 ±0.1mm  
 0.0 ±0.2mm  
 0 ±0.5mm  
 Angular: ±0.5°

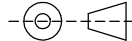
Special Instructions:

Remove all burrs & sharp edges.



65 Carr Road  
 Mt Roskill  
 Auckland  
 New Zealand  
 +694 624-1180

DRAWN IN  
 THIRD ANGLE  
 PROJECTION



Material: See component drawings

Finish: Polished Rollers  
 Satin Rollers

REV	MODIFICATIONS	DATE
A	First Drawn	17/05/11
-	-	-
-	-	-
-	-	-
-	-	-
-	-	-

Drawn:  
 G.Bourne

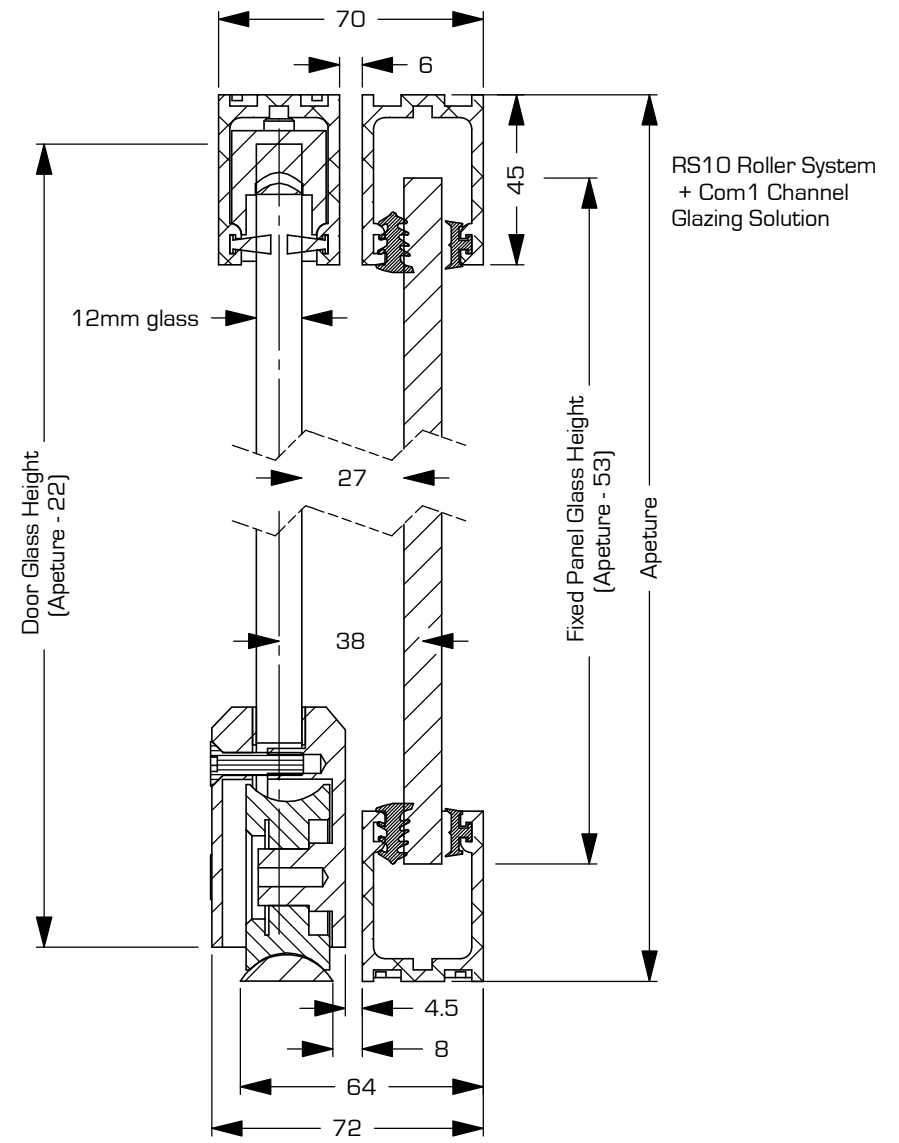
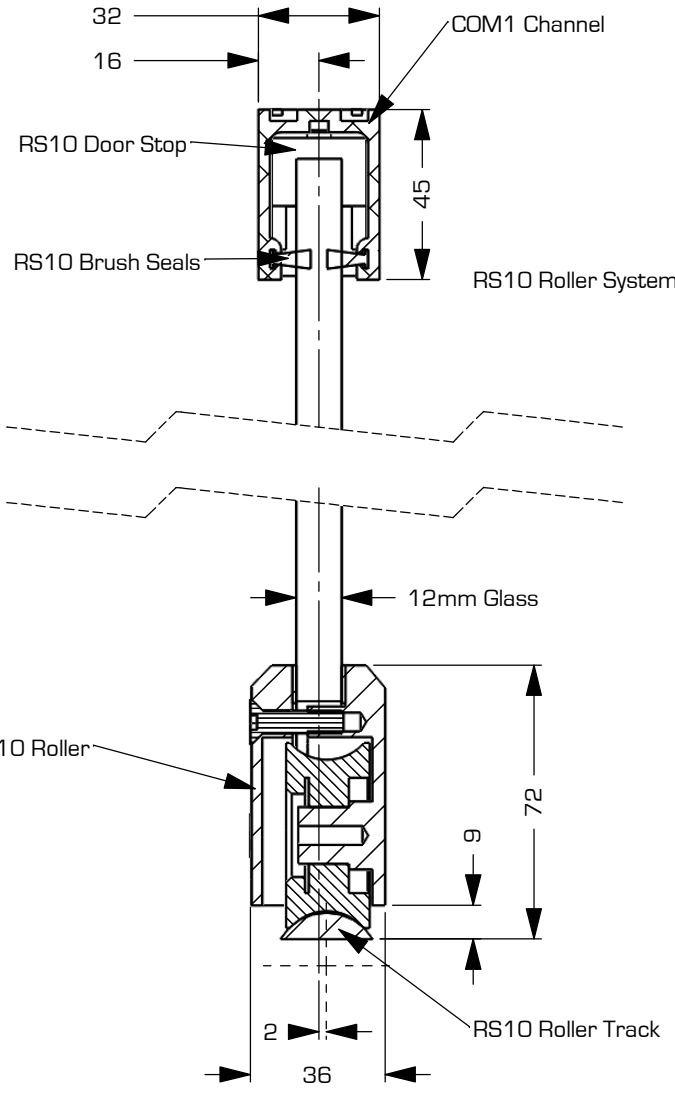
Date:  
 17/05/11

Scale (A4): 1:50

Part Name:  
 RS10 Sliding System

Drawing No.  
 1022-2

Sheet:  
 1 of 6



© COPYRIGHT 2010

This drawing and or specification is the property of Euroglass Systems Ltd - and must be returned to them on request. Unauthorised use may result in Legal Action. Its contents must not be made public, nor copied, nor used directly or indirectly in any way.

Tolerance (Unless otherwise stated)

Dec place 0.00 ±0.1mm  
 0.0 ±0.2mm  
 0 ±0.5mm  
 Angular ±0.5°

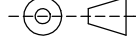
Special Instructions:

Remove all burrs & sharp edges.



65 Carr Road  
 Mt Roskill  
 Auckland  
 New Zealand  
 +694 624-1180

DRAWN IN  
 THIRD ANGLE  
 PROJECTION



Material: See component drawings

Finish: Polished Rollers  
 Satin Rollers

REV	MODIFICATIONS	DATE
A	First Drawn	17/05/11
-	-	-
-	-	-
-	-	-
-	-	-

Drawn: P. Wood-Stotesbury

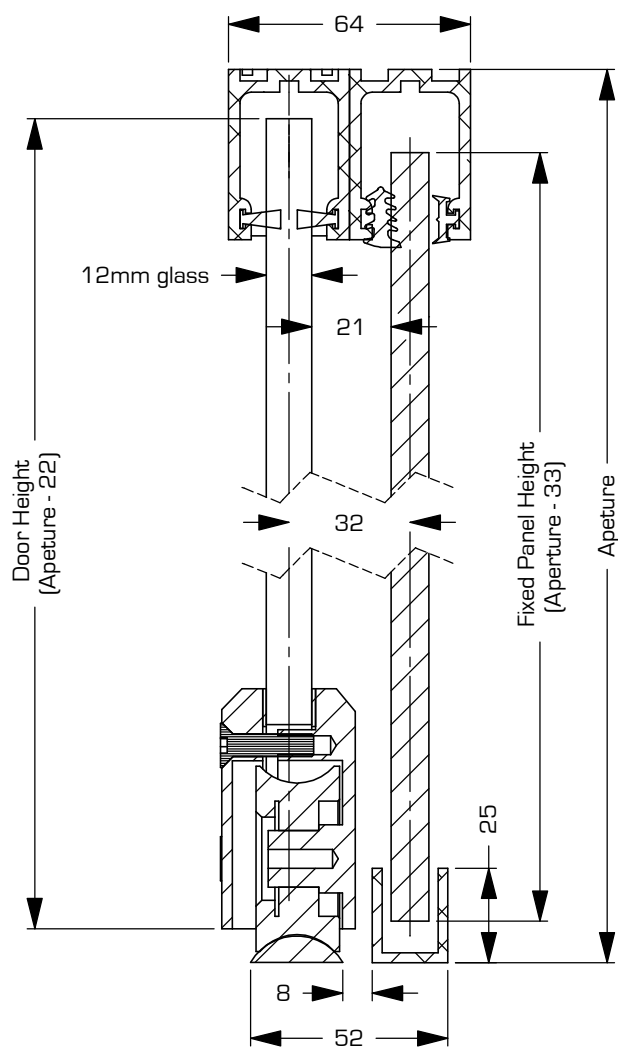
Date: 17/05/11

Scale (A4): 1:50

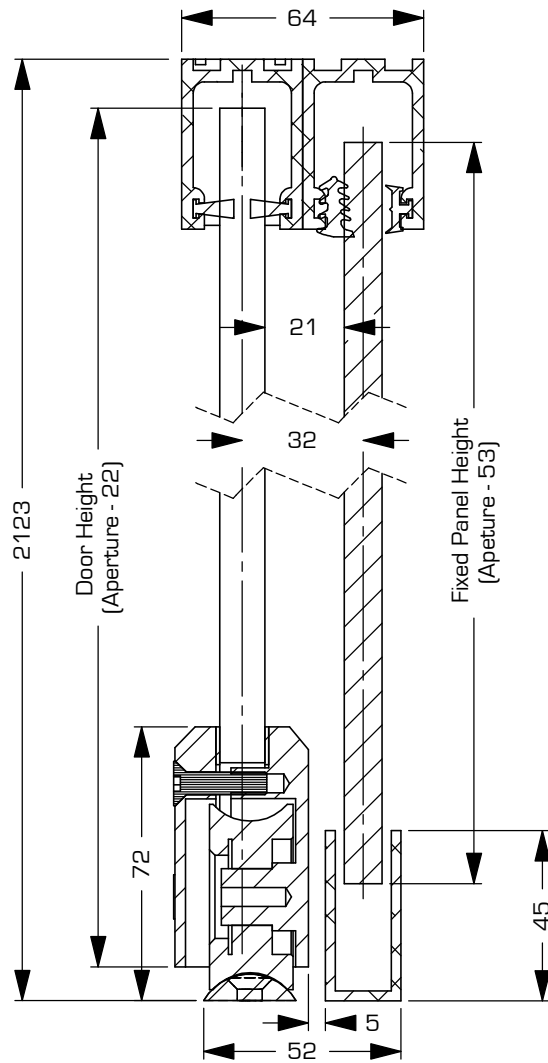
Part Name:  
 RS10 Sliding System

Drawing No.  
 1022-2

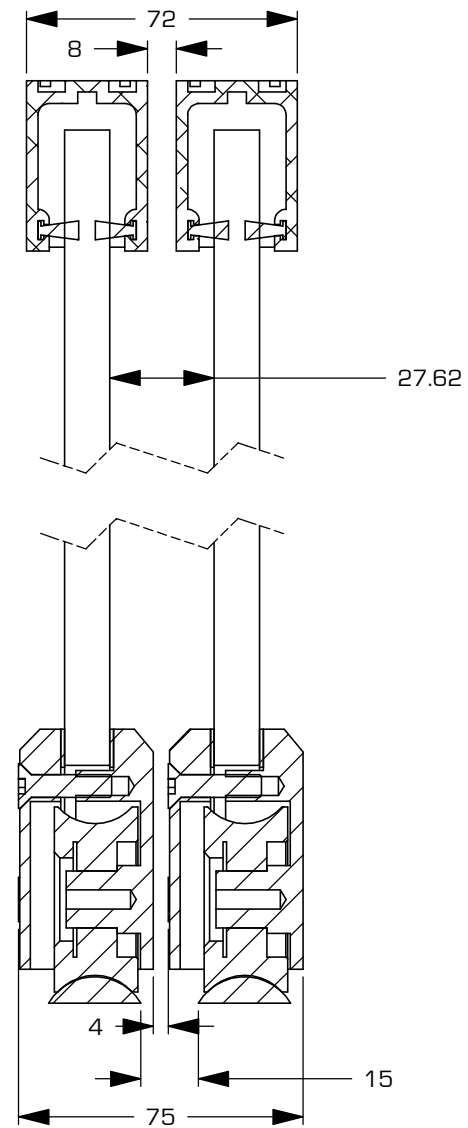
Sheet:  
 2 of 6



RS10 Roller System  
+ Fixed Panel  
COM1 Top Channel  
CU25 Floor Channel



RS10 Roller System  
+ Fixed Panel  
COM1 Top Channel  
CU45 Floor Channel



Multiple RS10 Doors

© COPYRIGHT 2010

This drawing and or specification is the property of Euroglass Systems Ltd - and must be returned to them on request. Unauthorised use may result in Legal Action. Its contents must not be made public, nor copied, nor used directly or indirectly in any way.

Tolerance (Unless otherwise stated)

Dec place 0.00 ±0.1mm  
0.0 ±0.2mm  
0 ±0.5mm  
Angular: ±0.5°

Special Instructions:

Remove all burrs & sharp edges.

Material: See component drawings

Finish: Polished Rollers  
Satin Rollers

REV	MODIFICATIONS	DATE
A	First Drawn	17/05/11
-	-	-
-	-	-
-	-	-

Drawn: P. Wood-Stotesbury

Date: 17/05/11

Scale (A4): 1:50

Part Name: RS10 Sliding System

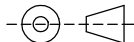
Drawing No. 1022-2

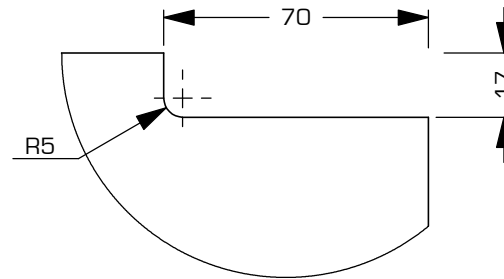
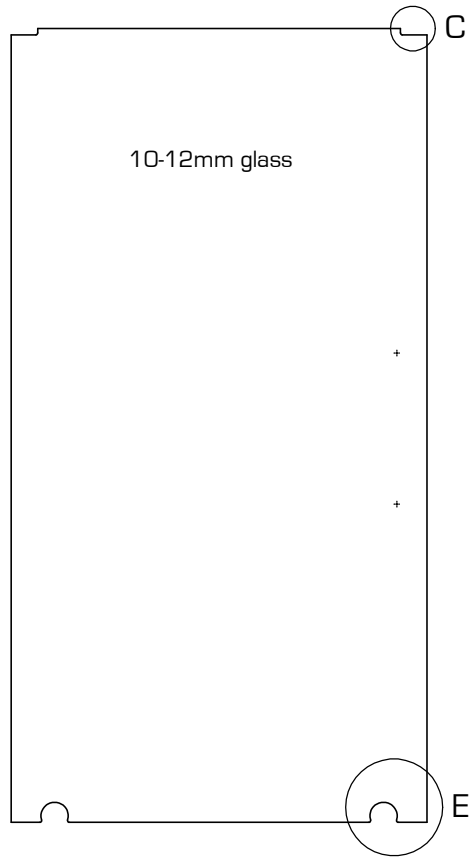
Sheet: 3 of 6

**euroglass**

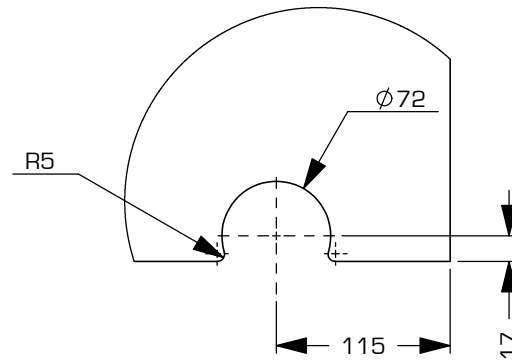
65 Carr Road  
Mt Roskill  
Auckland  
New Zealand  
+694 624-1180

DRAWN IN  
THIRD ANGLE  
PROJECTION





Door Stop Cutout (2 places)



Roller Cutout (2 places)

© COPYRIGHT 2010

This drawing and or specification is the property of Euroglass Systems Ltd - and must be returned to them on request. Unauthorised use may result in Legal Action. Its contents must not be made public, nor copied, nor used directly or indirectly in any way.

Tolerance (Unless otherwise stated)

Dec place 0.00 ±0.1mm  
 0.0 ±0.2mm  
 0 ±0.5mm  
 Angular ±0.5°

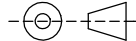
Special Instructions:

Remove all burrs & sharp edges.



65 Carr Road  
 Mt Roskill  
 Auckland  
 New Zealand  
 +694 624-1180

DRAWN IN  
 THIRD ANGLE  
 PROJECTION



Material: See component drawings

Finish: Polished Rollers  
 Satin Rollers

REV	MODIFICATIONS	DATE
A	First Drawn	17/05/11
-	-	-
-	-	-
-	-	-
-	-	-
-	-	-

Drawn:  
 G.Bourne

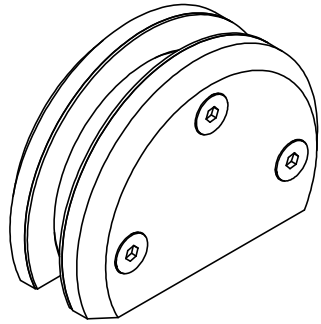
Date:  
 17/05/11

Scale (A4): 1:50

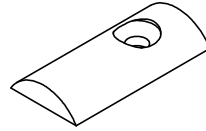
Part Name:  
 RS10 Sliding System

Drawing No.  
 1022-2

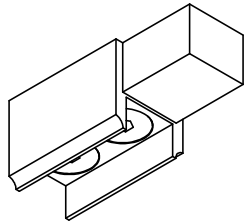
Sheet:  
 4 of 6



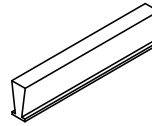
RS10 Roller



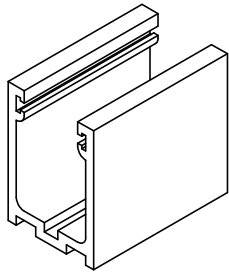
RS10 Roller Track



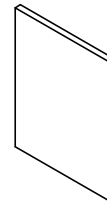
RS10 Stop  
for COM1 Channel



RS10 COM Channel Brush Seal



COM1 Channel



COM3 End Cap

© COPYRIGHT 2010

This drawing and or specification is the property of Euroglass Systems Ltd - and must be returned to them on request. Unauthorised use may result in Legal Action. Its contents must not be made public, nor copied, nor used directly or indirectly in any way.

Tolerance [Unless otherwise stated]

Dec place 0.00 ±0.1mm

0.0 ±0.2mm

0 ±0.5mm

Angular: ±0.5°

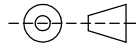
Special Instructions:

Remove all burrs & sharp edges.



65 Carr Road  
Mt Roskill  
Auckland  
New Zealand  
+694 624-1180

DRAWN IN  
THIRD ANGLE  
PROJECTION



Material: See component drawings

Finish: Polished Rollers  
Satin Rollers

REV	MODIFICATIONS	DATE
A	First Drawn	17/05/11
-	-	-
-	-	-
-	-	-
-	-	-
-	-	-

Drawn:  
P. Wood-Statesbury

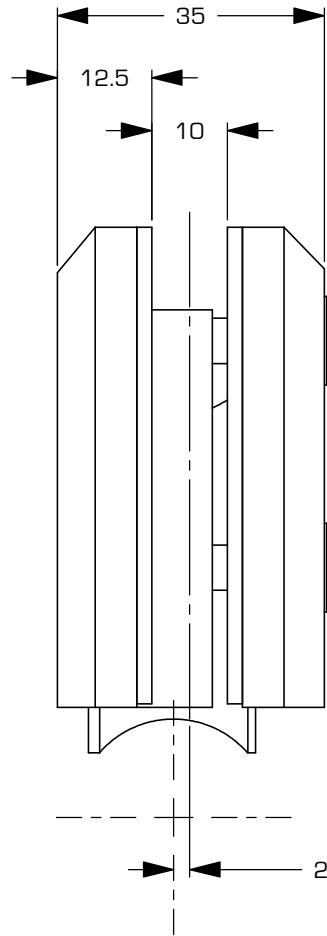
Date:  
17/05/11

Scale (A4): 1:2

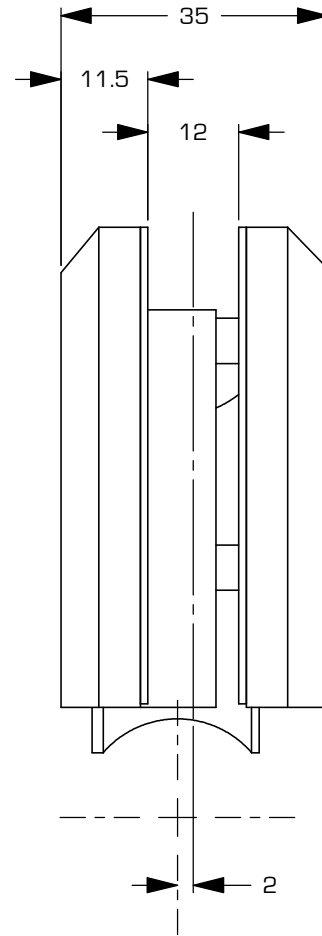
Part Name:  
RS10 Sliding System

Drawing No.  
1022-2

Sheet:  
5 of 6



10mm Glass



12mm Glass

© COPYRIGHT 2010

This drawing and or specification is the property of Euroglass Systems Ltd - and must be returned to them on request. Unauthorised use may result in Legal Action. Its contents must not be made public, nor copied, nor used directly or indirectly in any way.

Tolerance [Unless otherwise stated]

Dec place 0.00 ±0.1mm

0.0 ±0.2mm

0 ±0.5mm

Angular: ±0.5°

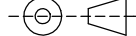
Special Instructions:

Remove all burrs & sharp edges.



65 Carr Road  
Mt Roskill  
Auckland  
New Zealand  
+694 624-1180

DRAWN IN  
THIRD ANGLE  
PROJECTION



Material: See component drawings

Finish: Polished Rollers  
Satin Rollers

REV	MODIFICATIONS	DATE
A	First Drawn	17/05/11
-	-	-
-	-	-
-	-	-
-	-	-
-	-	-

Drawn:  
P. Wood-Stotesbury

Date:  
17/05/11

Scale (A4): 1:1

Part Name:  
RS10 Sliding System

Drawing No.  
1022-2

Sheet:  
6 of 6