

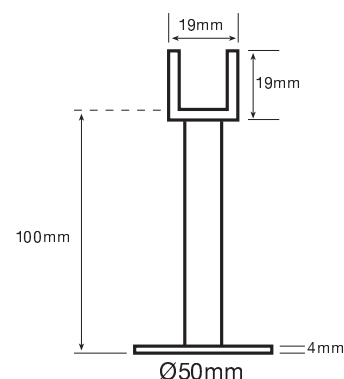
SSB100 Shower support bracket

AVAILABLE FINISHES

- Polished chrome
- Satin chrome
- Selected powdercoat, lead time applies

TECHNICAL DETAILS

Manufactured in solid brass
50mm diameter base and 19mm diameter leg
19 x 19 U channel
N.B. Standard 100mm height
Custom sizes up to 500mm height



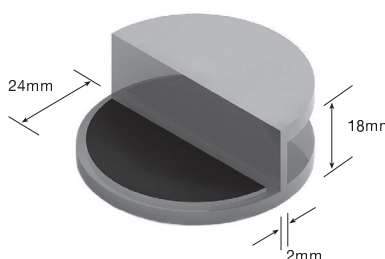
SB10STOP Shower door stop

AVAILABLE FINISHES

- Polished chrome
- Satin chrome
- Special finishes on request, lead time applies

TECHNICAL DETAILS

Manufactured in solid brass
Fixing to glass by teflon tipped grub screw
Glass stops against the rubber gasket shown
Suits 10mm glass



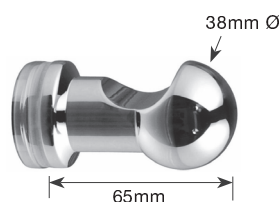
RH1 Robe hook

AVAILABLE FINISHES

- Polished chrome
- Satin chrome

TECHNICAL DETAILS

Manufactured in solid brass
10mm glass hole diameter



TRHG1 Toilet roll holder with glass bar

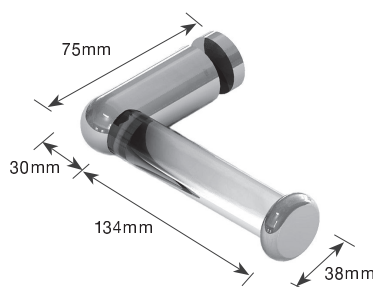
TRH1 Toilet roll holder with stainless steel bar

AVAILABLE FINISHES

- Polished chrome

TECHNICAL DETAILS

Manufactured in solid brass with
134mm x 25mm dia. glass or stainless steel rod
Glass hole diameter 10mm
Can be glue fixed (lead time applies)
Can be adapted to suit wall fixing (lead time applies)



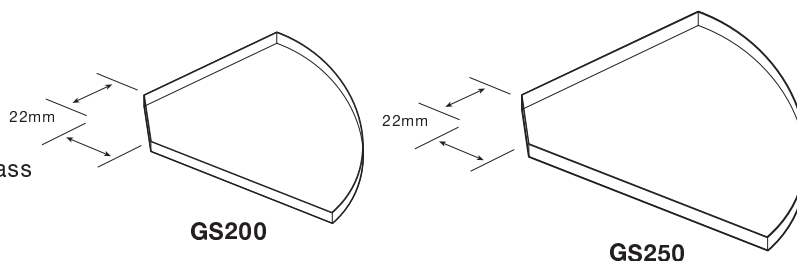
GS200CFL/GS200LOW and GS250CFL/GS250LOW Corner glass shelves

CORNER SHELVES

GS200 with 200mm radius
GS250 with 250mm radius

TECHNICAL DETAILS

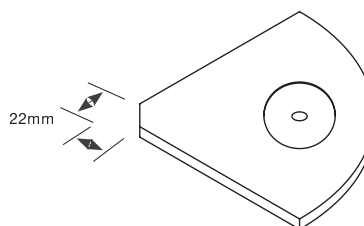
- Available in either 10mm toughened clear glass or 10mm toughened Diamant low iron glass



GS05 Corner glass shelf with soap recess

TECHNICAL DETAILS

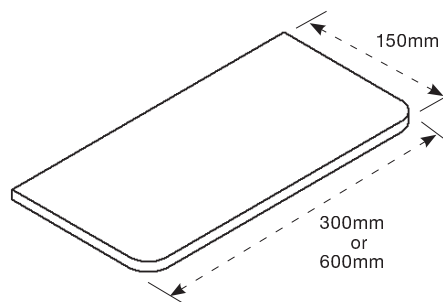
- 10mm toughened clear glass
- with soap recess
- 200mm radius



GS03/GS04 Rectangular glass shelf

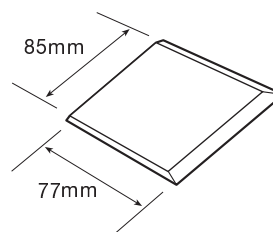
TECHNICAL DETAILS

- 10mm toughened clear glass
- radius corners
- GS03: 300mm x 150mm
- GS04: 600mm x 150mm



DISCONTINUED ITEM - WHILE STOCK LASTS - CHECK AVAILABILITY

SP1 Silicone spatula



PP1.5/PP2/PP3/PP4/PP5/PP6 Plastic packers

